

SRF-A100

SERVICE MANUAL



US Model
Canadian Model



SPECIFICATIONS

- Frequency range FM 87.6 - 108 MHz
AM 530 - 1,605 kHz (566 - 187 m)
- Antennas FM: Telescopic antenna or headphone cord antenna
AM: Built-in ferrite bar antenna
- Speaker Approx. 7.7 cm (3 1/8 inches) dia.
- Power output (at 10% harmonic distortion)
Speakers: 360 mW + 360 mW
Headphones: 40 mW + 40 mW
- Output Headphone jack (stereo minijack) for 32-ohm impedance headphones
- Power requirements 4.5V dc, three size AA batteries (IEC designation R6)
DC IN 4.5V jack accepts: Sony AC-120W ac power adaptor (optional) for use on 120V ac, 60 Hz
Sony DCC-127A car battery cord (optional) for use with 12V car battery
- Dimensions Approx. 228 x 100 x 38.5 mm (w/h/d)
(9 x 4 x 1 1/16 inches)
- Weight incl. projecting parts and controls
Approx. 620 g (1 lb 2 oz) incl. batteries

Battery life

You can expect the following batteries to last for the indicated number of hours, when listening four hours a day at a normal volume, through the built-in speakers or headphones.

	Speakers	Headphones
Eveready No. 1015 batteries	16	35
Eveready No. 1215 Heavy Duty batteries	28	61

(hour)

FM STEREO / AM STEREO RECEIVER

SONY®



If You Didn't Get This From My Site,
Then It Was Stolen From...
www.SteamPoweredRadio.Com

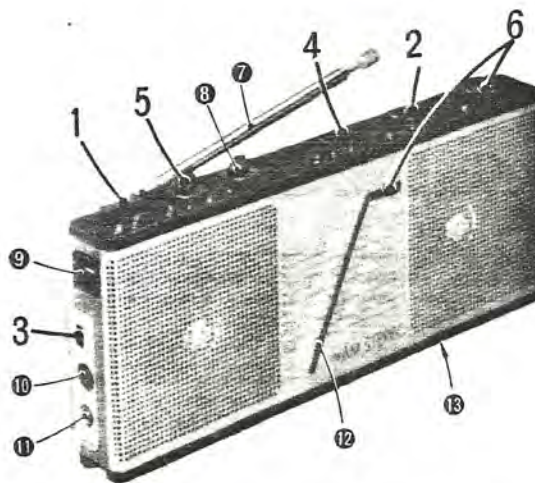
FEATURES

The Sony SRF-A100 is a compact size stereo receiver which allows you to enjoy listening to AM stereo broadcasting recently put into service. The receiver is capable of receiving for all four AM stereo broadcasting systems being used.

- AM BANDWIDTH/FM SENS (sensitivity) switch to obtain better reception from each station under different conditions.
- High-quality stereo sound from the two built-in speakers.
- The one-chip IC developed by Sony assures high sensitivity and high reliability.
- Listening with optional stereo headphones is possible.

HOW TO USE

Follow the steps 1 to 6 in sequence to tune in the station.



1 POWER switch

Depress to turn on the power (ON).
To turn the receiver off, press it again (OFF).

2 BAND selector

Select the desired band.

FM ST: For FM reception, set it to this position.

The receiver operates in stereo mode for FM stereo programs and will automatically switch to mono for monaural programs.

AM ST: For AM stereo program reception. The receiver operates in stereo mode for AM stereo programs.

AM: For AM monaural program reception. When it is hard to hear the AM stereo program due to noise, set it to this position.

3 AM ST MODE (AM stereo mode) selector

Set it to the appropriate position according to the AM stereo broadcasting system being used.

A: For Harris, Magnavox or Motorola System

B: For Kahn Hazeltine System

If you do not know which system is being used, you can determine the appropriate position of this selector by comparing the quality of the stereo reception at each position.

4 AM BANDWIDTH/FM SENS (sensitivity) selector

This 2-position selector has a dual purpose: the AM BANDWIDTH selector in AM reception, and the FM SENS selector in FM reception.

Normally set this selector to NORMAL/LOCAL.

For AM reception, when you want to enjoy the AM stereo program's high-quality sound, set it to WIDE.

For FM reception, if the reception is interrupted by adjacent station noise, set it to DISTANT.

5 VOLUME control

Turn it clockwise to get sound. After tuning, adjust the volume to your preference.

6 TUNING knob and TUNING indicator

Turn it to tune in the desired frequency observing the dial scale. When a signal is received, the TUNING indicator will light up.

7 Telescopic antenna

8 TONE control

Turn it to adjust the tone to your preference.

9 Carrying strap attachment

10 DC IN 4.5V (external power input) jack

The ac power adaptor or car battery cord can be connected to this jack.

11 PHONES jack (stereo minijack)

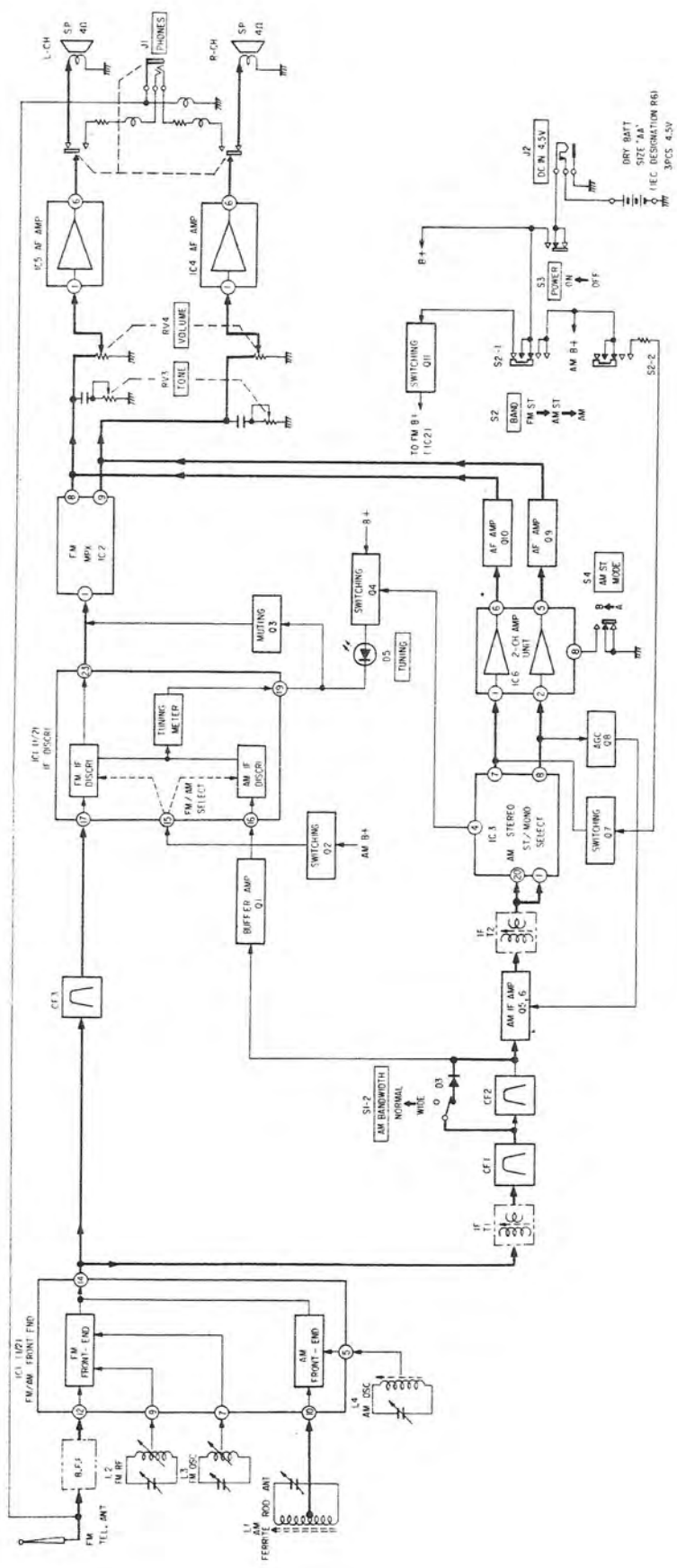
For listening with optional headphones.

12 Dial scale

13 Battery compartment (bottom)

SECTION 1
OUTLINE

1-1. BLOCK DIAGRAM

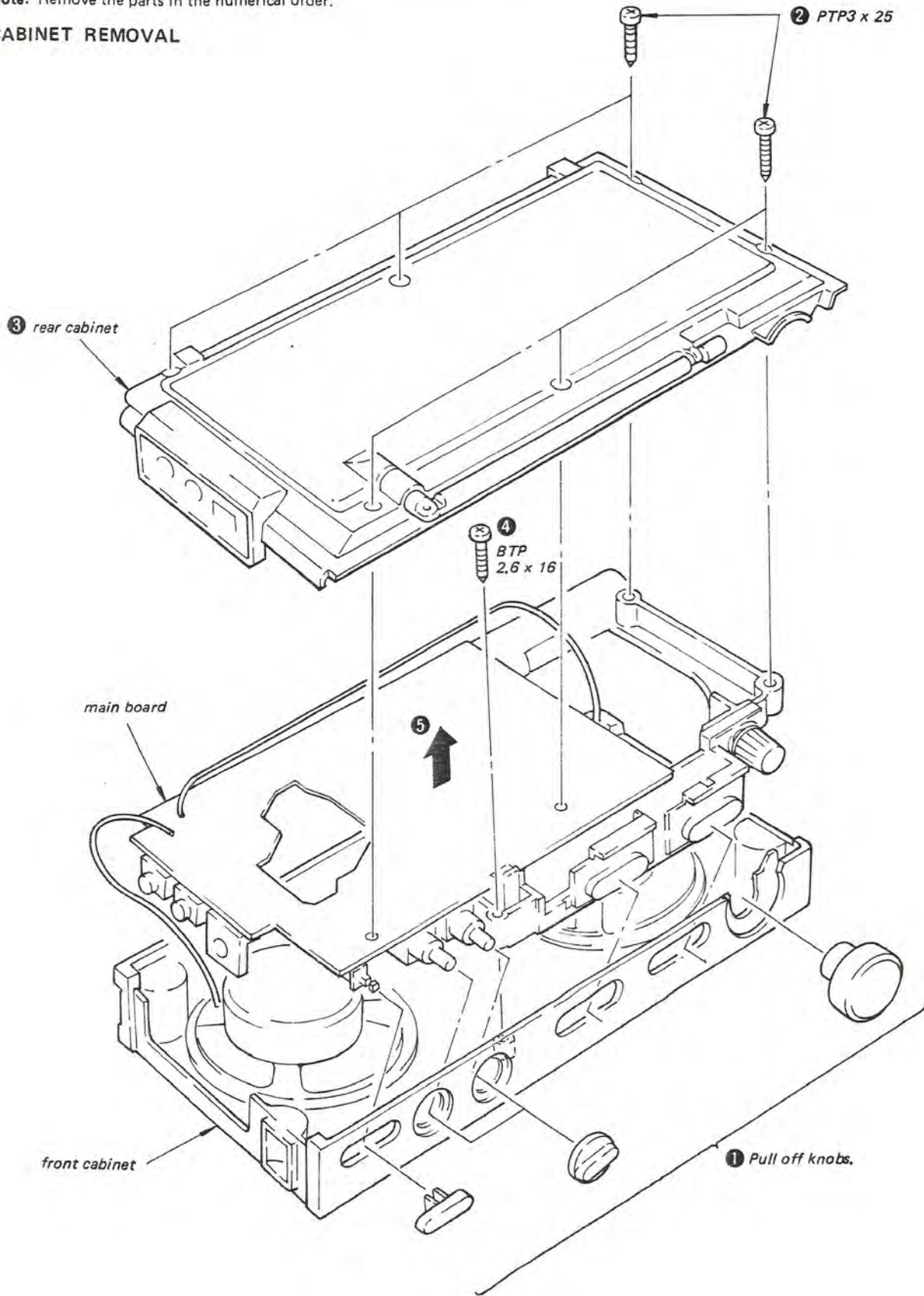


SECTION 2 DISASSEMBLY

2-1. REMOVAL

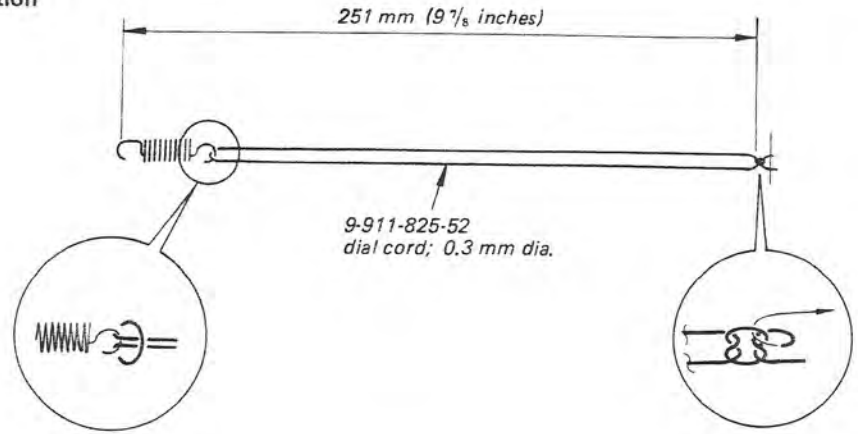
Note: Remove the parts in the numerical order.

CABINET REMOVAL

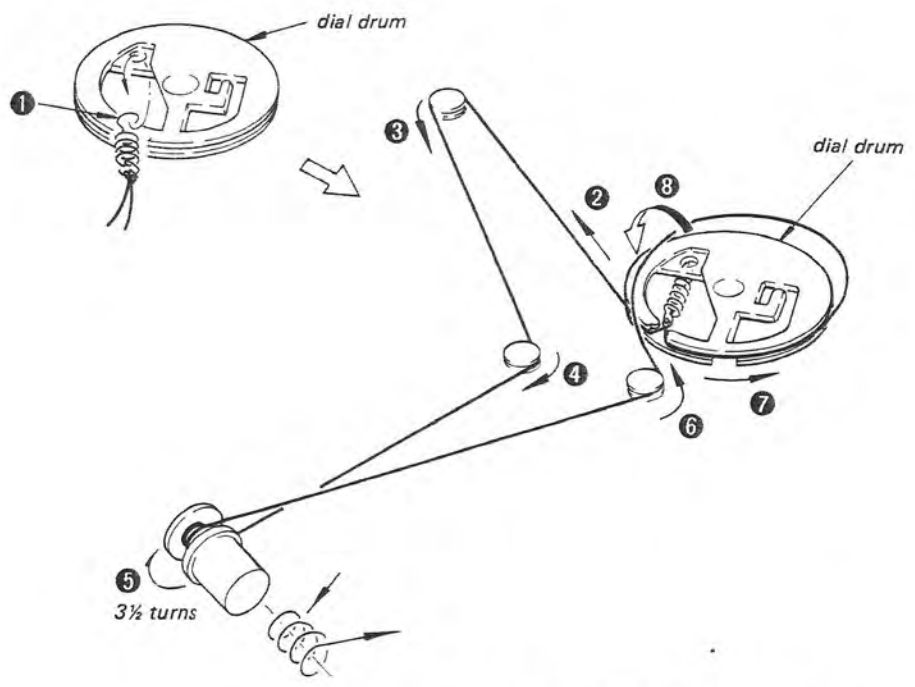


2-2. DIAL CORD STRINGING

1) Dial Cord Preparation



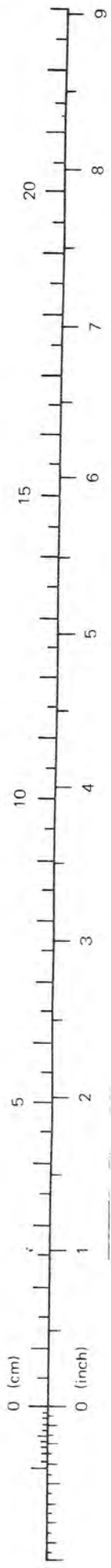
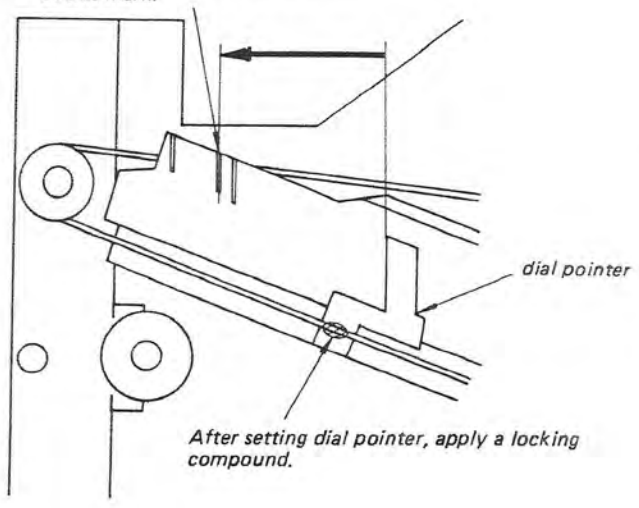
2) Dial Cord Stringing



3) Pointer Setting

- After the stringing, turn the dial drum fully counterclock wise.

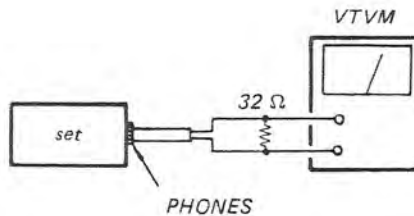
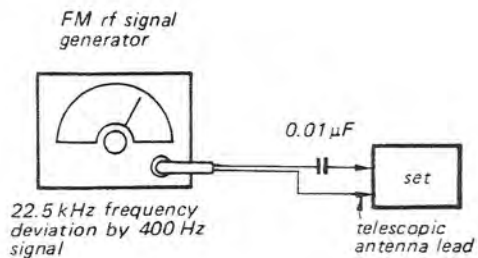
Set the left side of the dial pointer at this mark.



SECTION 3 ADJUSTMENTS

FM SECTION

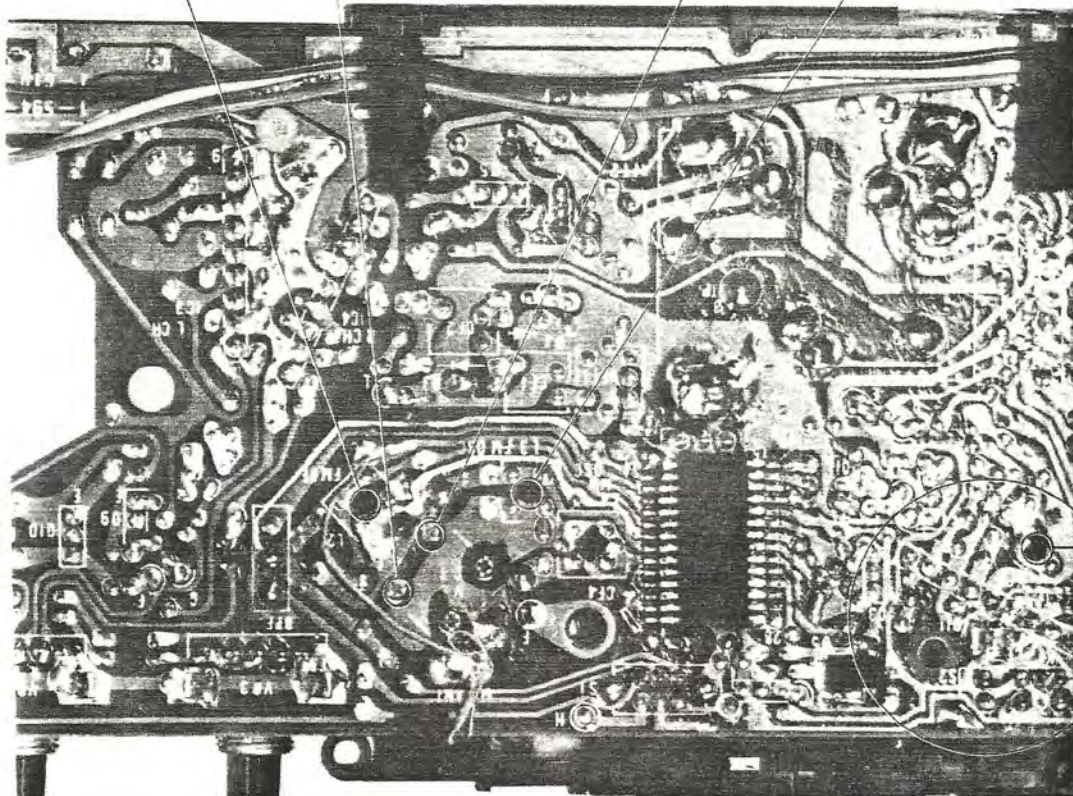
BAND selector switch: FM ST
 FM SENS selector switch: DISTANT



- Repeat the procedures in each adjustment several times, and the frequency coverage and tracking adjustments should be finally done by the trimmer capacitors.

FM TRACKING ADJUSTMENT	
Adjust for a maximum reading on VTVM.	
86.5 MHz	109.5 MHz
L2	CT2

FM FREQUENCY COVERAGE ADJUSTMENT	
Adjust for a maximum reading on VTVM.	
109.5 MHz	86.5 MHz
CT3	L3

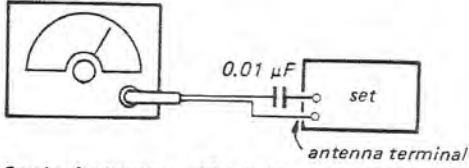


VCO Adjustment

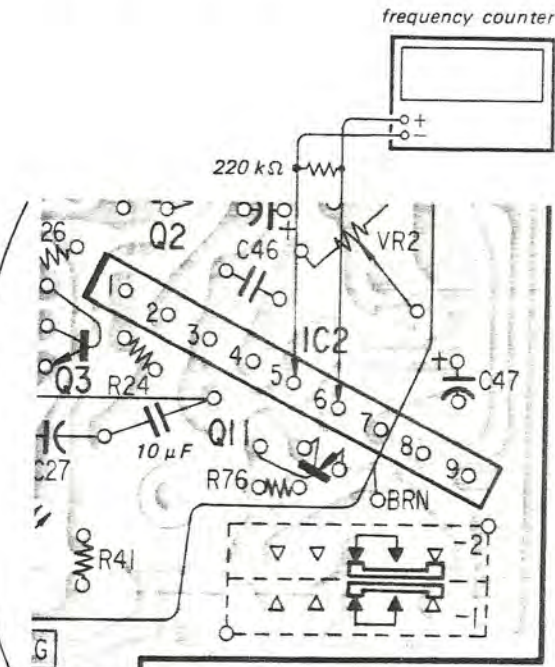
A) Regular Method

Procedure:

FM rf stereo signal generator



Carrier frequency: 98.1 MHz
Output level: 1 mV (60 dB)



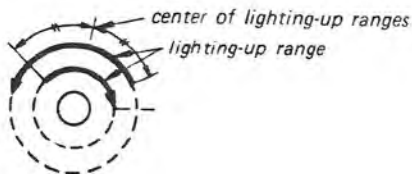
1. Connect 10 µF capacitor between IC pin ⑤ and R24.
2. Adjust RV2 for 76 kHz ± 100 Hz on the counter.

B) Simple Method

Procedure:

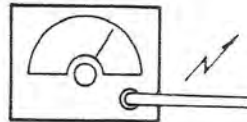
1. Tune the set to the FM stereo broadcasting signal.
2. Turn RV2 clockwise or counterclockwise and memorize the lighting-up range of the stereo lamp.
3. Secure RV2 at the center of the lighting-up range of both turns as shown below.

RV2



AM SECTION

AM rf signal generator

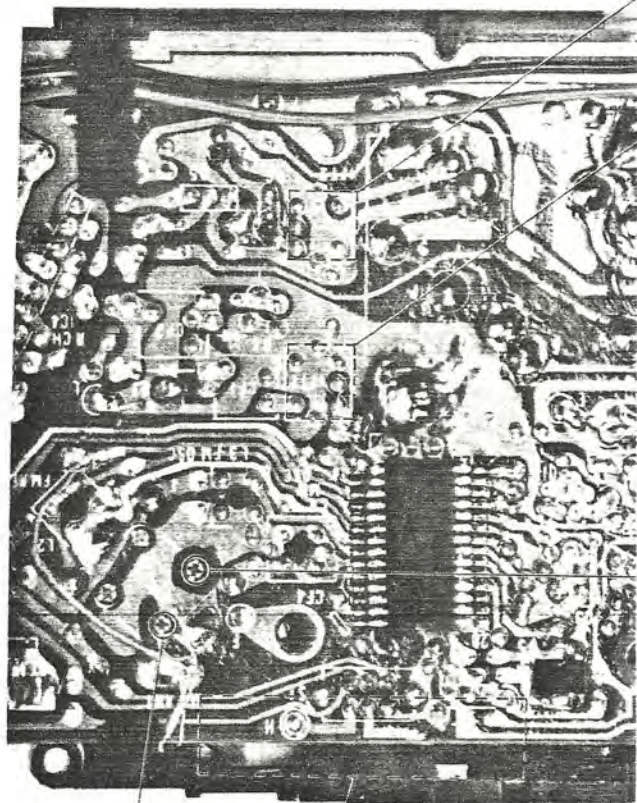


Put the lead-wire antenna close to the set.

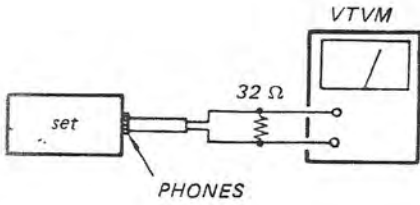
30% amplitude modulation by 400 Hz signal

- Repeat the procedures in each adjustment several times, and the frequency coverage and tracking adjustments should be finally done by the trimmer capacitors.

BAND selector switch: AM (mono)
AM BANDWIDTH switch: WIDE



1,400 kHz	620 kHz
CT1	L1
Adjust for a maximum reading on VTVM.	
TRACKING ADJUSTMENT	

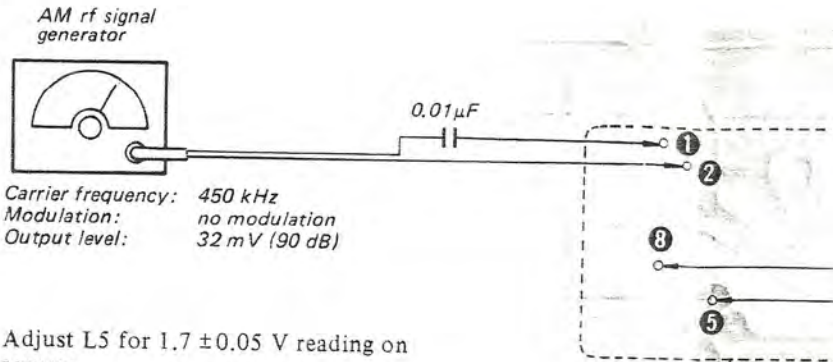


AM IF ALIGNMENT	
Adjust for a maximum reading on VTVM.	
450 kHz	
IFT2	IFT1

FREQUENCY COVERAGE ADJUSTMENT	
Adjust for a maximum reading on VTVM.	
1,650 kHz	520 kHz
CT4	L4

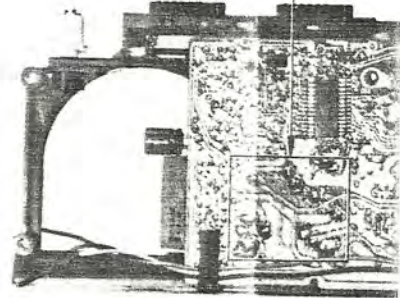
VCO Adjustment

Procedure:

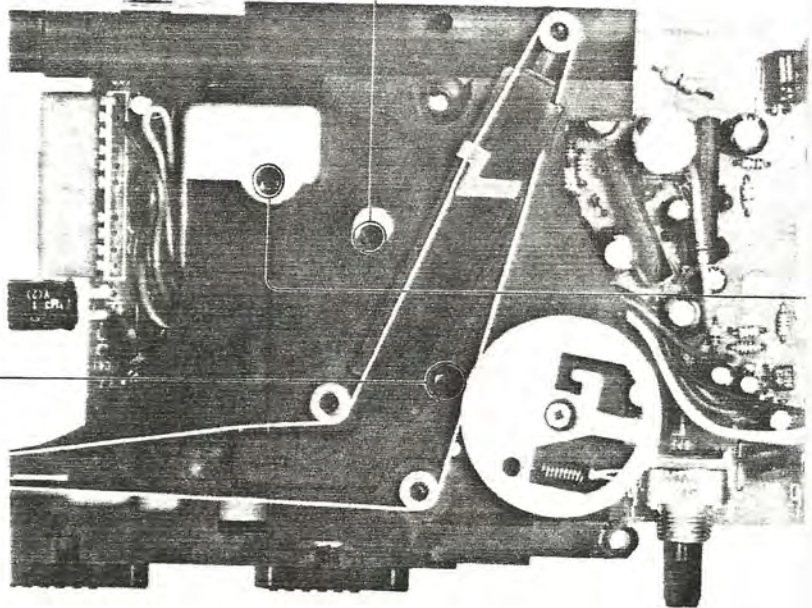


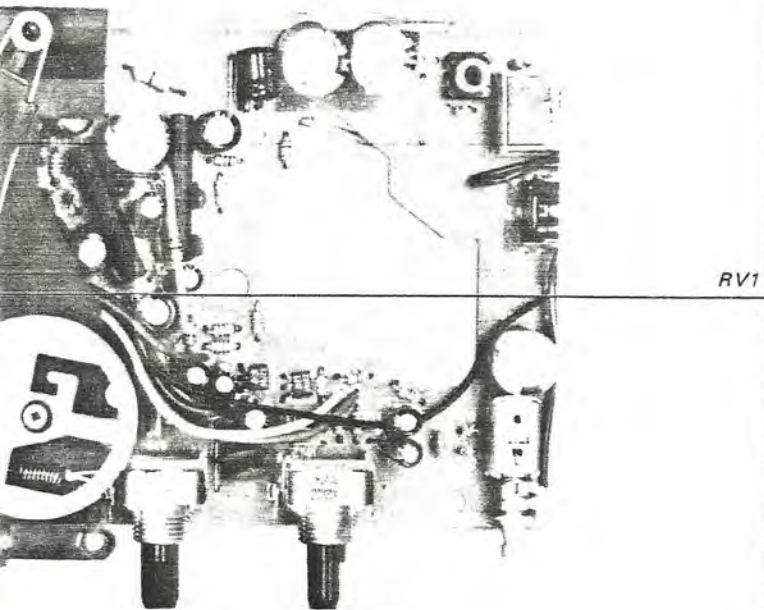
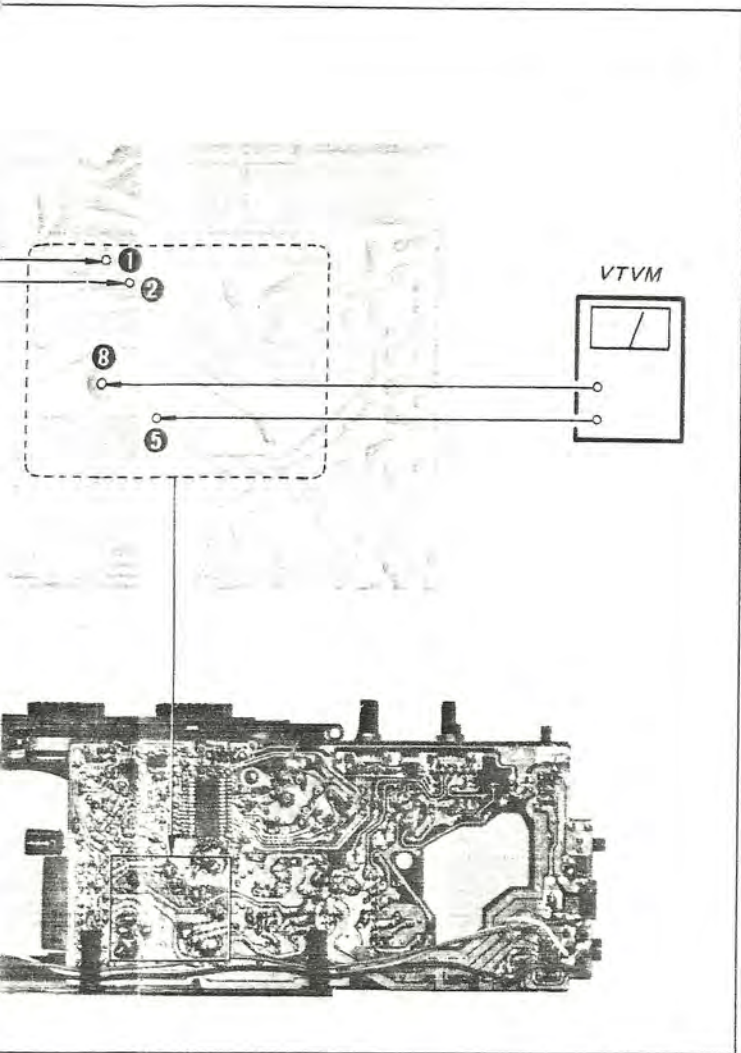
Carrier frequency: 450 kHz
Modulation: no modulation
Output level: 32 mV (90 dB)

Adjust L5 for 1.7 \pm 0.05 V reading on VTVM.



L5





Stereo Distortion Adjustment

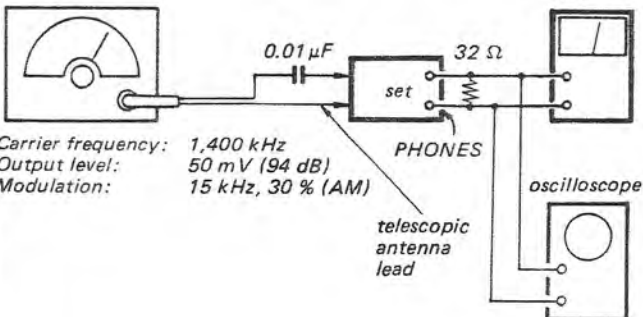
Setting:

- AM BANDWIDTH switch: WIDE
- AM ST MODE switch: B

A) Regular Method

Procedure:

AM rf stereo signal generator



Carrier frequency: 1,400 kHz
 Output level: 50 mV (94 dB)
 Modulation: 15 kHz, 30% (AM)

1. Set the BAND switch to AM.
2. Adjust the output level of the am rf stereo signal generator for dip point as shown in Fig. 1.

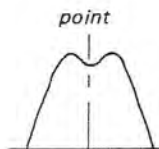


Fig. 1

3. Set the BAND switch to AM ST.
4. Set the VOLUME knob to the mechanical center.
5. Adjust RV1 for minimum reading on distortion meter.

B) Simple Method

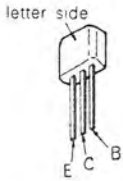
Adjust RV1 to the mechanical center in rotation angle.

SECTION 4
DIAGRAMS

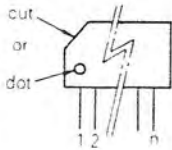
4-1. MOUNTING DIAGRAMS

Semiconductor Lead Layouts

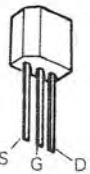
2SA1048-GR
2SB811
2SC2785



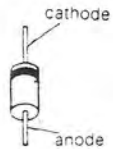
TA7331P
TA7342P



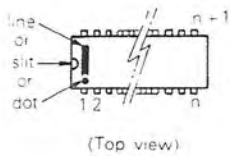
DTC124ES



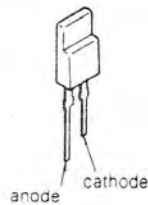
1S1555
1T261



CX857



GL9PR21



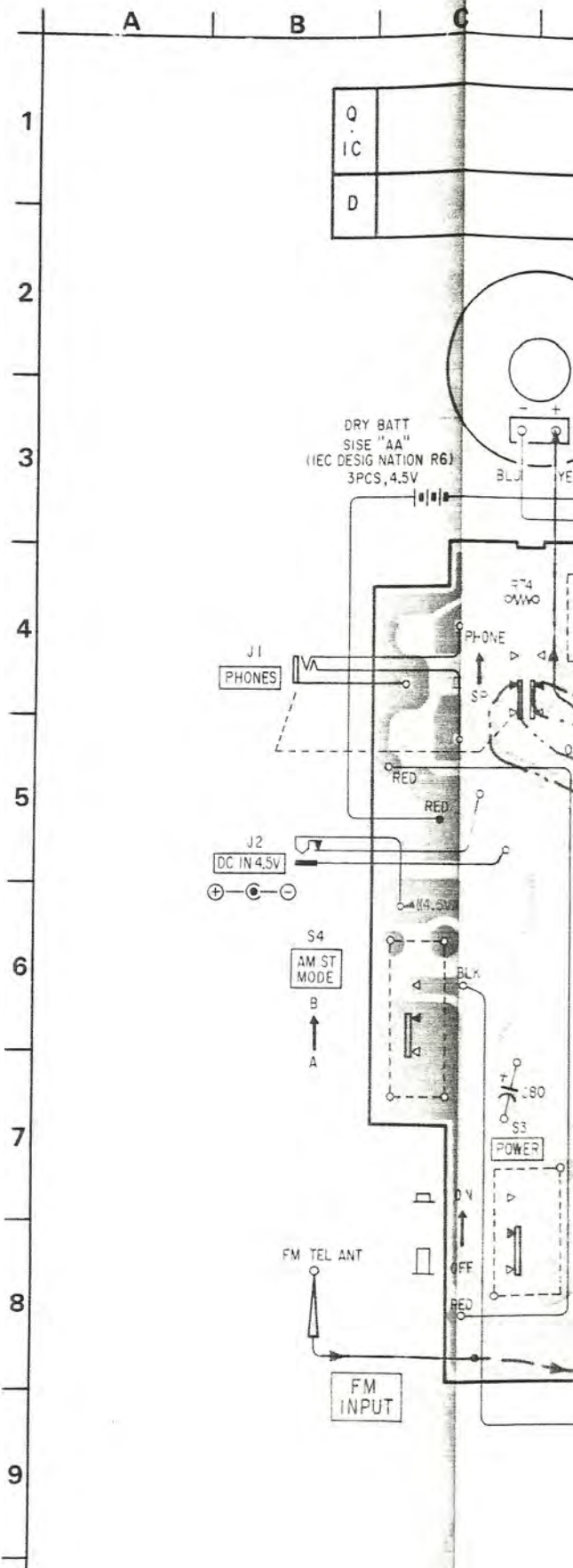
CX20075



(Marking side view)

Note:

- ○ — : parts extracted from the component side.
- ● — : parts extracted from the conductor side.
- [] — : indicates side identified with part number.
- B — : B + pattern
- —> : signal path
- —> : L-CH signal path
- —> : R-CH signal path



D

E

F

G

H

I

J

K

10

9

IC5

IC4

5

6

IC1

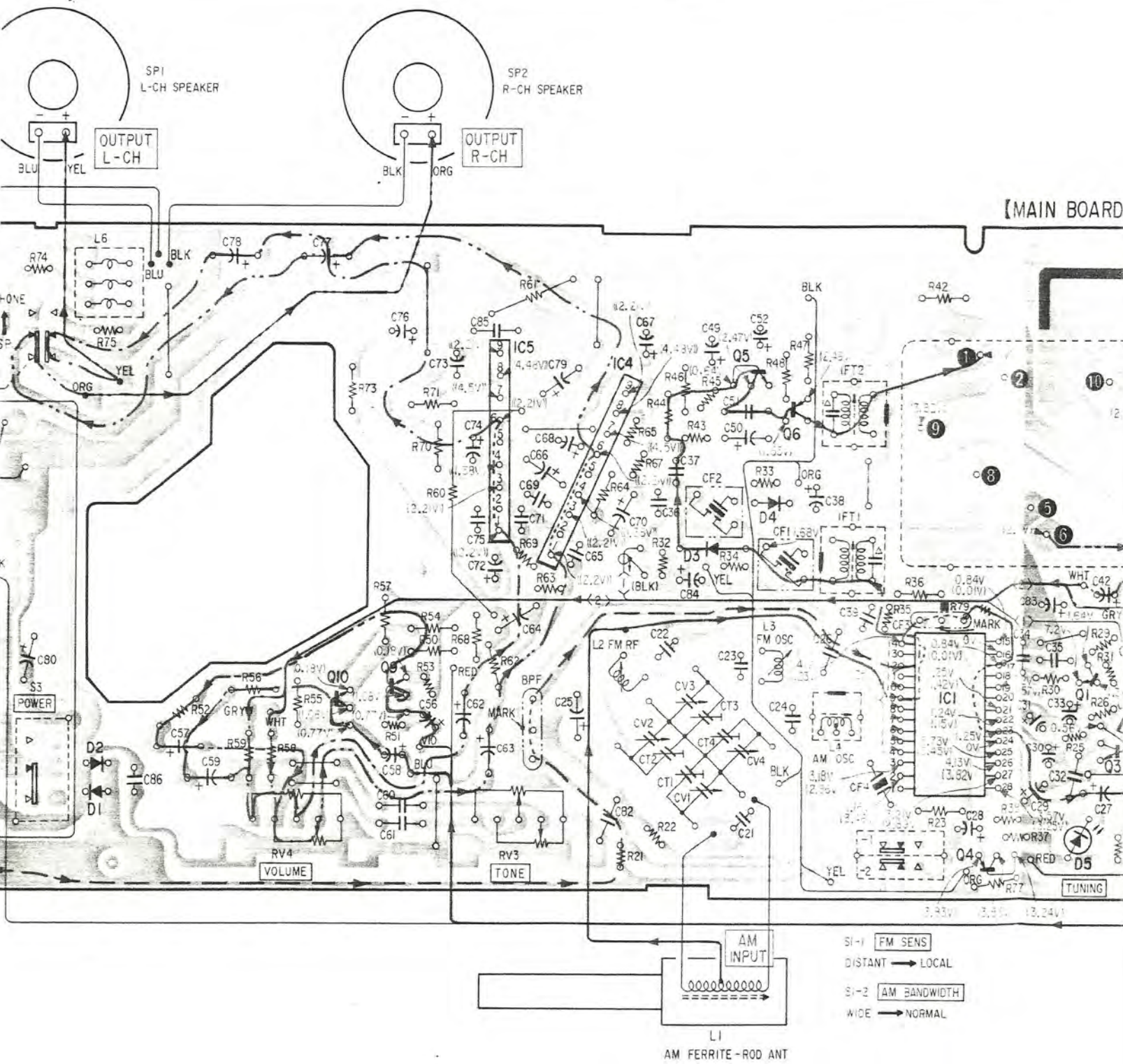
4

2

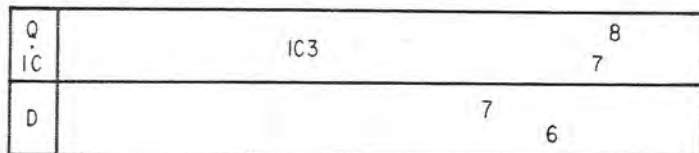
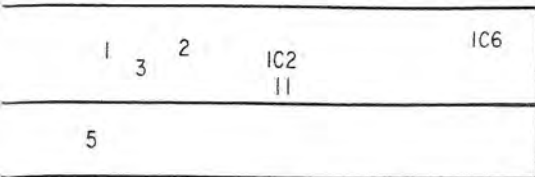
3

4

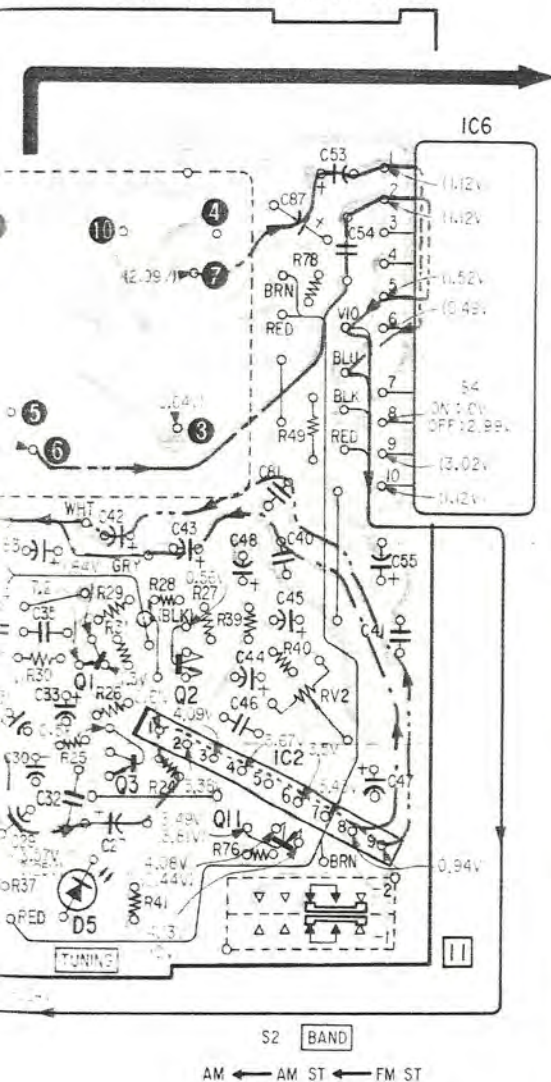
5



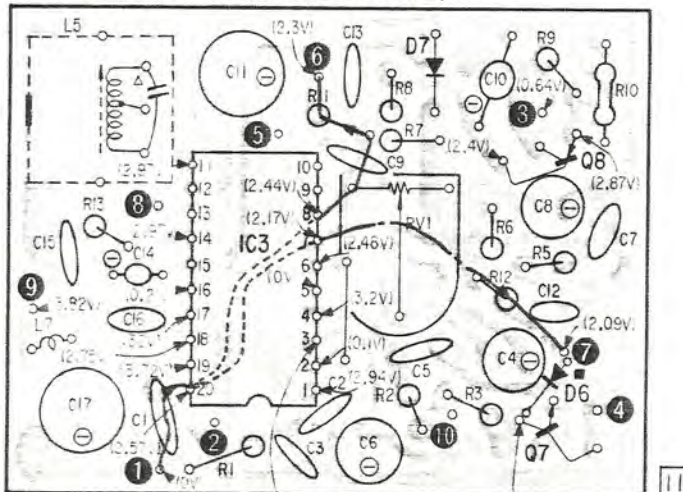
K L M N O P U V



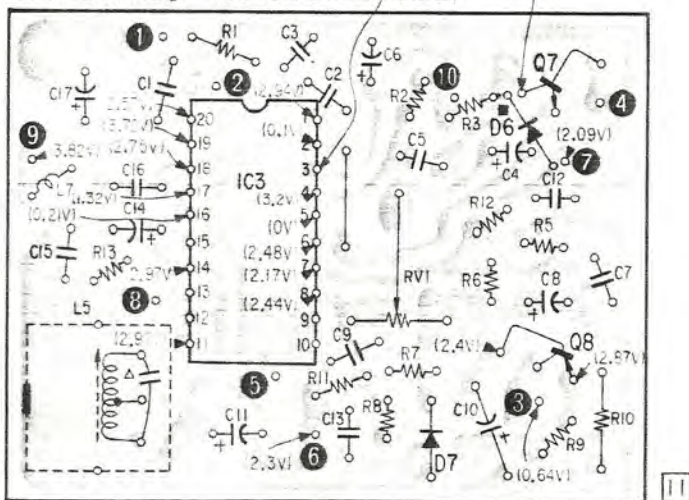
MAIN BOARD (CONDUCTOR SIDE)



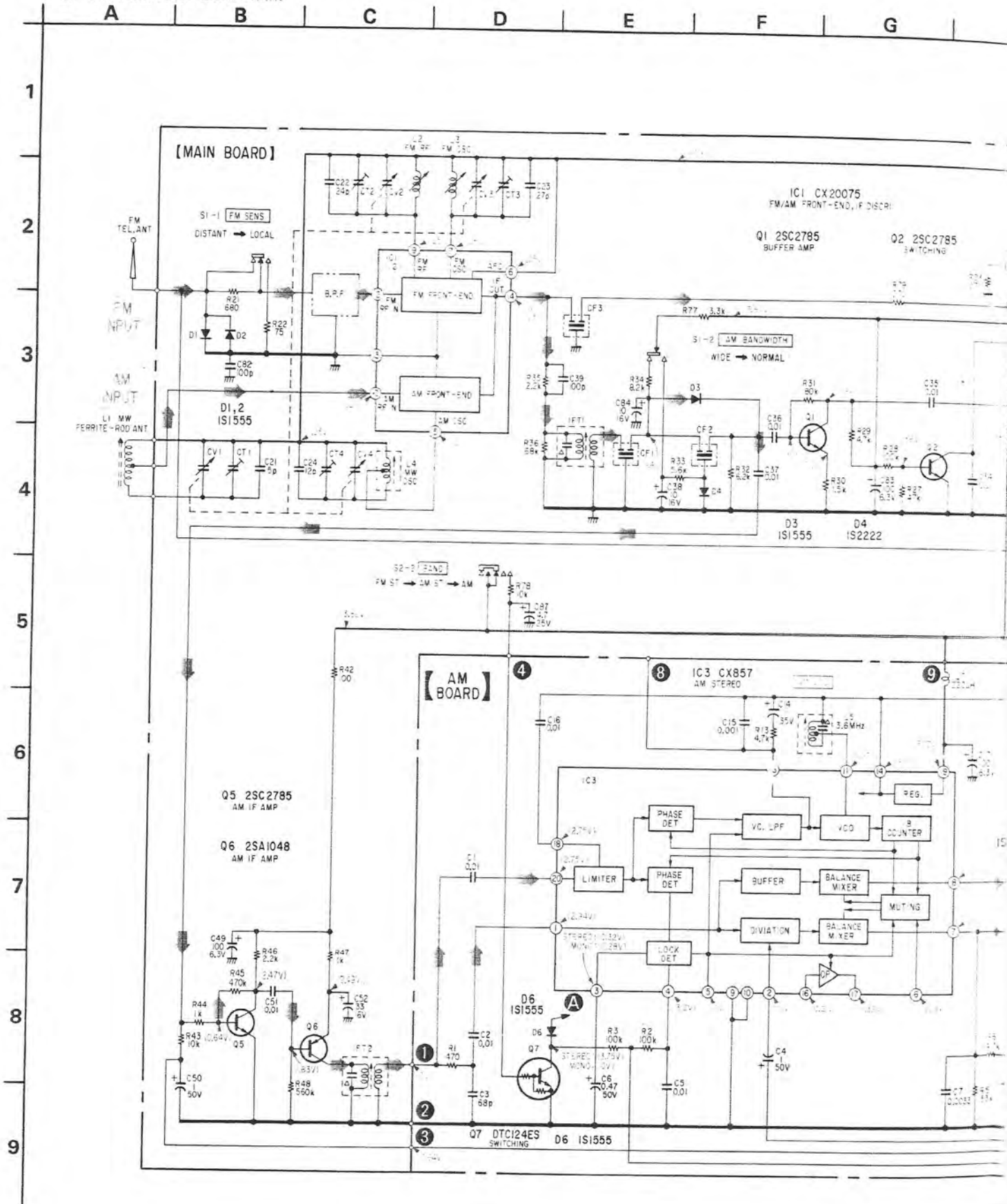
[AM BOARD] (COMPONENT SIDE)



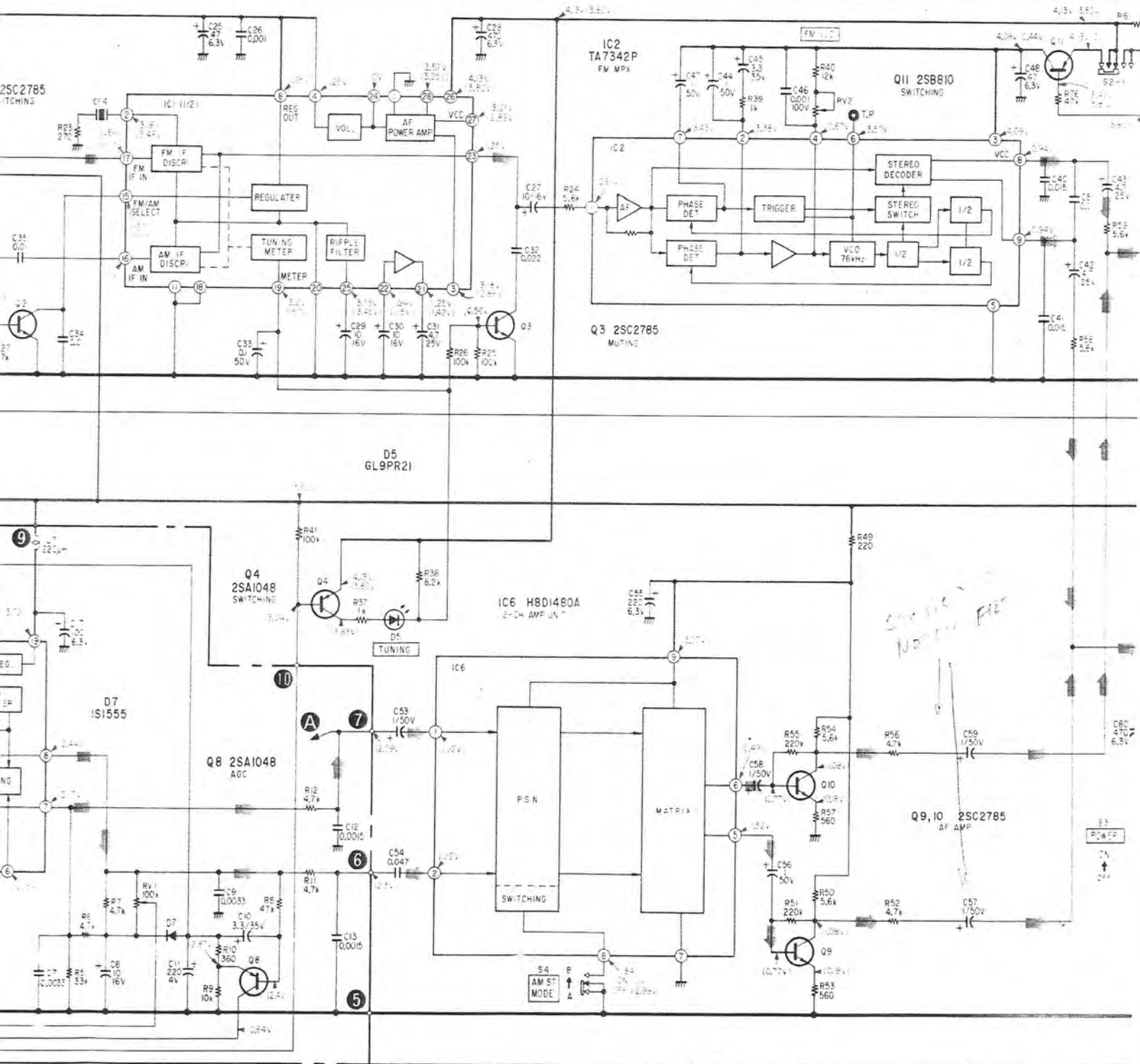
[AM BOARD] (CONDUCTOR SIDE)



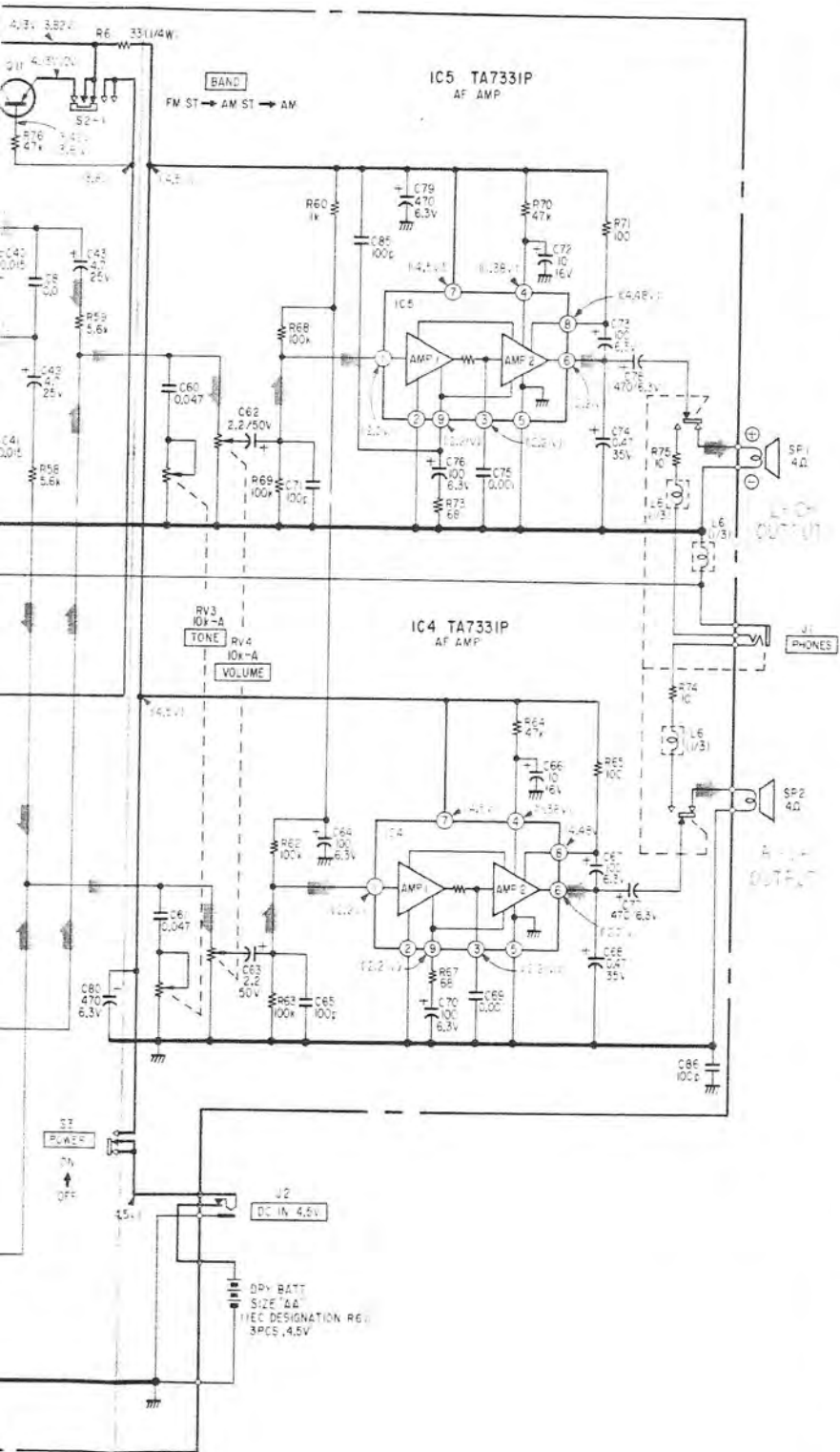
4-2. SCHEMATIC DIAGRAM



H I J K L M N O



P Q T U V



1
2
3
4
5
6
7
8
9

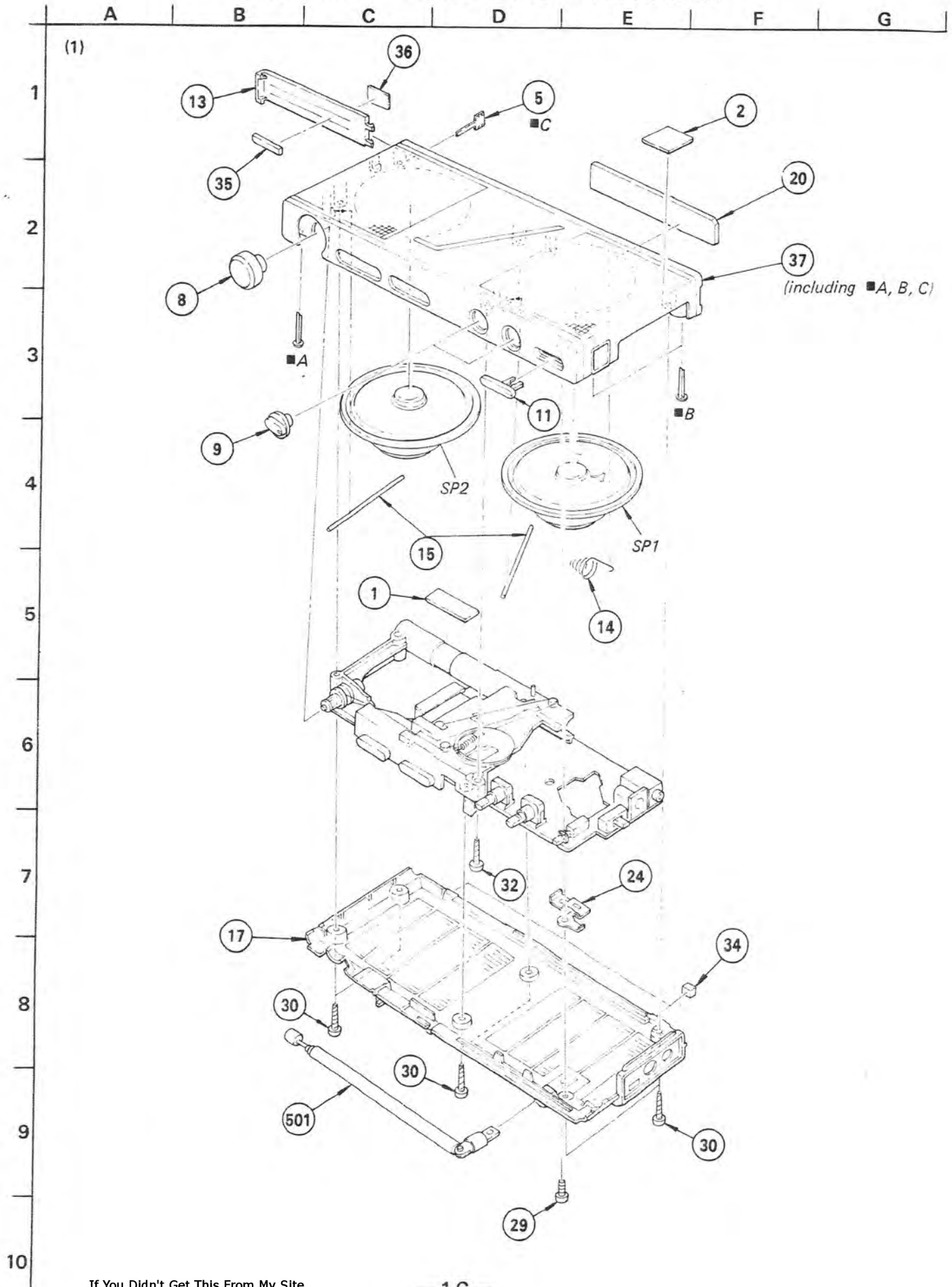
Note:

- : signal path
- All capacitors are in μF unless otherwise noted. pF : μpF 50WV or less are not indicated except for electrolytics and tantalums.
- All resistors are in ohms, $\frac{1}{6}$ W unless otherwise noted. k Ω : 1000 Ω , M Ω : 1000 k Ω
- Δ : internal component.
- : adjustment for repair.
- : B+ bus.
- Readings are taken under no-signal (detuned) conditions with a VOM.
no mark: FM
() : AM
(()) : common
- Switch

Ref. No.	Switch	Position
S1-1	FM SENS	DISTANT
S1-2	AM BANDWIDTH	WIDE
S2	BAND	FM ST
S3	POWER	OFF
S4	AM ST MODE	A

Note: Voltages are measured with a VOM (50k Ω /V).

SECTION 5
EXPLODED VIEWS AND PARTS LIST



G

A

B

C

D

E

F

G

(2)

1

2

3

4

5

6

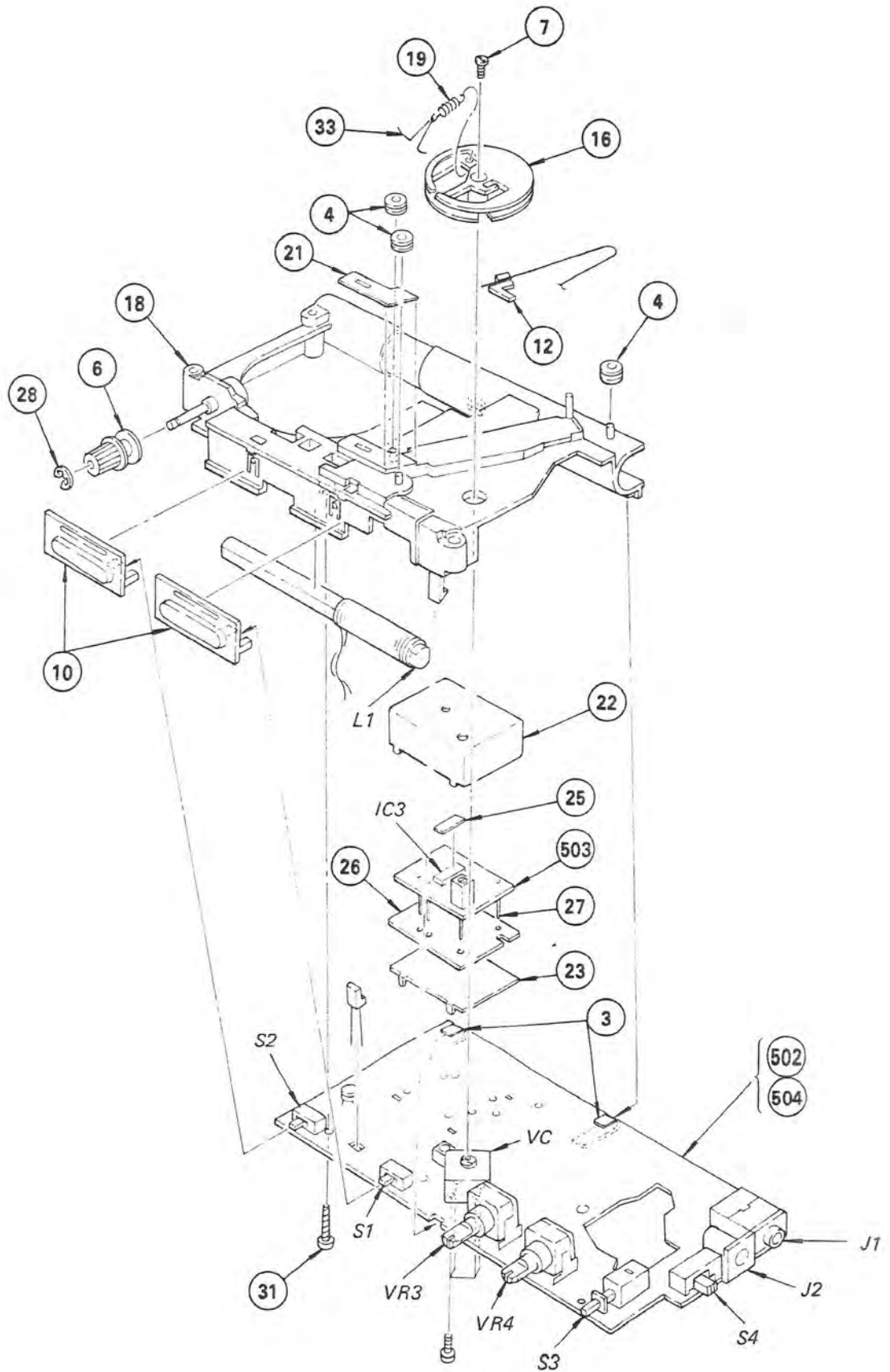
7

8

9

10

ng ■A, B, C)



GENERAL SECTION

No.	Part No.	Description
1	3-701-999-00	LABEL, SERIAL NUMBER
2	3-703-710-01	STICKER, SONY SYMBOL (12)
3	3-849-226-00	CLOTH, UNWEAVED (25X6X0.5)
4	3-881-911-00	PULLEY
5	3-883-428-00	PLATE, TERMINAL (POSITIVE)
6	♣;3-887-506-00	SHAFT, TUNING
7	3-888-156-00	SCREW
8	3-891-001-00	KNOB, DIAL
9	3-891-002-00	KNOB
10	3-891-003-00	KNOB, SELECTION
11	3-891-004-00	BUTTON
12	3-891-006-00	POINTER, DIAL
13	3-891-008-00	LID, BATTERY CASE
14	3-891-009-00	SPRING
15	3-891-011-00	STOPPER, SPEAKER
16	♣;3-891-017-00	DRUM, DIAL
17	3-891-019-41	CABINET, REAR
18	♣;3-891-020-00	CHASSIS
19	3-891-021-00	SPRING
20	3-891-031-00	LABEL, MODEL NUMBER (U, CND)
21	3-891-037-00	SHEET
22	♣;3-891-038-00	CASE (B), SHIELD
23	♣;3-891-039-00	CASE (C), SHIELD
24	3-891-040-00	PLATE, CONTACT, ANTENNA
25	♣;3-891-041-00	PLATE, SHIELD
26	♣;3-891-042-00	SHEET, INSULATING
27	3-891-044-00	PIN, WIRE
28	7-624-106-04	STOP RING 3.0, TYPE -E
29	7-682-146-13	SCREW +P 3X5
30	7-685-152-14	SCREW +PTP 3X25 TYPE2 NON-SLIT
31	7-685-536-19	SCREW +BTP 2.6X12 TYPE2 N-S
32	7-685-538-19	SCREW +BTP 2.6X16 TYPE2 N-S
33	9-911-825-52	CORD, DIAL;0.3mm DIA
34	9-911-840-XX	FOOT
35	9-911-856-XX	CUSHION
36	4-822-524-00	LABEL, CAUTION
37	X-3891-006-1	CABINET, FRONT

ACCESSORY & PACKING MATERIAL

No.	Part No.	Description
71	3-572-854-51	BELT, SHOULDER
72	3-701-623-00	BAG, POLYETHYLENE
73	3-822-524-00	LABEL, CAUTION
74	3-891-025-00	BAG, PROTECTION
75	3-891-027-00	CASE (A)
76	3-891-028-00	CASE (B)
77	3-891-047-00	INDIVIDUAL CARTON (SLEEVE)
78	3-995-967-22	MANUAL, INSTRUCTION
79	3-995-967-31	(Canadian)...MANUAL, INSTRUCTION

ELECTRICAL PARTS

Ref.No.	Part No.	Description				
501	1-501-222-00	ANTENNA, TELESCOPIC				
502	♣;1-610-634-00	PC BOARD, MAIN				
503	♣;1-610-635-00	PC BOARD, AM				
504	♣;A-3660-445-A	MOUNTED PCB (A), MAIN				
BPF	1-235-171-00	FILTER, BAND PASS				
C1	1-161-013-00	CERAMIC	0.01MF	10%		25V
C2	1-161-013-00	CERAMIC	0.01MF	10%		25V
C3	1-101-888-00	CERAMIC	68PF	5%		50V
C4	1-123-611-00	ELECT	1MF	20%		50V
C5	1-161-013-00	CERAMIC	0.01MF	10%		25V
C6	1-123-610-00	ELECT	0.47MF	20%		50V
C7	1-161-007-00	CERAMIC	0.0033MF	10%		25V
C8	1-123-617-00	ELECT	10MF	20%		16V
C9	1-161-007-00	CERAMIC	0.0033MF	10%		25V
C10	1-123-613-00	ELECT	3.3MF	20%		35V
C11	1-123-827-00	ELECT	220MF	20%		4V
C12	1-161-003-00	CERAMIC	0.0015MF	10%		25V
C13	1-161-003-00	CERAMIC	0.0015MF	10%		25V
C14	1-131-347-00	TANTALUM	1MF	20%		35V
C15	1-161-039-00	CERAMIC	0.001MF	10%		25V
C16	1-161-013-00	CERAMIC	0.01MF	10%		25V
C17	1-123-661-00	ELECT	100MF	20%		6.3V
C21	1-102-942-00	CERAMIC	5PF	0.5PF		50V
C22	1-102-960-00	CERAMIC	24PF	5%		50V
C23	1-102-883-00	CERAMIC	27PF	5%		50V
C24	1-102-637-00	CERAMIC	12PF	5%		50V
C25	1-123-294-00	ELECT	47MF	20%		6.3V
C26	1-161-039-00	CERAMIC	0.001MF	10%		25V
C27	1-123-617-00	ELECT	10MF	20%		16V
C28	1-123-298-00	ELECT	470MF	20%		6.3V
C29	1-123-356-00	ELECT	10MF	20%		16V
C30	1-123-617-00	ELECT	10MF	20%		16V

NOTE:

- Items with no part number and no description are not stocked because they are seldom required for routine service.
- Items marked "♣" are not stocked since they are seldom required for routine service. Some delay should be anticipated when ordering these items.
- Due to standardization, parts with part numbers (Δ-ΔΔΔ-ΔΔΔ-XX or Δ-ΔΔΔΔ-ΔΔΔ-X) may be different from those used in the set.
- If there are two or more same circuits in a set such as a stereophonic machine, only typical circuit parts may be indicated and capacitors and resistors in other same circuits may be omitted.

CAPACITORS:

MF:μF, PF:μμF.

RESISTORS

• All resistors are in ohms.

• F : nonflammable

COILS

• MMH : mH, UH : μH

SEMICONDUCTORS

In each case, U : u, for example:

UA...: μA..., UPA...: μPA..., UPC...: μPC, UPD...: μPD...

ELECTRICAL PARTS

Ref.No.	Part No.	Description				
C31	1-123-616-00	ELECT	4.7MF	20%	25V	
C32	1-161-017-00	CERAMIC	0.022MF	10%	25V	
C33	1-123-607-00	ELECT	0.1MF	20%	50V	
C34	1-161-013-00	CERAMIC	0.01MF	10%	25V	
C35	1-161-013-00	CERAMIC	0.01MF	10%	25V	
C36	1-161-013-00	CERAMIC	0.01MF	10%	25V	
C37	1-161-013-00	CERAMIC	0.01MF	10%	25V	
C38	1-123-617-00	ELECT	10MF	20%	16V	
C39	1-102-973-00	CERAMIC	100PF	5%	50V	
C40	1-161-015-00	CERAMIC	0.015MF	10%	25V	
C41	1-161-015-00	CERAMIC	0.015MF	10%	25V	
C42	1-123-616-00	ELECT	4.7MF	20%	25V	
C43	1-123-616-00	ELECT	4.7MF	20%	25V	
C44	1-123-611-00	ELECT	1MF	20%	50V	
C45	1-123-613-00	ELECT	3.3MF	20%	35V	
C46	1-130-651-00	FILM	0.001MF	5%	100V	
C47	1-123-380-00	ELECT	1MF	20%	50V	
C48	1-123-294-00	ELECT	47MF	20%	6.3V	
C49	1-123-295-00	ELECT	100MF	20%	6.3V	
C50	1-123-380-00	ELECT	1MF	20%	50V	
C51	1-161-013-00	CERAMIC	0.01MF	10%	25V	
C52	1-123-318-00	ELECT	33MF	20%	16V	
C53	1-123-380-00	ELECT	1MF	20%	50V	
C54	1-161-021-00	CERAMIC	0.047MF	10%	25V	
C55	1-123-296-00	ELECT	220MF	20%	6.3V	
C56	1-123-611-00	ELECT	1MF	20%	50V	
C57	1-123-611-00	ELECT	1MF	20%	50V	
C58	1-123-611-00	ELECT	1MF	20%	50V	
C59	1-123-611-00	ELECT	1MF	20%	50V	
C60	1-161-021-00	CERAMIC	0.047MF	10%	25V	
C61	1-161-021-00	CERAMIC	0.047MF	10%	25V	
C62	1-123-612-00	ELECT	2.2MF	20%	50V	
C63	1-123-612-00	ELECT	2.2MF	20%	50V	
C64	1-123-295-00	ELECT	100MF	20%	6.3V	
C65	1-102-973-00	CERAMIC	100PF	5%	50V	
C66	1-123-617-00	ELECT	10MF	20%	16V	
C67	1-123-295-00	ELECT	100MF	20%	6.3V	
C68	1-131-345-00	TANTALUM	0.47MF	10%	35V	
C69	1-161-039-00	CERAMIC	0.001MF	10%	25V	
C70	1-123-295-00	ELECT	100MF	20%	6.3V	
C71	1-102-973-00	CERAMIC	100PF	5%	50V	
C72	1-123-617-00	ELECT	10MF	20%	16V	
C73	1-123-295-00	ELECT	100MF	20%	6.3V	
C74	1-131-345-00	TANTALUM	0.47MF	10%	35V	
C75	1-161-039-00	CERAMIC	0.001MF	10%	25V	

NOTE:

- Items with no part number and no description are not stocked because they are seldom required for routine service.
- Items marked " * " are not stocked since they are seldom required for routine service. Some delay should be anticipated when ordering these items.
- Due to standardization, parts with part numbers (Δ-ΔΔΔ-ΔΔΔ-XX or Δ-ΔΔΔΔ-ΔΔΔ-X) may be different from those used in the set.
- If there are two or more same circuits in a set such as a stereophonic machine, only typical circuit parts may be indicated and capacitors and resistors in other same circuits may be omitted.

ELECTRICAL PARTS

Ref.No.	Part No.	Description				
C76	1-123-661-00	ELECT	100MF	20%	6.3V	
C77	1-123-298-00	ELECT	470MF	20%	6.3V	
C78	1-123-298-00	ELECT	470MF	20%	6.3V	
C79	1-123-298-00	ELECT	470MF	20%	6.3V	
C80	1-123-298-00	ELECT	470MF	20%	6.3V	
C81	1-161-013-00	CERAMIC	0.01MF	10%	25V	
C82	1-102-973-00	CERAMIC	100PF	5%	50V	
C83	1-123-295-00	ELECT	100MF	20%	6.3V	
C84	1-123-617-00	ELECT	10MF	20%	16V	
C85	1-102-973-00	CERAMIC	100PF	5%	50V	
C86	1-102-973-00	CERAMIC	100PF	5%	50V	
C87	1-123-616-00	ELECT	4.7MF	20%	25V	
CF1	1-567-123-00	FILTER, CERAMIC				
CF2	1-527-481-00	FILTER, CERAMIC				
CF3	1-567-097-61	FILTER, CERAMIC				
CF4	1-567-097-61	FILTER, CERAMIC				
D1	8-719-815-55	DIODE 1S1555				
D2	8-719-815-55	DIODE 1S1555				
D3	8-719-815-55	DIODE 1S1555				
D4	8-719-104-15	DIODE 1T261				
D5	8-719-909-21	DIODE GL-9PR21				
D6	8-719-815-55	DIODE 1S1555				
D7	8-719-815-55	DIODE 1S1555				
IC1	8-752-007-50	IC CX20075				
IC2	8-759-201-14	IC TA7342P				
IC3	8-759-907-69	IC CX-857				
IC4	8-759-203-31	IC TA7331P				
IC5	8-759-203-31	IC TA7331P				
IC6	1-464-278-00	CIRCUIT UNIT, AMPLIFIER (2CH)(H8D1480A)				
IFT1	1-404-023-00	COIL, IFT				
IFT2	1-404-482-00	TRANSFORMER, IF				
J1	1-507-806-00	JACK, PHONES				
J2	1-507-459-00	JACK, DC IN 4.5V				
L1	1-402-042-00	ANTENNA, FERRITE-ROD (MM)				
L2	1-459-435-00	COIL (WITH CORE), FM RF				
L3	1-459-418-00	COIL (WITH CORE), FM OSC				
L4	1-405-989-00	COIL, MM OSC				
L5	1-406-070-00	COIL, OSC				
L6	1-409-365-00	COIL, TRAP				
L7	1-408-579-00	MICRO INDUCTOR 220UH				
Q1	8-729-178-54	TRANSISTOR 2SC2785				
Q2	8-729-178-54	TRANSISTOR 2SC2785				
Q3	8-729-178-54	TRANSISTOR 2SC2785				
Q4	8-729-204-83	TRANSISTOR 2SA1048-GR				
Q5	8-729-178-54	TRANSISTOR 2SC2785				
Q6	8-729-204-83	TRANSISTOR 2SA1048-GR				

CAPACITORS:

MF:μF, PF:pF.

RESISTORS

All resistors are in ohms.

* F : nonflamable

COILS

MMH : mH, UH : μH

SEMICONDUCTORS

In each case, U : μ, for example:

UA... : μA..., UPA... : μPA..., UPC... : μPC,

UPD... : μPD...

ELECTRICAL PARTS

Ref.No.	Part No.	Description			
Q7	8-729-900-37	TRANSISTOR	DTC124ES		
Q8	8-729-204-83	TRANSISTOR	2SA1048-GR		
Q9	8-729-178-54	TRANSISTOR	2SC2785		
Q10	8-729-178-54	TRANSISTOR	2SC2785		
Q11	8-729-181-13	TRANSISTOR	2SB811		
R1	1-247-823-00	CARBON	470	5%	1/6W
R2	1-247-879-00	CARBON	100K	5%	1/6W
R3	1-247-879-00	CARBON	100K	5%	1/6W
R5	1-247-867-00	CARBON	33K	5%	1/6W
R6	1-247-847-00	CARBON	4.7K	5%	1/6W
R7	1-247-847-00	CARBON	4.7K	5%	1/6W
R8	1-247-871-00	CARBON	47K	5%	1/6W
R9	1-247-855-00	CARBON	10K	5%	1/6W
R10	1-247-820-00	CARBON	360	5%	1/6W
R11	1-247-847-00	CARBON	4.7K	5%	1/6W
R12	1-247-847-00	CARBON	4.7K	5%	1/6W
R13	1-247-847-00	CARBON	4.7K	5%	1/6W
R21	1-247-827-00	CARBON	680	5%	1/6W
R22	1-247-804-00	CARBON	75		1/6W
R23	1-247-817-00	CARBON	270	5%	1/6W
R24	1-247-849-00	CARBON	5.6K	5%	1/6W
R25	1-247-879-00	CARBON	100K	5%	1/6W
R26	1-247-879-00	CARBON	100K	5%	1/6W
R27	1-247-871-00	CARBON	47K	5%	1/6W
R28	1-247-879-00	CARBON	100K	5%	1/6W
R29	1-247-847-00	CARBON	4.7K	5%	1/6W
R30	1-247-835-00	CARBON	1.5K	5%	1/6W
R31	1-247-885-00	CARBON	180K	5%	1/6W
R32	1-247-850-00	CARBON	6.2K	5%	1/6W
R33	1-247-849-00	CARBON	5.6K	5%	1/6W
R34	1-247-853-00	CARBON	8.2K	5%	1/6W
R35	1-247-839-00	CARBON	2.2K	5%	1/6W
R36	1-247-875-00	CARBON	68K	5%	1/6W
R37	1-247-831-00	CARBON	1K	5%	1/6W
R38	1-247-853-00	CARBON	8.2K	5%	1/6W
R39	1-247-831-00	CARBON	1K	5%	1/6W
R40	1-247-857-00	CARBON	12K	5%	1/6W
R41	1-247-879-00	CARBON	100K	5%	1/6W
R42	1-247-807-00	CARBON	100	5%	1/6W
R43	1-247-855-00	CARBON	10K	5%	1/6W
R44	1-247-831-00	CARBON	1K	5%	1/6W
R45	1-247-895-00	CARBON	470K	5%	1/6W
R46	1-247-839-00	CARBON	2.2K	5%	1/6W
R47	1-247-831-00	CARBON	1K	5%	1/6W
R48	1-247-897-00	CARBON	560K	5%	1/6W

ELECTRICAL PARTS

Ref.No.	Part No.	Description			
R49	1-247-815-00	CARBON	220	5%	1/6W
R50	1-247-849-00	CARBON	5.6K	5%	1/6W
R51	1-247-887-00	CARBON	220K	5%	1/6W
R52	1-247-847-00	CARBON	4.7K	5%	1/6W
R53	1-247-825-00	CARBON	560	5%	1/6W
R54	1-247-849-00	CARBON	5.6K	5%	1/6W
R55	1-247-887-00	CARBON	220K	5%	1/6W
R56	1-247-847-00	CARBON	4.7K	5%	1/6W
R57	1-247-825-00	CARBON	560	5%	1/6W
R58	1-247-849-00	CARBON	5.6K	5%	1/6W
R59	1-247-849-00	CARBON	5.6K	5%	1/6W
R60	1-247-831-00	CARBON	1K	5%	1/6W
R61	1-246-437-00	CARBON	33	5%	1/4W
R62	1-247-879-00	CARBON	100K	5%	1/6W
R63	1-247-879-00	CARBON	100K	5%	1/6W
R64	1-247-871-00	CARBON	47K	5%	1/6W
R65	1-247-807-00	CARBON	100	5%	1/6W
R67	1-247-803-00	CARBON	68	5%	1/6W
R68	1-247-879-00	CARBON	100K	5%	1/6W
R69	1-247-879-00	CARBON	100K	5%	1/6W
R70	1-247-871-00	CARBON	47K	5%	1/6W
R71	1-247-807-00	CARBON	100	5%	1/6W
R73	1-247-803-00	CARBON	68	5%	1/6W
R74	1-247-783-00	CARBON	10	5%	1/6W
R75	1-247-783-00	CARBON	10	5%	1/6W
R76	1-247-871-00	CARBON	47K	5%	1/6W
R77	1-247-843-00	CARBON	3.3K	5%	1/6W
R78	1-247-855-00	CARBON	10K	5%	1/6W
R79	1-247-817-00	CARBON	270	5%	1/6W
S1	1-554-222-00	SWITCH, SLIDE, FM SENS/AM BANDWIDTH			
S2	1-554-598-00	SWITCH, SLIDE, BAND			
S3	1-554-358-00	SWITCH, PUSH, POWER			
S4	1-552-370-00	SWITCH, SLIDE, AM ST MODE			
VC	1-151-434-00	CAP, TUNING, POLYETHYLENE			
RV1	1-230-172-00	RES, ADJ, CARBON 100K			
RV2	1-228-910-00	RES, ADJ, CARBON 4.7K			
RV3	1-228-909-00	RES, VAR, CARBON 10K/10K, TONE			
RV4	1-228-909-00	RES, VAR, CARBON 10K/10K, VOLUME			
SP1	1-503-261-00	SPEAKER			
SP2	1-503-261-00	SPEAKER			

NOTE:

- Items with no part number and no description are not stocked because they are seldom required for routine service.
- Items marked " * " are not stocked since they are seldom required for routine service. Some delay should be anticipated when ordering these items.
- Due to standardization, parts with part numbers (Δ-ΔΔΔ-ΔΔΔ-XX or Δ-ΔΔΔΔ-ΔΔΔ-X) may be different from those used in the set.
- If there are two or more same circuits in a set such as a stereophonic machine, only typical circuit parts may be indicated and capacitors and resistors in other same circuits may be omitted.

CAPACITORS:

MF: μF, PF: μPF.

RESISTORS

- All resistors are in ohms.
- F : nonflammable

COILS

- MMH : mH, UH : μH

SEMICONDUCTORS

In each case, U : μ, for example:
 UA...: μA..., UPA...: μPA..., UPC...: μPC,
 UPD...: μPD...

9-951-219-11

Sony Corporation

English
 83G0547-1
 Printed in Japan
 © 1983