



If You Didn't Get This From My Site,  
Then It Was Stolen From...  
www.SteamPoweredRadio.Com

# TECHNICAL DATA



AN EXCLUSIVE RADIO SHACK SERVICE TO THE EXPERIMENTER

## UM3482A Melody Generator

### General Description

The UM3482A is a mask-ROM-programmed multi-instrument melody generator, implemented in the CMOS technology. It is designed to play melodies according to programmed information and is capable of generating 12 songs with 3 instrument sounds, the piano, the organ and the mandolin.

The device also includes a pre-amplifier which provides simple interface to the driver circuit. The UM3482A is intended for applications such as toys, door bells, music boxes melody clock/timers and telephones.

### Features

- Powered by a 1.5V battery
- Low stand-by current
- 12 songs
- Play all the songs repeatedly or auto stop
- Play one song only, repeatedly or auto stop
- Every song starts from the first note
- On chip envelope modulator and pre-amplifier

### Absolute Maximum Ratings\*

DC supply voltage	-0.3V to 5.0V
Input/output voltage	V <sub>SS</sub> - 0.3V to V <sub>DD</sub> + 0.3V
Operating ambient temperature	-10°C to 60°C
Storage temperature	-55°C to 125°C

\* Stresses above those listed under "Absolute Maximum Ratings" may cause permanent damage to the device. This is a stress rating only and functional operation of the device at these or any other conditions above those indicated in the operational sections of this specification is not implied.

### Electrical Characteristics

V<sub>DD</sub> = 1.5V V<sub>SS</sub> = 0V Temperature = 25°C

Parameter	Symbol	Min.	Typ.	Max.	Conditions
Operating voltage	V <sub>DD</sub>	1.35V	1.5V	5V	
Stand-by current	I <sub>STB</sub>	0.1µA	—	12µA	OSC hatting
Input voltage-high	V <sub>IH</sub>	V <sub>DD</sub> - 0.3V	—	V <sub>DD</sub>	
Input voltage-low	V <sub>IL</sub>	V <sub>SS</sub>	—	V <sub>SS</sub> + 0.3V	
Input current high	I <sub>IH</sub>	1.5µA	3µA	6µA	V <sub>IH</sub> = V <sub>DD</sub>
Input current low	I <sub>IL</sub>	—	—	0.1µA	V <sub>IL</sub> = V <sub>SS</sub>
ENV PIN drive current	I <sub>ENV</sub>	500µA	—	—	V <sub>ENV</sub> = 0.8V
Output current (OP1)	I <sub>OL</sub>	200µA	—	1200µA	V <sub>OL</sub> = 0.8V
Output current (OP2)	I <sub>OH</sub>	200µA	—	1200µA	V <sub>OH</sub> = 0.7V

### Pin Assignments & Functions

PIN	Assignments	Descriptions
1	TSP	Output flag of melody auto stop In normal operating this pin should be open
2	CE	Chip enable If connected to V <sub>DD</sub> Chip disable If connected to V <sub>SS</sub>
3	LP	The melody plays only one song if this pin is connected to V <sub>DD</sub> The melody plays all songs if this pin connected to V <sub>SS</sub>
4	SL	A positive going edge applied to this pin the melody will change to the next song
5	AS	The melody will be repeated if this pin connected to V <sub>DD</sub> The melody will be auto stop if this pin connected to V <sub>SS</sub>
6	NC	No connection.
7	ENV	Envelope circuit terminal.
8	V <sub>SS</sub>	Negative supply power.
9	MTO	Modulated tone signal output.
10	OP1	Pre-amplifier output 1.
11	OP2	Pre-amplifier output 2.
12	MTI	Modulated tone signal input to the pre-amplifier.
13	OSC3	Pin 13-15 can be connected as an RC oscillator. External oscillating signal can be input to Pin 15.
14	OSC2	
15	OSC1	
16	V <sub>DD</sub>	Positive power supply.

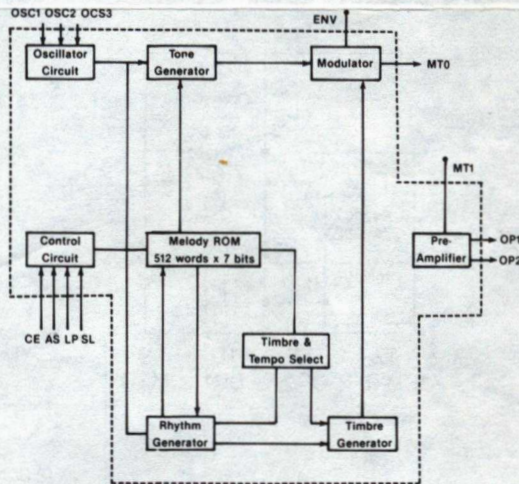
### Program Truth Table

Items	CE	SL	LP	AS	Program
1	0	X	X	X	Stand-by
2	1	0	0	0	Start from first melody → last melody → stop
3	1	0	0	1	Start from first melody → last melody → repeat from first melody
4	1	0	1	0	Start from the preset melody → stop
5	1	0	1	1	Repeat the present melody
6	1	1	0	0	Change to the next melody → last melody → stop
7	1	1	0	1	Change to the next melody → last melody → repeat from first melody
8	1	1	1	0	Change to the next melody → stop
9	1	1	1	1	Change to the next melody → repeat the same melody

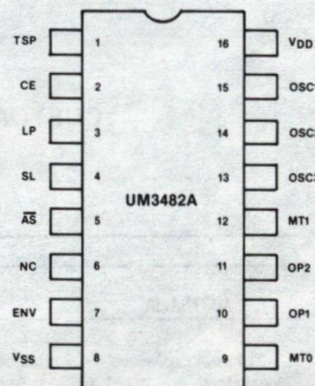
### Selections:

- |                               |                         |
|-------------------------------|-------------------------|
| AMERICAN PATROL               | ARE YOU SLEEPING        |
| RABBITS                       | HAPPY BIRTHDAY          |
| OH, MY DARLING CLEMENTINE     | JOY SYMPHONY            |
| BUTTERFLY                     | HOME SWEET HOME         |
| LONDON BRIDGE IS FALLING DOWN | WIEGENLIED              |
| ROW, ROW, ROW YOUR BOAT       | MELODY ON PURPLE BAMBOO |

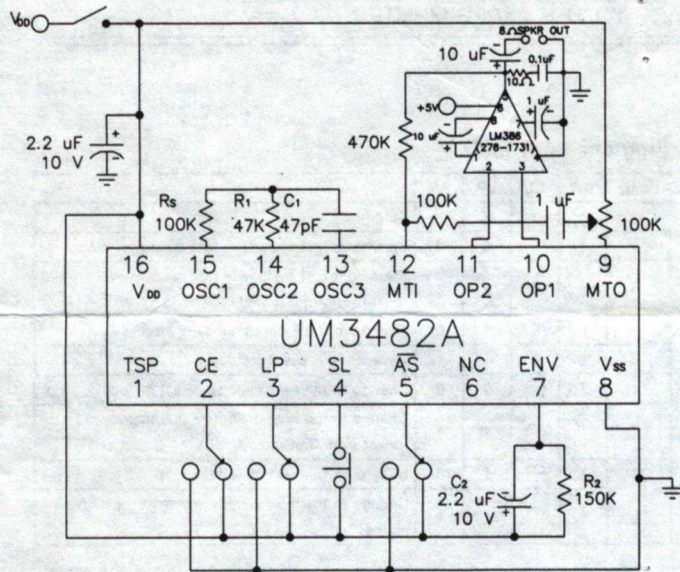
### Block Diagram



### Pin Assignment



### General Application



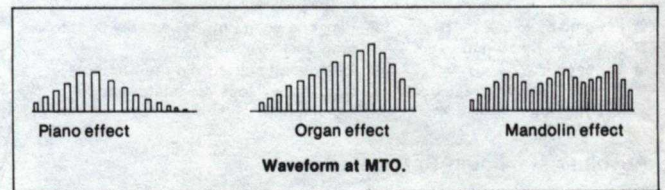
### Chime Function Application

#### Oscillator & Control Circuit

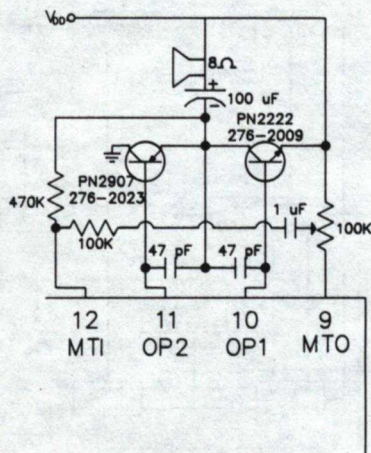
The resistor  $R_1$  & capacitor  $C_1$  are connected externally to set the frequency at 100 KHz. Addition of  $R_S$  in series with input inverter makes the circuit less sensitive to variations of supply voltage. Under the standby condition (CE is Low) the operation of the OSC is inhibited. As soon as a high level signal is applied to the CE terminal the circuit starts oscillating. Since the OSC frequency is used as a time base of the tone, rhythm and tempo generators, its accuracy will affect the quality of the melody.

#### Modulator Circuit

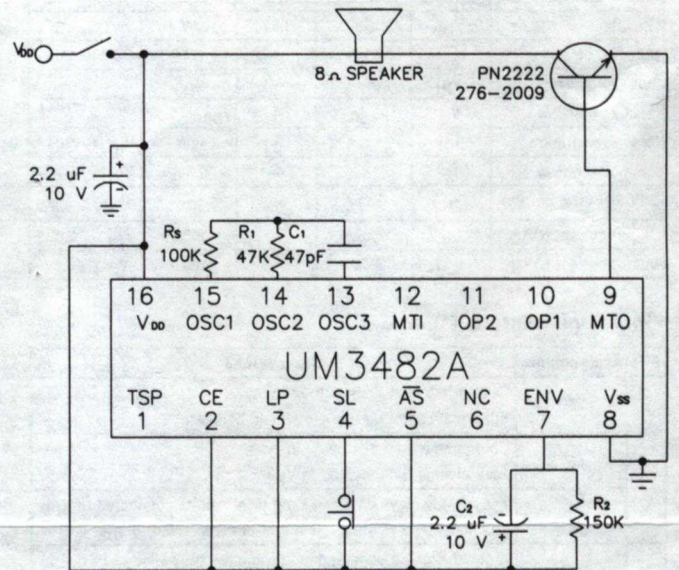
The tone signal and the timbre signal are put through the modulator circuit. The output wave is shown below. Proper selection of  $C_2$ ,  $R_2$  can produce envelopes of desired charging and discharging time.



### Alternative Amplifier Section



### Low Cost Application



If You Didn't Get This From My Site,  
Then It Was Stolen From...  
[www.SteamPoweredRadio.Com](http://www.SteamPoweredRadio.Com)

**CUSTOM MANUFACTURED FOR RADIO SHACK**  
**A Division of Tandy Corporation**

U.S.A.: FORT WORTH, TEXAS 76102  
CANADA: BARRIE, ONTARIO L4M 4W5

### TANDY CORPORATION

#### AUSTRALIA

91 Kurrajong Avenue  
Mount Druitt, N.S.W. 2770

#### BELGIUM

Rue des Pieds d'Alouette, 39  
5140 Naninne (Namur)

#### FRANCE

Centre Commercial des 3 Fontaines  
B.P. 147  
95022 Cergy Pontoise Cedex

#### U. K.

Bilston Road Wednesbury  
West Midlands WS10 7JN