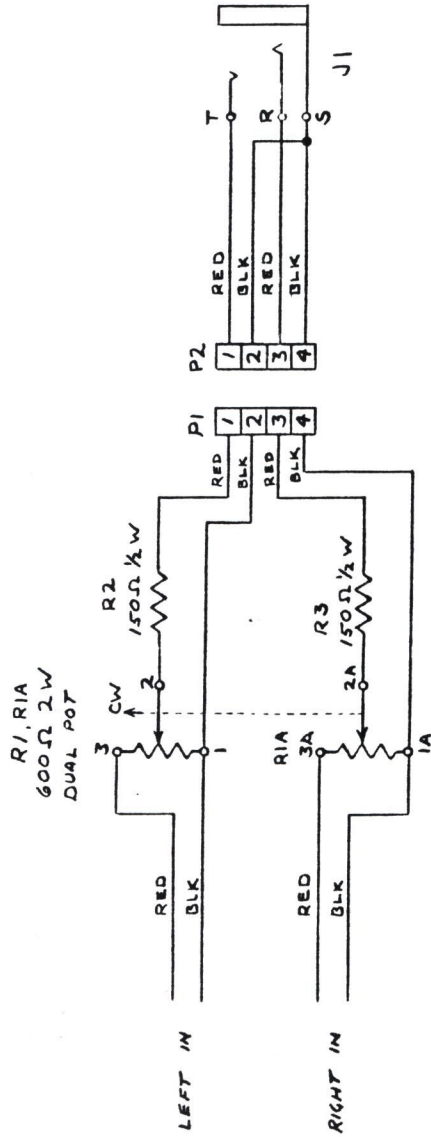


REVISIONS

ZONE	LTR	DESCRIPTION	DATE	APPROVED
	A	RELEASED	5/15/80	[Signature]



If You Didn't Get This From My Site,
Then It Was Stolen From...
www.SteamPoweredRadio.Com

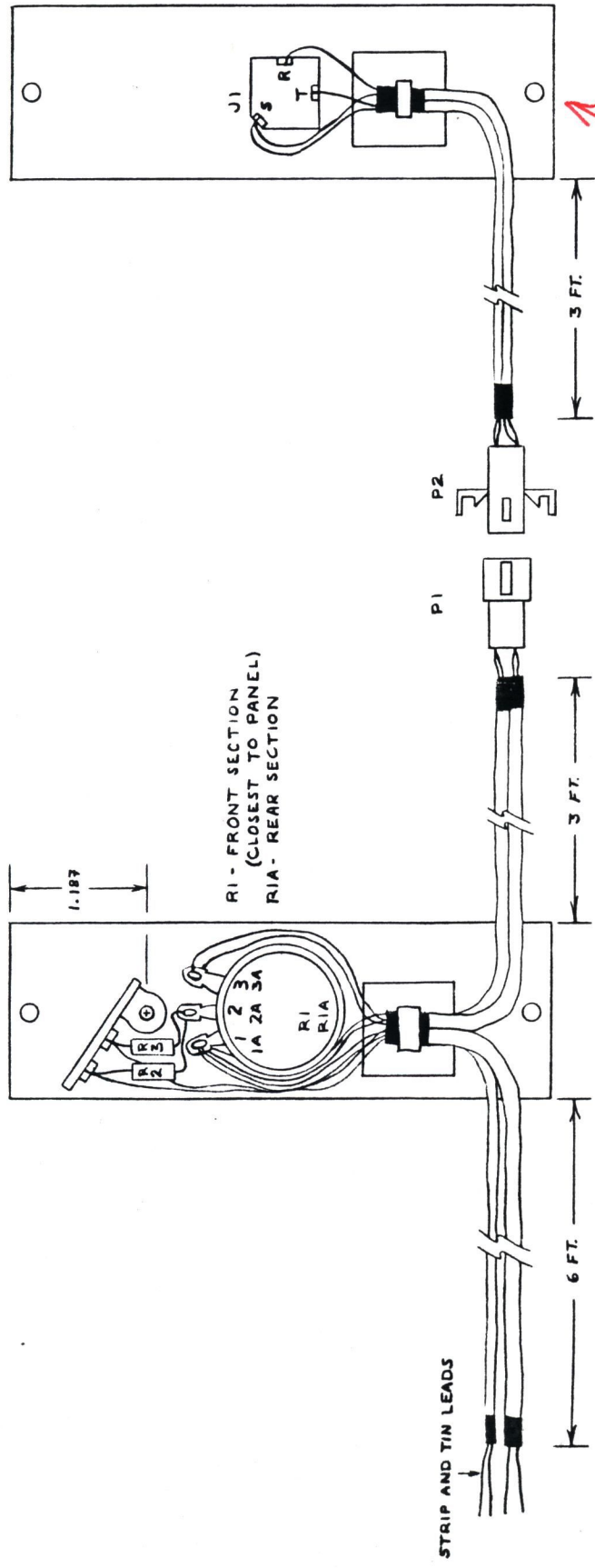
		CONTRACT NO.	
HEADPHONE LEVEL TURRET MOUNT		APPROVALS DRAWN R. Thomas CHECKED JPN	DATE 5/15/80 5/19/80
SIZE B	CODE IDENT NO. 99-102	DRAWING NO. 99-102	
SCALE		SHEET 1 OF 2	

UNLESS OTHERWISE SPECIFIED DIMENSIONS ARE IN INCHES TOLERANCES ARE:	FRACTIONS DECIMALS ANGLES ± .XX ± .XXX ±
MATERIAL	FINISH
PROJECTS	USED ON
APPLICATION	DO NOT SCALE DRAWING

1. WIRING IS BELDEN 8VST1, SHIELD IS NOT USED.

NOTES:

REVISIONS			
ZONE	LTR	DESCRIPTION	DATE
	A	RELEASED	5-16-80
			APPROVED



PACIFIC RECORDERS AND ENGINEERING CORP.		HEADPHONE LEVEL TURRET MOUNT
CONTRACT NO. APPROVALS DRAWN <i>R. Thomas</i> CHECKED	DATE 5-16-80	SIZE B
UNLESS OTHERWISE SPECIFIED DIMENSIONS ARE IN INCHES FRACTIONS DECIMALS ANGLES $\pm .XX \pm$ $\pm .XXX \pm$	MATERIAL FINISH	CODE IDENT NO. 99-102
PROJECTS USED ON	APPLICATION	DO NOT SCALE DRAWING
NEXT ASBY	SCALE	SHEET 2 OF 2

If You Didn't Get This From My Site,
 Then It Was Stolen From...
www.SteamPoweredRadio.Com

3. USE STANDARD 80-214 PANEL AND DRILL .125" HOLE FOR TERMINAL STRIP.
 2. USE SLEEVING ON LEADS OF R2 AND R3.
 1. CABLE IS BELDEN 8457, SHIELD IS NOT USED.

NOTES: