

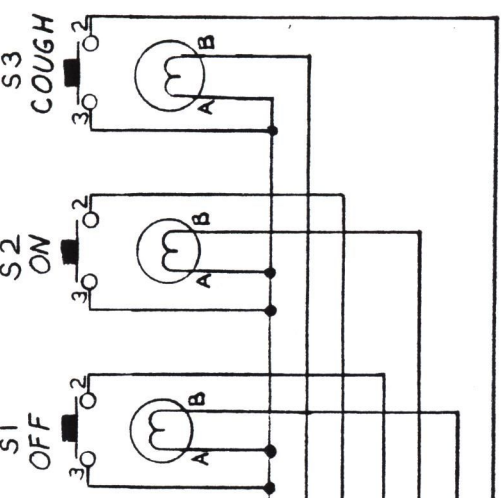
1

2

3

4

REVISIONS			
ZONE	LTR	DESCRIPTION	DATE
	A	RELEASED	11/29/79
	B	ADDED MKII WIRING	7-31-80



- MOLEX 15-PIN MALE PLUG
- 1 — BLACK
 - 2 — WHITE
 - 3 — RED
 - 4 — GREEN
 - 5 — BROWN
 - 6 — BLUE
 - 7 — ORANGE
 - 8
 - 9
 - 10
 - 11
 - 12
 - 13
 - 14
 - 15

WIRING FOR MKII MODULES

- | | | | |
|---|--------|----|--------|
| 1 | BLACK | 9 | RED |
| 2 | WHITE | 10 | GREEN |
| 3 | RED | 11 | BROWN |
| 4 | GREEN | 12 | BLUE |
| 5 | BROWN | 13 | ORANGE |
| 6 | BLUE | | |
| 7 | ORANGE | | |

(-1) A INPUT (-2) B INPUT

If You Didn't Get This From My Site, Then It Was Stolen From... www.SteamPoweredRadio.Com

PACIFIC RECORDERS AND ENGINEERING CORP.		CONTRACT NO. _____ DATE _____ APPROVALS _____ DRAWN J.D. HOWARD 9/17/79 CHECKED JPN 11/29/79	DRAWING NO. _____ CODE IDENT NO. 99-106 SIZE B SCALE _____	SHEET 1 OF 2
TURRET MICROPHONE CONTROL PANEL		UNLESS OTHERWISE SPECIFIED DIMENSIONS ARE IN INCHES FRACTIONS DECIMALS ANGLES ± .XX ± .XXX ± °	MATERIAL _____ FINISH _____	DO NOT SCALE DRAWING
NEXT ASBY _____ APPLICATION TURRET USED ON		REVISIONS 1 3		

1. CABLE IS BELDEN #8448 (CUT-OFF UNUSED YELLOW) LENGTH IS 3 FEET



1

2

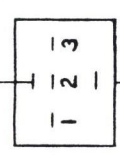
3

4

ZONE	LTR	DESCRIPTION	DATE	APPROVED
		SEE SHT 4		

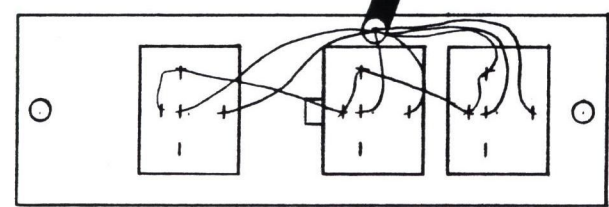


SI-3
REAR VIEW



LAMP-A

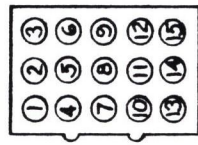
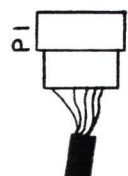
LAMP-B



COUGH
S3

ON
S2

OFF
S1



PI
REAR VIEW

COLOR	GAUGE	FROM	TO (-1)	TO (-2)	REMARKS
BUSS	22	S3-LAMP-A	S3-3	S3-3	SLEEVED
		S3-3	S2-LAMP-A	S2-LAMP-A	
		S2-LAMP-A	S2-3	S2-3	
		S2-3	S1-LAMP-A	S1-LAMP-A	
BUSS		S1-LAMP-A	S1-3	S1-3	SLEEVED
BLK.		S1-3	PI-1	PI-1	
WHT		S3-LAMP-B	PI-2	PI-2	
RED		S2-2	PI-3	PI-9	
GRN		S1-2	PI-4	PI-10	
BRN		S2-LAMP-B	PI-5	PI-11	
BLU		S1-LAMP-B	PI-6	PI-12	
ORG	22	S3-2	PI-7	PI-13	

CONTRACT NO.		DATE	
APPROVALS		2/17/81	
DRAWN		SLT	
CHECKED			
UNLESS OTHERWISE SPECIFIED DIMENSIONS ARE IN INCHES FRACTIONS DECIMALS ANGLES ± .XX ± .XXX ±			
MATERIAL		FINISH	
DO NOT SCALE DRAWING			
NEXT ASSY	APPLICATION	USED ON	

3. TIE WRAP CABLE TO S2 FOR STRAIN RELIEF. POSITION THE KNOT BETWEEN SWITCHES.
 2. CUT OFF UNUSED YELLOW WIRE
 1. CABLE IS BELDEN #8448, 3 FT. LG.

NOTES

PACIFIC RECORDERS AND ENGINEERING CORP.
 ASSY-TURRET MICRO-PHONE CONTROL PANEL
 CODE IDENT NO. 99-106
 DRAWING NO. B
 REV B
 SHEET 2 OF 2

If You Didn't Get This From My Site,
 Then It Was Stolen From...
 www.SteamPoweredRadio.Com