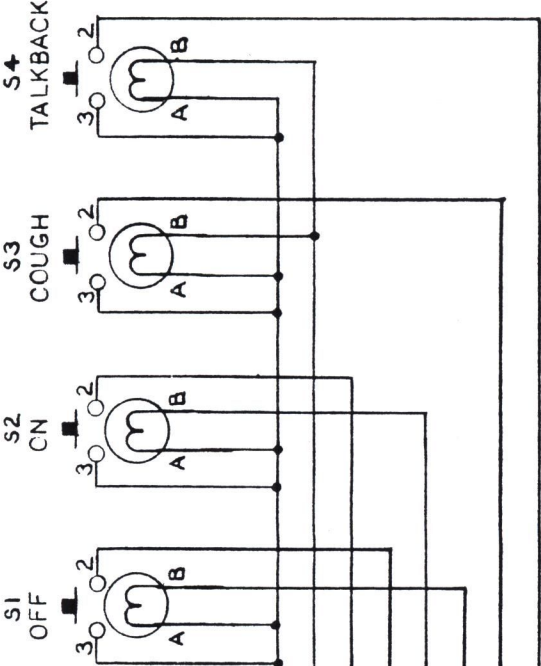


4 3 2 1

REVISIONS		DATE	APPROVED
ZONE	LTR		
	A	12-19-79	JM
DESCRIPTION			
RELEASED			



\*15-607  
MOLEX  
15 PIN MALE  
PLUG

- 1 BLACK
- 2 WHITE
- 3 RED
- 4 GREEN
- 5 BROWN
- 6 BLUE
- 7 ORANGE
- 8 YELLOW

- 1 BLACK
- 2 WHITE
- 9 RED
- 10 GREEN
- 11 BROWN
- 12 BLUE
- 13 ORANGE
- 14 YELLOW

(-1) "A" INPUT CONNECTIONS

(-2) "B" INPUT CONNECTIONS

UNLESS OTHERWISE SPECIFIED DIMENSIONS ARE IN INCHES FRACTIONS DECIMALS ANGLES ± .XX ± .XXX ±		CONTRACT NO. APPROVALS DRAWN J.D. HOWARD CHECKED JPN DATE 9/11/79 12/19/79
MATERIAL FINISH		SIZE CODE IDENT NO. DRAWING NO. B 99-98
NEXT ASY APPLICATION USED ON		SCALE SHEET 1 OF 2

**PACIFIC RECORDERS AND ENGINEERING CORP.**  
**TURRET MICROPHONE CONTROL PANEL**

1 CABLE IS BELDEN #8448  
 LENGTH IS 3 FEET,  
 NOTES:



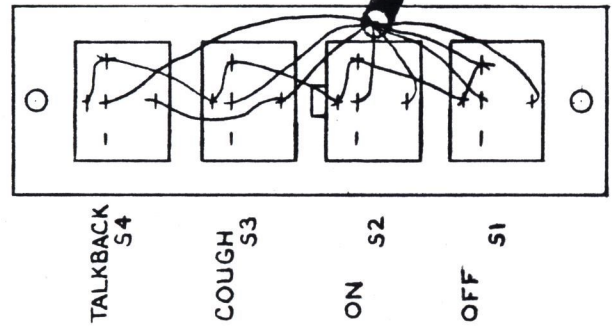
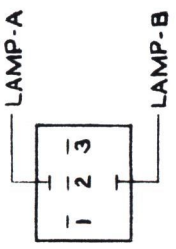
4 3 2 1

If You Didn't Get This From My Site,  
 Then It Was Stolen From...  
 www.SteamPoweredRadio.Com

REVISIONS		DATE	APPROVED
ZONE	LTR	DESCRIPTION	
	A	RELEASED	



SI-S4  
REAR VIEW



PI  
REAR VIEW

COLOR	GAUGE	FROM	TO (-1)	TO (-2)	REMARKS
BUSS	22	S4-LAMP-A	S4-3	S4-3	SLEEVED
		S4-3	S3-LAMP-A	S3-LAMP-A	
		S3-LAMP-A	S3-3	S3-3	
		S3-3	S2-LAMP-A	S2-LAMP-A	
		S2-LAMP-A	S2-3	S2-3	
		S2-3	S1-LAMP-A	S1-LAMP-A	
BUSS		S1-LAMP-A	S1-3	S1-3	SLEEVED
BLK		S1-3	PI-1	PI-1	
BUSS		S3-LAMP-B	S4-LAMP-B	S4-LAMP-B	SLEEVED
WHT		S3-LAMP-B	PI-2	PI-2	
RED		S2-2	PI-3	PI-9	
GRN		S1-2	PI-4	PI-10	
BRN		S2-LAMP-B	PI-5	PI-11	
BLU		S1-LAMP-B	PI-6	PI-12	
ORG		S3-2	PI-7	PI-13	
YEL	22	S4-2	PI-8	PI-14	

If You Didn't Get This From My Site,  
Then It Was Stolen From...  
www.SteamPoweredRadio.Com

**PACIFIC RECORDERS AND ENGINEERING CORP.**  
ASSEMBLY-TURRET MIC-ROPHONE CONTROL PANEL

CONTRACT NO. \_\_\_\_\_ DATE 2-16-81  
APPROVALS DRAWN SLT CHECKED  
UNLESS OTHERWISE SPECIFIED DIMENSIONS ARE IN INCHES TOLERANCES ARE FRACTIONS DECIMALS ANGLES .XX ± .XXX ±

SCALE B SIZE CODE IDENT NO. DRAWING NO. 99-98 REV A

DO NOT SCALE DRAWING	USED ON
APPLICATION	
NEXT ASSY	

- NOTES
2. TIE WRAP CABLE TO S2 FOR STRAIN RELIEF. POSITION THE KNOT BETWEEN THE SWITCHES.
  1. CABLE IS BELDEN #8448, 3 FT. LG.