

### 8.3.4 TI-2 Tape Interface

The TI-2 Tape Interface (PR&E #99-111) was designed for use with those commercial reel to reel tape machines which use +12 to +28 volt logic. Each TI-2 accommodates one machine. For a schematic of this interface, as well as a diagram of the console to TI-2 interface cable (PR&E #99-464), see Section 8.4.

**NOTE:** This interface may also be used with cartridge machines. In this event, use console to interface cable #99-38 if the replay lockout function is desired.



If You Didn't Get This From My Site,  
Then It Was Stolen From...

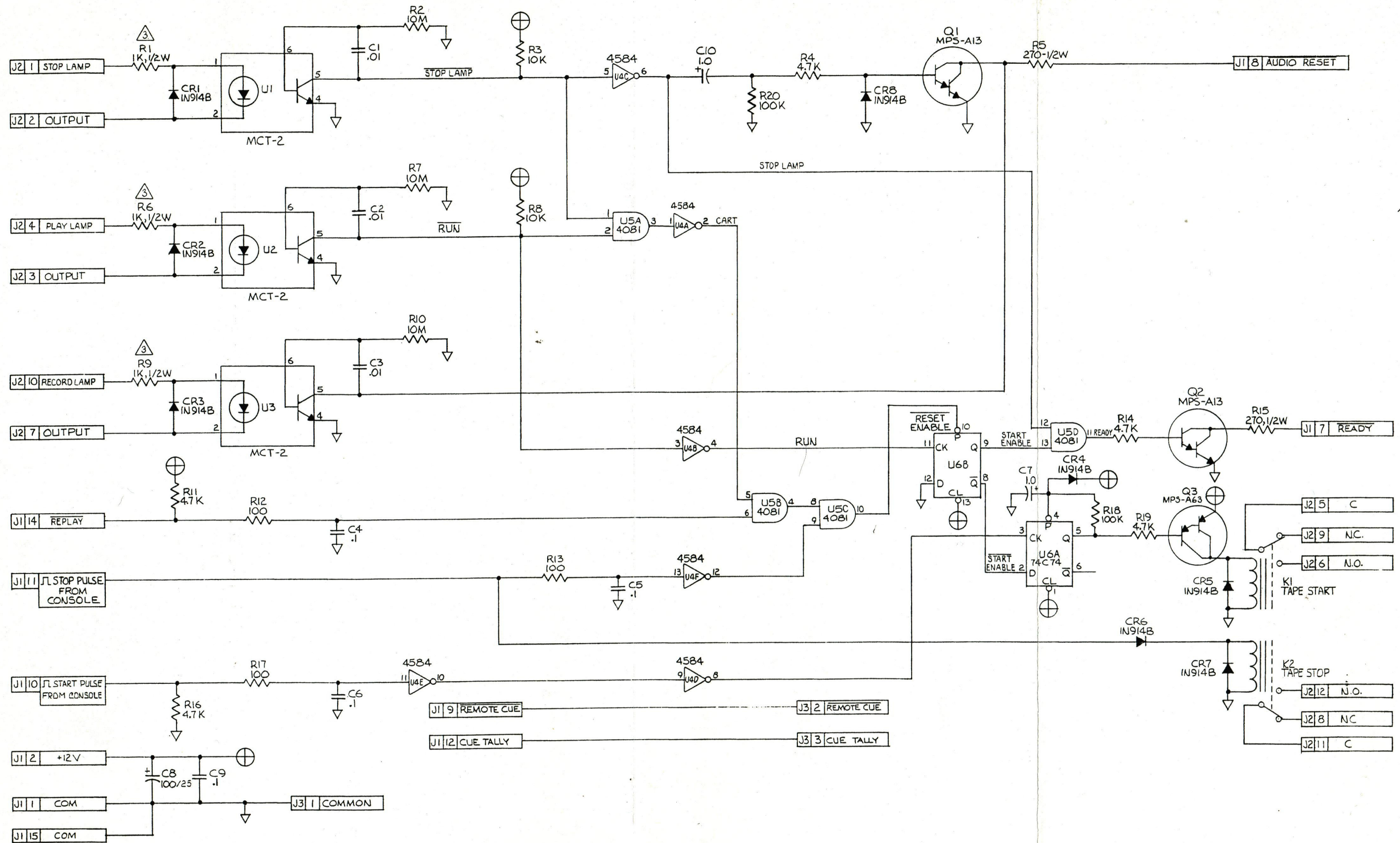
[www.SteamPoweredRadio.Com](http://www.SteamPoweredRadio.Com)

A

B

C

D



LAST REF. DES. USED				
R	CR	C	Q	U
20	8	10	3	6

- ⚠️ -0 CONFIGURATION SHOWN. FOR -1: R1, R6, AND R9 ARE 180 OHM, 1/2 W. (5V OPERATION).
2. FOR REPLAY, INSTALL JUMPER BETWEEN J1-14 AND J1-15.
1. UNLESS OTHERWISE SPECIFIED, ALL RESISTORS ARE 1/4W 5%, ALL CAPACITORS ARE MEASURED IN MICROFARADS.

NOTES

If You Didn't Get This From My Site,  
Then It Was Stolen From...  
[www.SteamPoweredRadio.Com](http://www.SteamPoweredRadio.Com)

