



8.0 ACCESSORIES

This chapter contains descriptions of the various BMX II console accessories. Included are sections describing clocks and timers, the Line Output Assignment Switcher, the Redundant Power Supply Coupler Unit, and auxiliary equipment interfaces.

Section 8.5 contains schematics for the accessories described below.

8.1 CLOCKS AND TIMERS

BMX II meter panel clock and timer positions are defined in Figure 2.4. These positions accommodate the TD-2 Digital Clock (PR&E #99-179-1) or the TD-171 Digital Slave Clock (PR&E #99-312-1), and the DT-4 Digital Timer (PR&E #99-180-1).

8.1.1 TD-2 Digital Clock

The TD-2 is a six-digit (hours, minutes, seconds) general purpose digital clock. The only connection required at the rear of the clock is the external power source (PR&E #50-17, supplied with the clock).

Setting the clock requires the use of a small magnet tool (PR&E #90-151) to operate the Hall-effect switches located immediately behind the front panel lens. These switches are centered beneath the three pairs of digits about 1/4" above the bottom of the bezel, as shown in Figure 8.1.

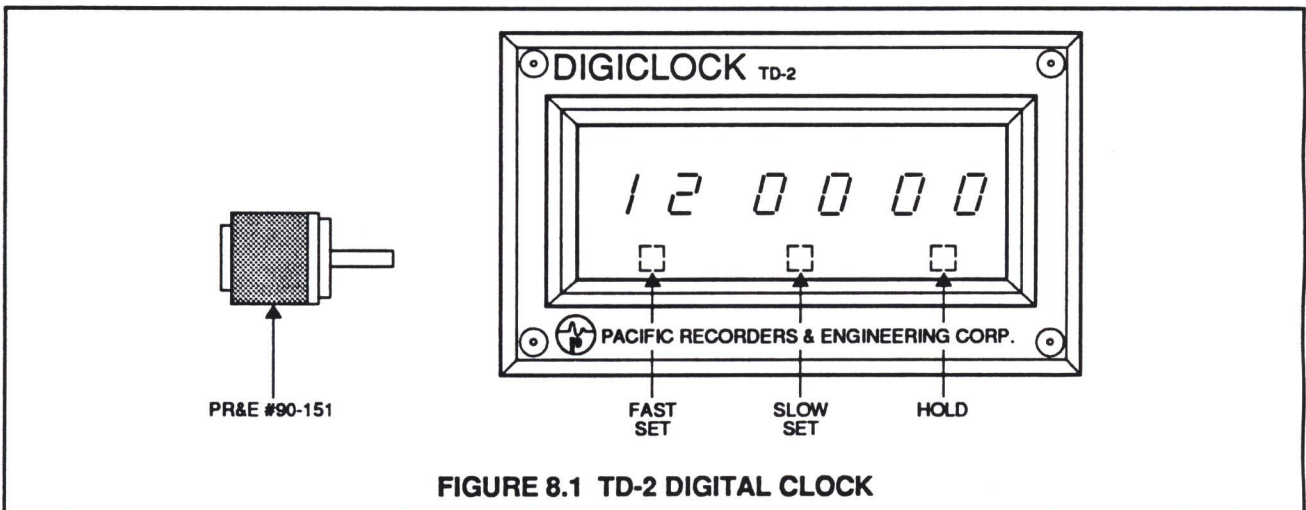


FIGURE 8.1 TD-2 DIGITAL CLOCK

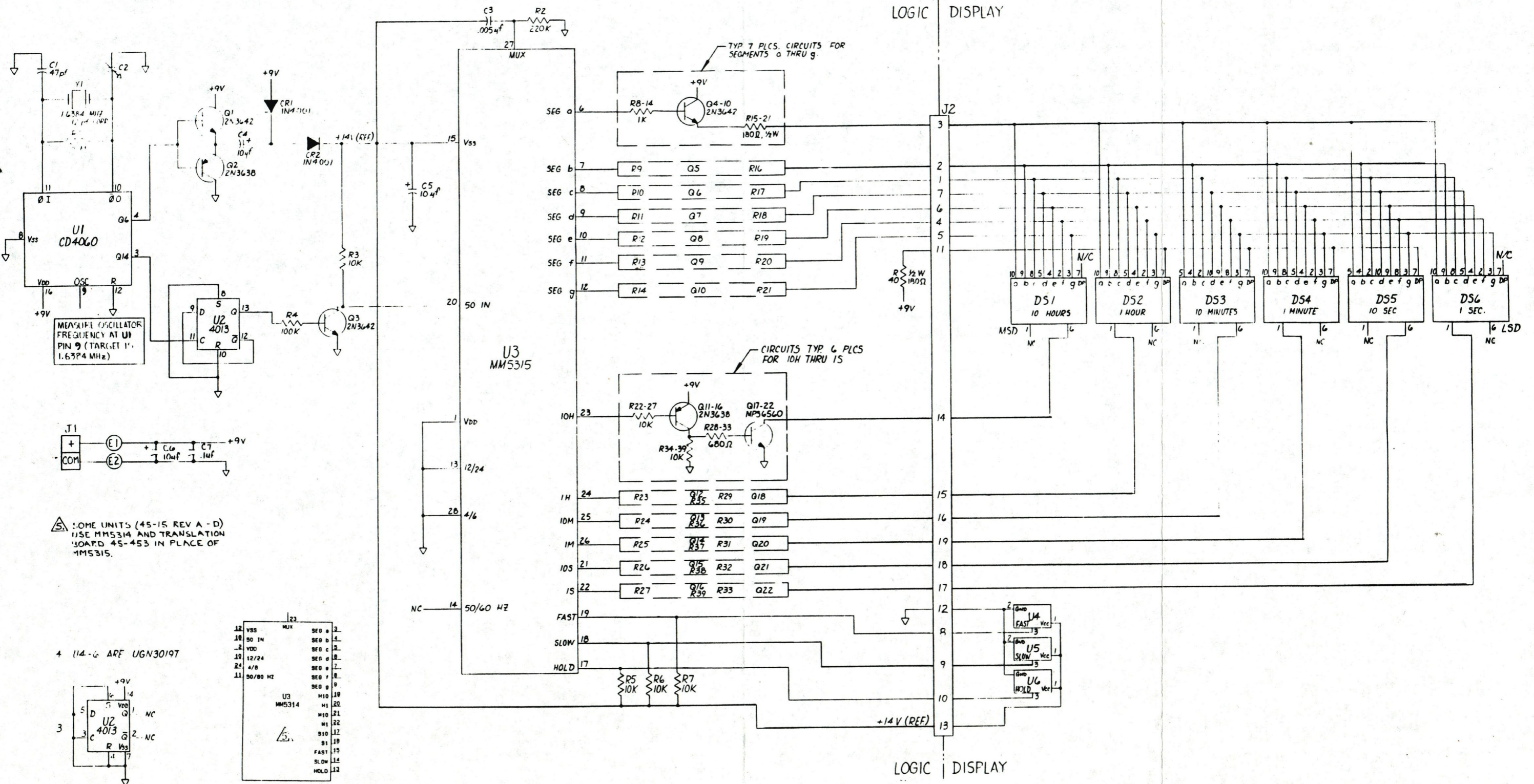
To adjust the clock, place the end of the adjusting magnet against the panel in the appropriate area. Use the FAST SET switch to advance the hours, and the SLOW SET switch to advance the minutes. The HOLD switch will cause the hours, minutes and seconds to stop and hold at their current setting.

CIRCUITRY

The TD-2 is designed around MM5314 digital clock integrated circuit U3. The time base is supplied by crystal oscillator/divider circuit Y1 and U1. The voltage doubler circuit of Q1, Q2, C4, CR1, CR2, and

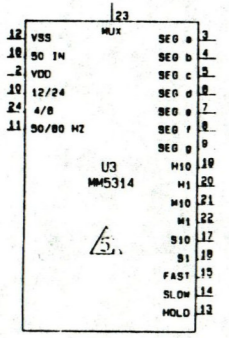
C5 provides the high positive voltage required to pin 15 of U3. The display multiplex frequency is determined by C3 and R2.

The segments of displays DS1 through DS6 are driven by transistors Q4 through Q10, and the digits are selected by inverters Q11 through Q16 and drivers Q17 through Q22. Hall-effect switches U4 through U6 are magnetically activated to set the clock's FAST, SLOW and HOLD functions.

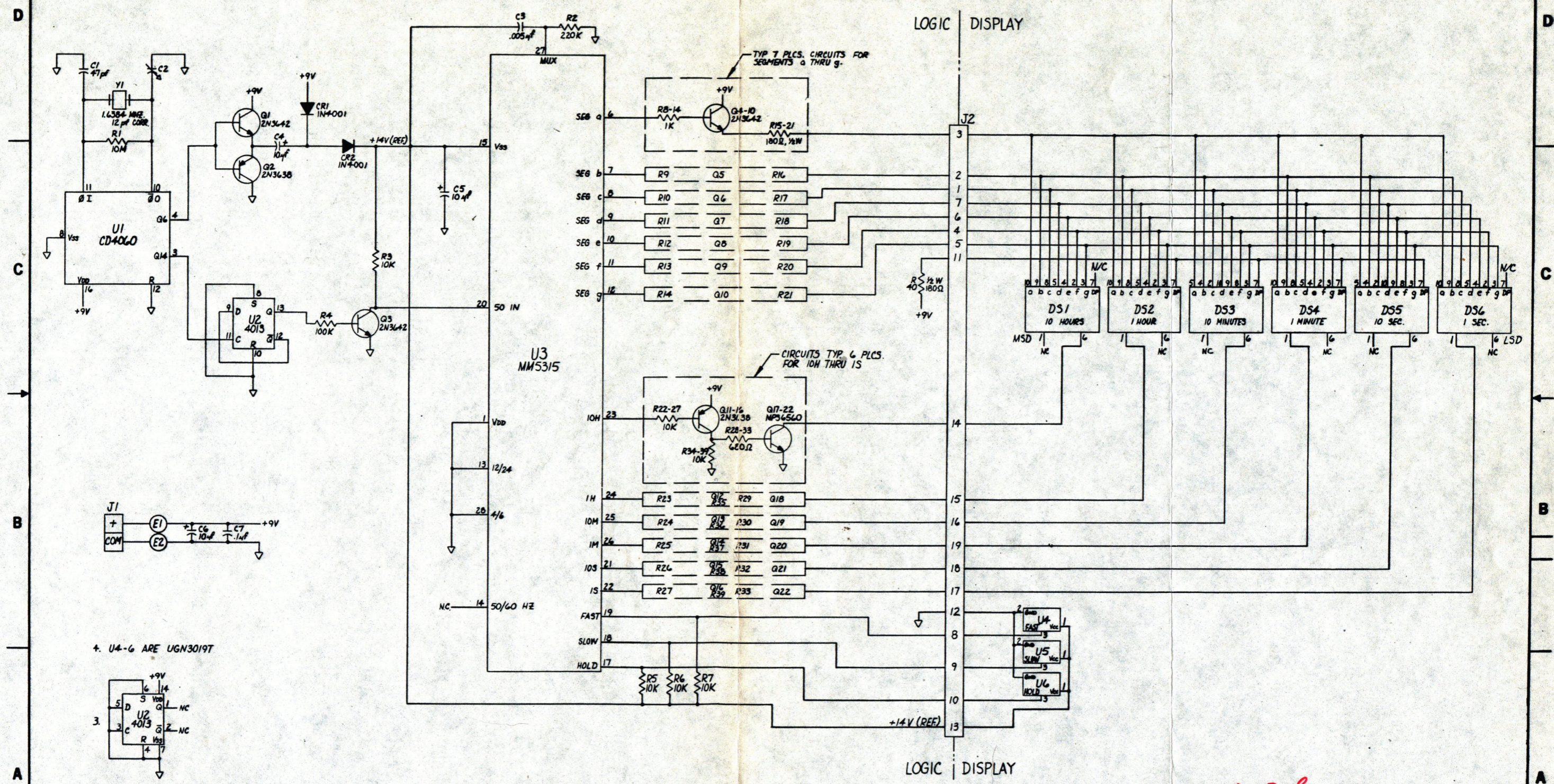


△ SOME UNITS (45-15 REV A - D) USE MM5314 AND TRANSLATION BOARD 45-453 IN PLACE OF MM5315.

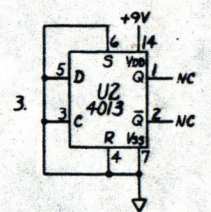
4 114-G ARF UGN30197



REVISIONS				
ZONE	LTR	DESCRIPTION	DATE	APPROVED



4. U4-6 ARE UGN3019T



2. DS1-6 ARE HP-5082-7623

1. ALL RESISTORS ARE IN OHMS, 1/4W, 5% UNLESS OTHERWISE SPECIFIED



If You Didn't Get This From My Site,
Then It Was Stolen From...
www.SteamPoweredRadio.Com



8.1.2 TD-1 DIGITAL CLOCK
PACIFIC RECORDERS AND ENGINEERING CORPORATION

TD-2 &