

8.3.1 TCI-2A Cartridge Interface

The TCI-2A Cartridge Interface (PR&E #99-165) was specifically designed for use with PR&E TOMCAT and Micromax cart machines. Each TCI-2A can accommodate up to three reproducers or recorder/reproducers. For a schematic of this interface, as well as a diagram of the console to interface cable (PR&E #99-38), see Section 8.4.

NOTE: If you already have TCI-2 interfaces for TOMCAT, they may be modified slightly to work with both TOMCAT and Micromax cart machines, as follows:

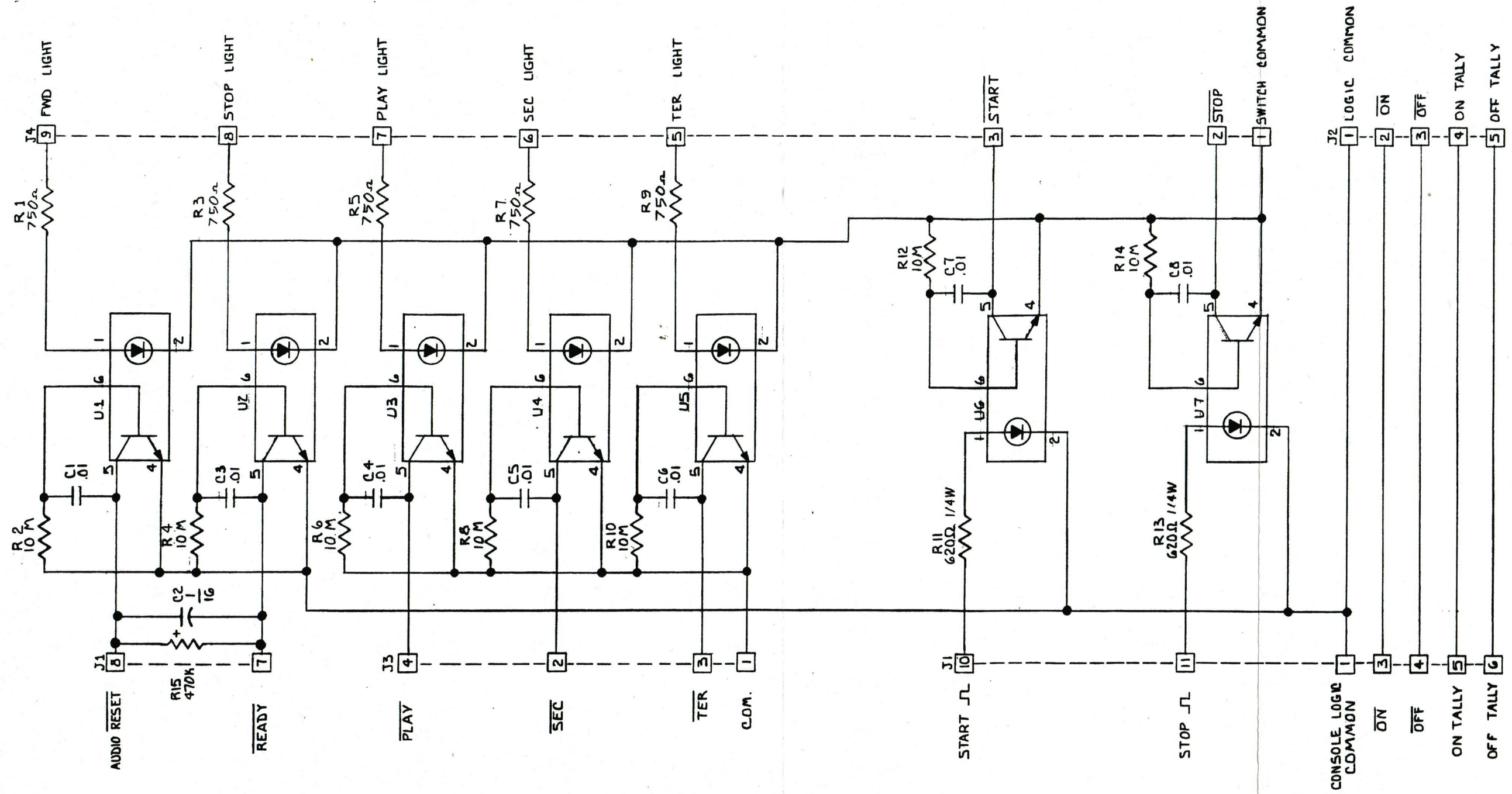
1. Replace resistors R1, R3, R5, R7 and R9 with 750 ohm, 1/2 watt resistors (PR&E #3-751).
2. On the component side of the PC board, cut the trace going to J4 pin 4.
3. Add an insulated jumper wire between J4 pin 1 and the trace that previously went to J4 pin 4 (which was cut in step 2).
4. Verify that resistor R14 is a 10M ohm, 1/4 watt resistor (PR&E #2-106).

A

B

C

D



2. U1 THRU U7 ARE TYPE MGT-2.
 1. UNLESS OTHERWISE SPECIFIED ALL RESISTORS ARE 1/4 W, 5%,
 ALL CAPACITORS ARE MEASURED IN MICROFARADS
 — NOTES —



If You Didn't Get This From My Site,
 Then It Was Stolen From...
www.SteamPoweredRadio.Com