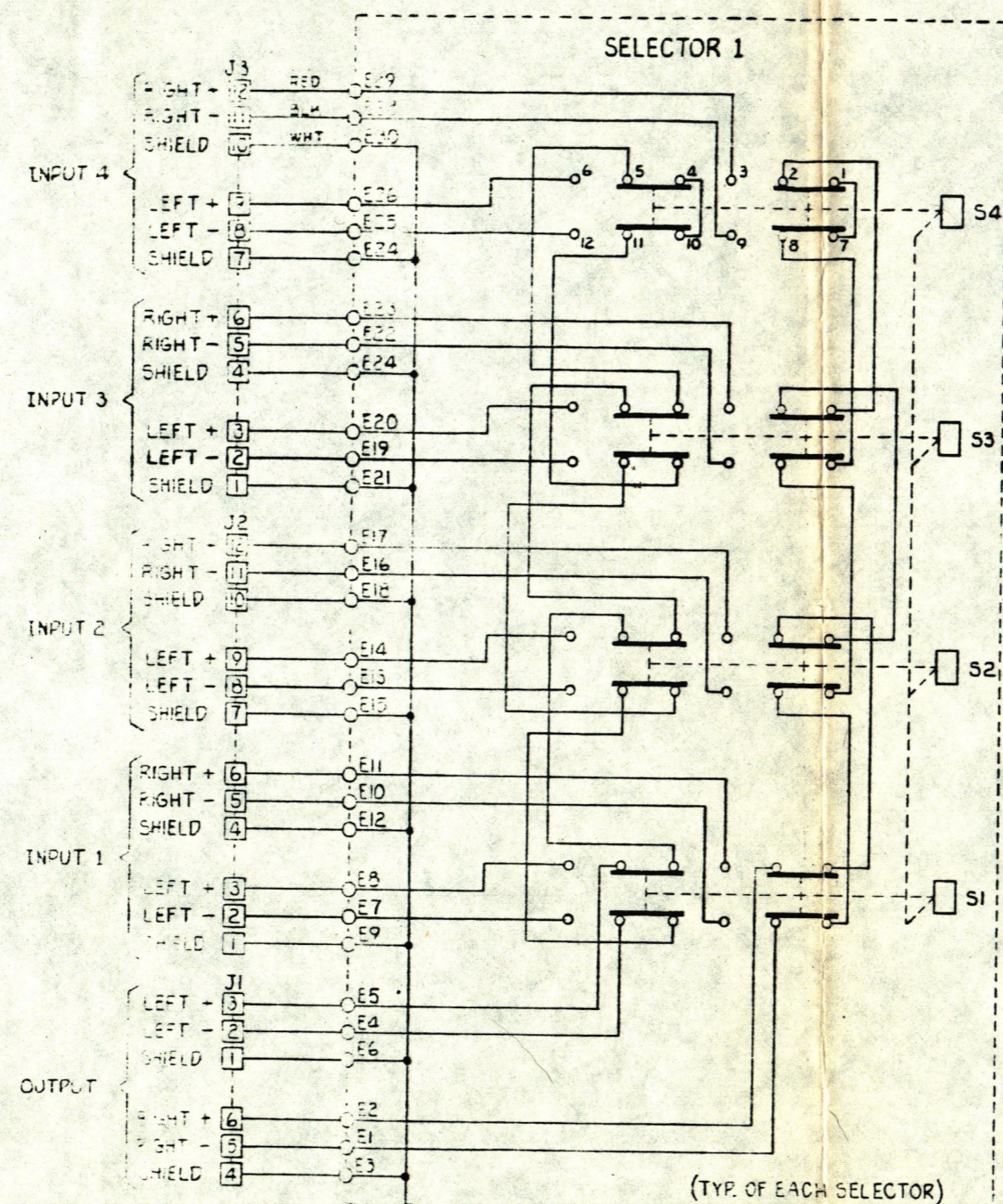


REVISIONS				
ZONE	LTR	DESCRIPTION	DATE	APPROVED
	A	RELEASED	12.6.82	P.T.
	B	D'NG WAS C SIZE SEE ELD 2096	10.11.85	JJA



SELECTOR 2			
FUNCTION	J6		SW.
INPUT 4	RIGHT +	12	E59
	RIGHT -	11	E58
	SHIELD	10	E60
	LEFT +	9	E56
	LEFT -	8	E55
	SHIELD	7	E57
INPUT 3	RIGHT +	6	E53
	RIGHT -	5	E52
	SHIELD	4	E54
	LEFT +	3	E50
	LEFT -	2	E49
	SHIELD	1	E51
INPUT 2	RIGHT +	12	E47
	RIGHT -	11	E46
	SHIELD	10	E48
	LEFT +	9	E44
	LEFT -	8	E43
	SHIELD	7	E45
INPUT 1	RIGHT +	6	E41
	RIGHT -	5	E40
	SHIELD	4	E42
	LEFT +	3	E38
	LEFT -	2	E37
	SHIELD	1	E39
OUTPUT	LEFT +	3	E35
	LEFT -	2	E34
	SHIELD	1	E36
	RIGHT +	6	E32
	RIGHT -	5	E31
	SHIELD	4	E33

SELECTOR 4			
FUNCTION	J12		SW.
INPUT 2	RIGHT +	12	E77
	RIGHT -	11	E76
	SHIELD	10	E78
	LEFT +	9	E74
	LEFT -	8	E73
	SHIELD	7	E75
INPUT 1	RIGHT +	6	E71
	RIGHT -	5	E70
	SHIELD	4	E72
	LEFT +	3	E68
	LEFT -	2	E67
	SHIELD	1	E69
OUTPUT	LEFT +	3	E65
	LEFT -	2	E64
	SHIELD	1	E66
	RIGHT +	6	E63
	RIGHT -	5	E62
	SHIELD	4	E61
INPUT 4	RIGHT +	12	E119
	RIGHT -	11	E118
	SHIELD	10	E120
	LEFT +	9	E116
	LEFT -	8	E115
	SHIELD	7	E117
INPUT 3	RIGHT +	6	E113
	RIGHT -	5	E112
	SHIELD	4	E114
	LEFT +	3	E110
	LEFT -	2	E109
	SHIELD	1	E111
INPUT 2	RIGHT +	12	E107
	RIGHT -	11	E106
	SHIELD	10	E108
	LEFT +	9	E105
	LEFT -	8	E103
	SHIELD	7	E104
INPUT 1	RIGHT +	6	E101
	RIGHT -	5	E100
	SHIELD	4	E102
	LEFT +	3	E98
	LEFT -	2	E97
	SHIELD	1	E99
OUTPUT	LEFT +	3	E95
	LEFT -	2	E94
	SHIELD	1	E96
	RIGHT +	6	E92
	RIGHT -	5	E91
	SHIELD	4	E93

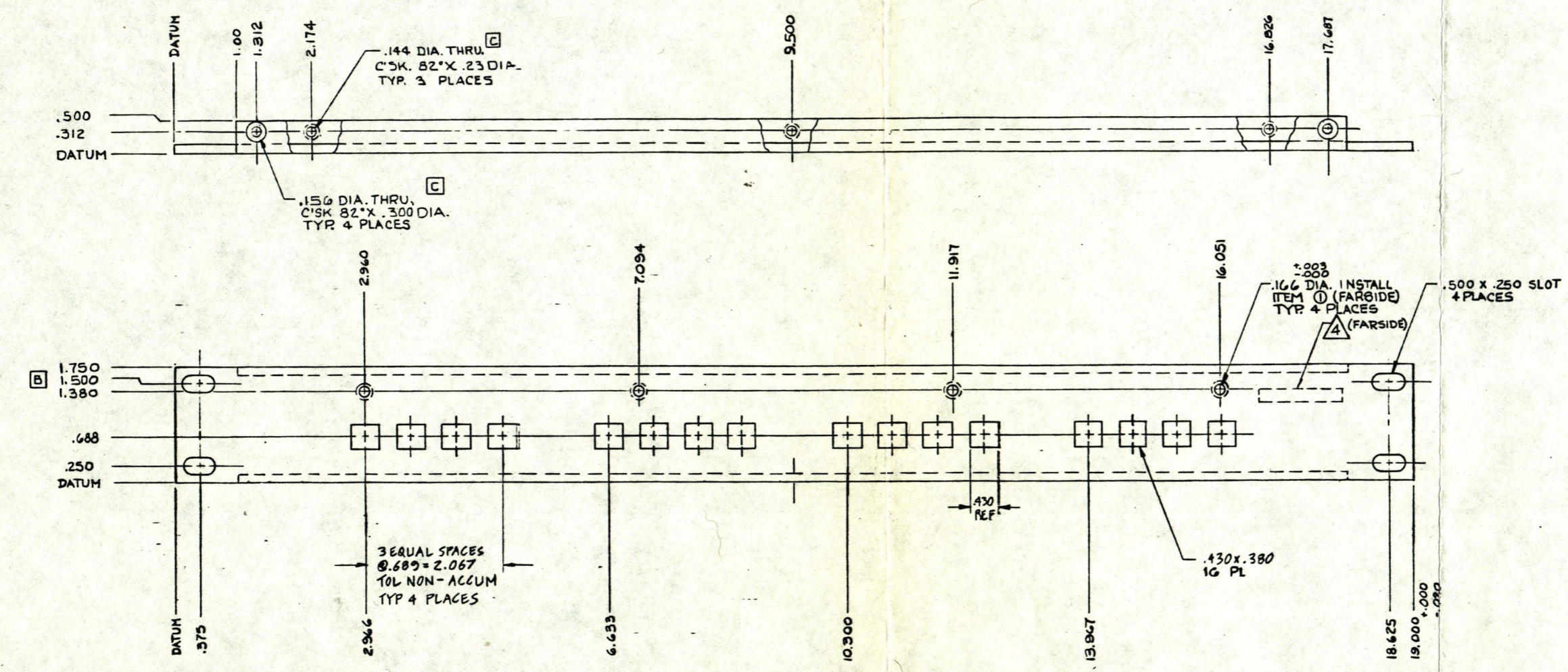
QTY REQD	CODE IDENT	PART OR IDENTIFYING NO.	NOMENCLATURE OR DESCRIPTION
PARTS LIST			
UNLESS OTHERWISE SPECIFIED DIMENSIONS ARE IN INCHES TOLERANCES ARE:		CONTRACT NO.	
FRACTIONS	DECIMALS	ANGLES	
±	XX ±	±	
	XXX ±		
MATERIAL		APPROVALS	DATE
		DRAWN R NELSON	
		CHECKED P. Thomas	
FINISH		PACIFIC RECORDERS AND ENGINEERING CORP.	
		LS-4 STEREO INPUT SELECTOR SCHEMATIC	
SIZE	CODE IDENT NO.	DRAWING NO.	REV
B		92-24	B
SCALE		SHEET 1 OF 1	

NEXT ASSY	USED ON
	99-152
APPLICATION	
DO NOT SCALE DRAWING	

If You Didn't Get This From My Site,  
Then It Was Stolen From...  
www.SteamPoweredRadio.Com



REVISIONS				
ZONE	LTR	DESCRIPTION	DATE	APPROVED
A		RELEASED FOR PROTOTYPE	8-25-81	R.T.
B		1.500 WAS 1.250	9-2-81	R.T.
C		CHGD .156 DIA. CSK. TO .144 DIA. CSK. PL	10-14-81	R.T.
D		.430 x .380 CUT-OUT WERE .438 DIA 16 PL SEE ECO # 2059 & 2060	1-20-85	R.T.



- 5. SILKSCREEN, SHEET 2 THIS DWG., CARRIES OWN REV. LETTER. SILKSCREEN ITEM WITH BLACK INK, USING SILKSCREEN REV. D.
- 4. IDENTIFY BY RUBBER STAMPING PART NO., DASH NO., AND LATEST REV. IN APPROX. AREA SHOWN.
- 3. FINISH: CHEM FILM, THEN PAINT PER MIL-SPECIFICATIONS, MED. 17110P1.
- 2. MATERIAL: C663 T52 BARBULED AL .156 x .004 x .125 x .11

4	CLS-440-3	FASTENER, SELF CLINCHING #4-40	PEM	1
QTY REQD	CODE IDENT	PART OR IDENTIFYING NO.	NOMENCLATURE OR DESCRIPTION	VENDOR
PARTS LIST				
UNLESS OTHERWISE SPECIFIED DIMENSIONS ARE IN INCHES TOLERANCES ARE: FRACTIONS = 1/32    DECIMALS .XX = .010 = 1/2"    ANGLES XXX = .005		CONTRACT NO.		
MATERIAL SEE NOTE 1/2		APPROVALS    DATE DRAWN SIR    8-25-81 CHECKED P. Thomas    7.1.81		
APPLICATION		<b>PACIFIC RECORDERS AND ENGINEERING CORP.</b> FRONT PANEL RECORDER INPUT SELECTOR <b>LS-4</b>		
DO NOT SCALE DRAWING		D    SHEET 1 OF 1		