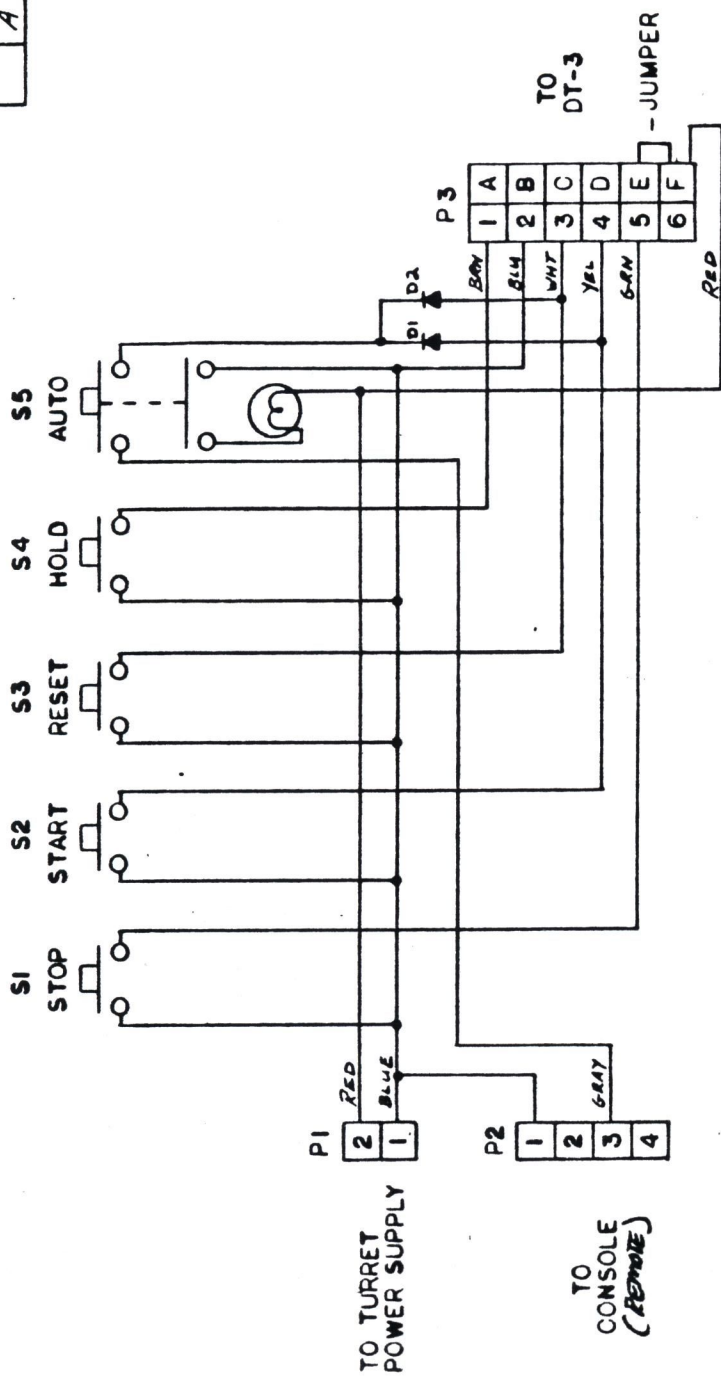


1 2 3 4

REVISIONS

ZONE	LTR	DESCRIPTION	DATE	APPROVED
	A	RELEASED	11/29/79	[Signature]



<b>PACIFIC RECORDERS AND ENGINEERING CORP.</b> TIMER TURRET PANEL MTG. WITH AUTO		CONTRACT NO. APPROVALS DRAWN <i>R. Thomas</i> CHECKED <i>JPN</i> DATE 11/29/79	CODE IDENT NO. DRAWING NO. <b>99-95</b> SIZE <b>B</b> SCALE SHEET / OF 2
UNLESS OTHERWISE SPECIFIED DIMENSIONS IN INCHES FRACTIONS DECIMALS ANGLES 1/2 3/4 1/8 1/16 30 45 90	MATERIAL FINISH	DO NOT SCALE DRAWING	USED ON APPLICATION



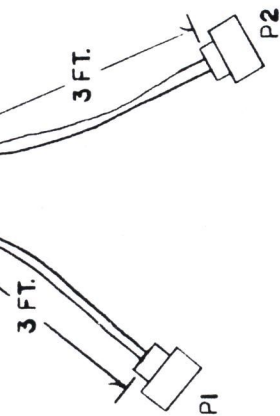
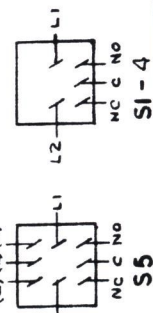
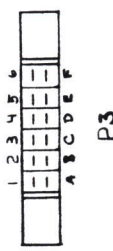
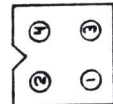
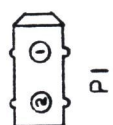
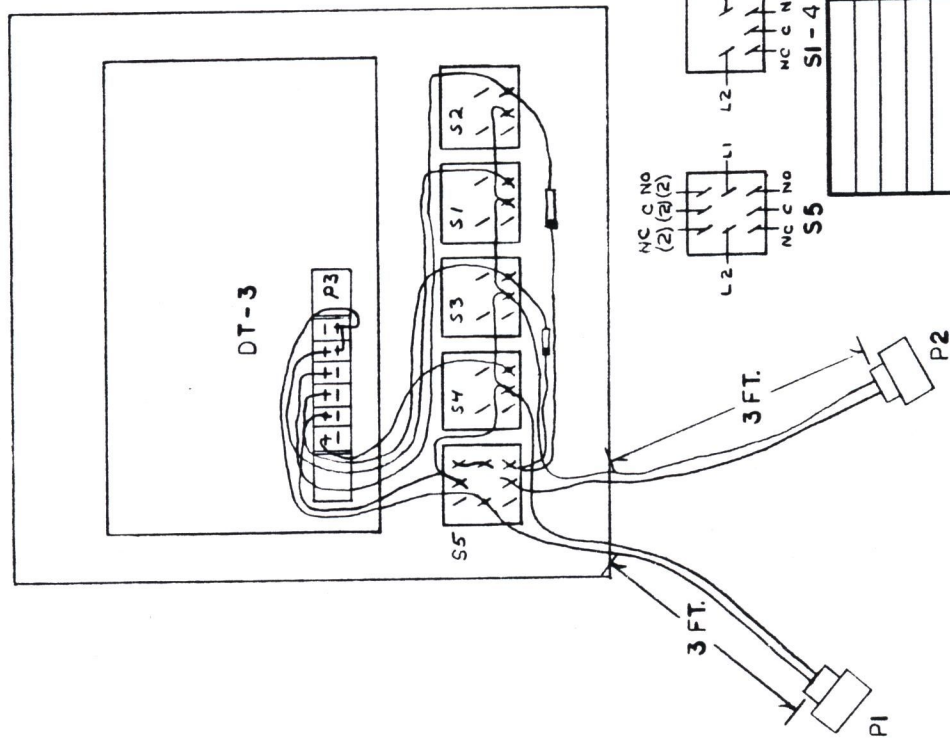
If You Didn't Get This From My Site,  
 Then It Was Stolen From...  
[www.SteamPoweredRadio.Com](http://www.SteamPoweredRadio.Com)

REVISIONS		DATE	APPROVED
ZONE	LTR	DESCRIPTION	
	A	RELEASED	

WIRE COLOR	GA.	FROM	TO
BROWN	22	S4-N.O.	P3-1
BLUE	1	S5-C(2)	P3-2
BUSS		S5-C(2)	S4-C
BUSS		S4-C	S3-C
BUSS		S3-C	S1-C
BUSS		S1-C	S2-C
WHITE		S3-N.O.	P3-3
YELLOW		S2-N.O.	P3-4
GREEN		S1-N.O.	P3-5
RED		P1-2	S5-L2
RED		S5-L2	P3-F
BLUE		P1-1	S4-C
BLUE		P2-1	S3-C
GRAY		P2-3	S5-C
D2		S5-N.O.	S2-N.O.
BUSS	22	S5-L1	S5-N.O.(2)

INSULATE LEADS OF D1 AND D2

REAR VIEW



REAR VIEWS OF SWITCHES AND CONNECTORS

**PACIFIC RECORDERS AND ENGINEERING CORP.**  
**TIMER**  
 TURRET PANEL MTG. WITH AUTO

CONTRACT NO.	DATE
APPROVALS	DRAWN <i>R. Thomas</i>
CHECKED	
UNLESS OTHERWISE SPECIFIED DIMENSIONS ARE IN INCHES TOLERANCES ARE FRACTIONS DECIMALS ANGLES	
± .XX ±	±
± .XXX ±	±
MATERIAL	
FINISH	
DO NOT SCALE DRAWING	

SIZE	CODE IDENT NO.	DRAWING NO.
B		99-95
SCALE	NONE	SHEET 2 OF 2



If You Didn't Get This From My Site, Then It Was Stolen From...  
[www.SteamPoweredRadio.Com](http://www.SteamPoweredRadio.Com)

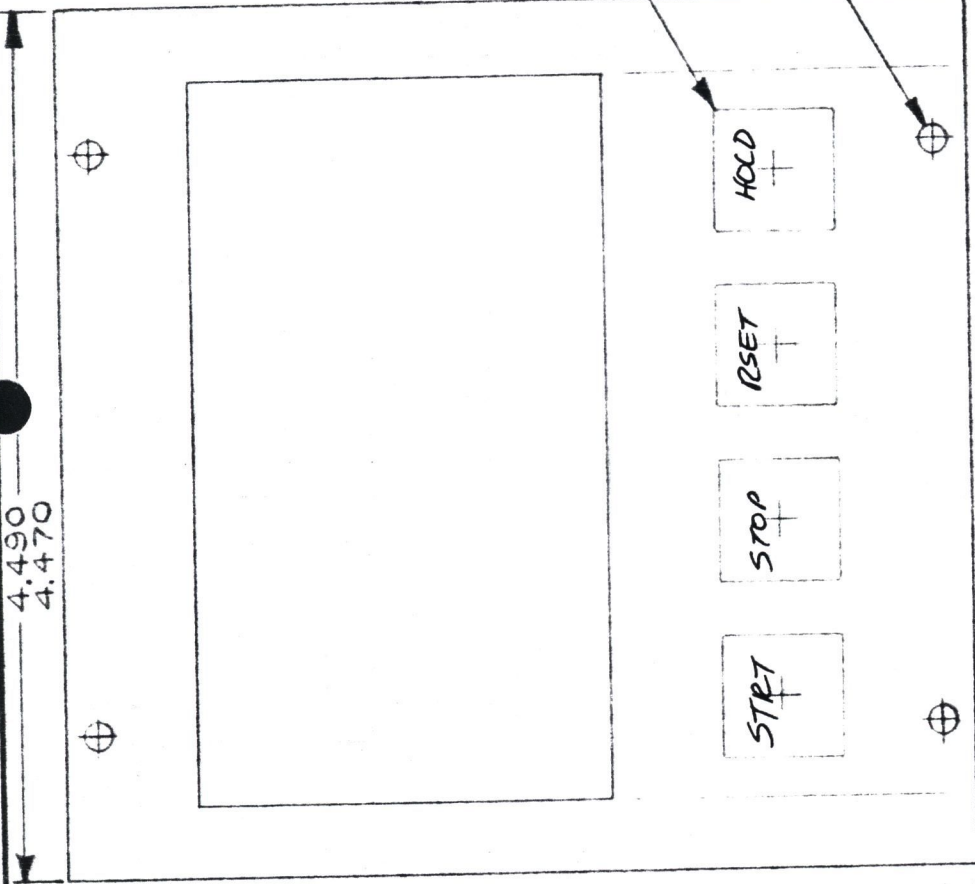
If You Didn't Get This From My Site,  
Then It Was Stolen From...  
www.SteamPoweredRadio.Com



# 99-96

DIAL LIGHT BLUE  
BUTTONS  
BY MONTAGNA  
ALL PLACES

.156 DIA  
4-PLACES



4.490  
4.470

4.562

4.05

1.90

1.00

.188

3.60  
3.75  
4.11

.39  
.75  
.90

DATUM

**PACIFIC RECORDERS  
AND ENGINEERING CORP.**

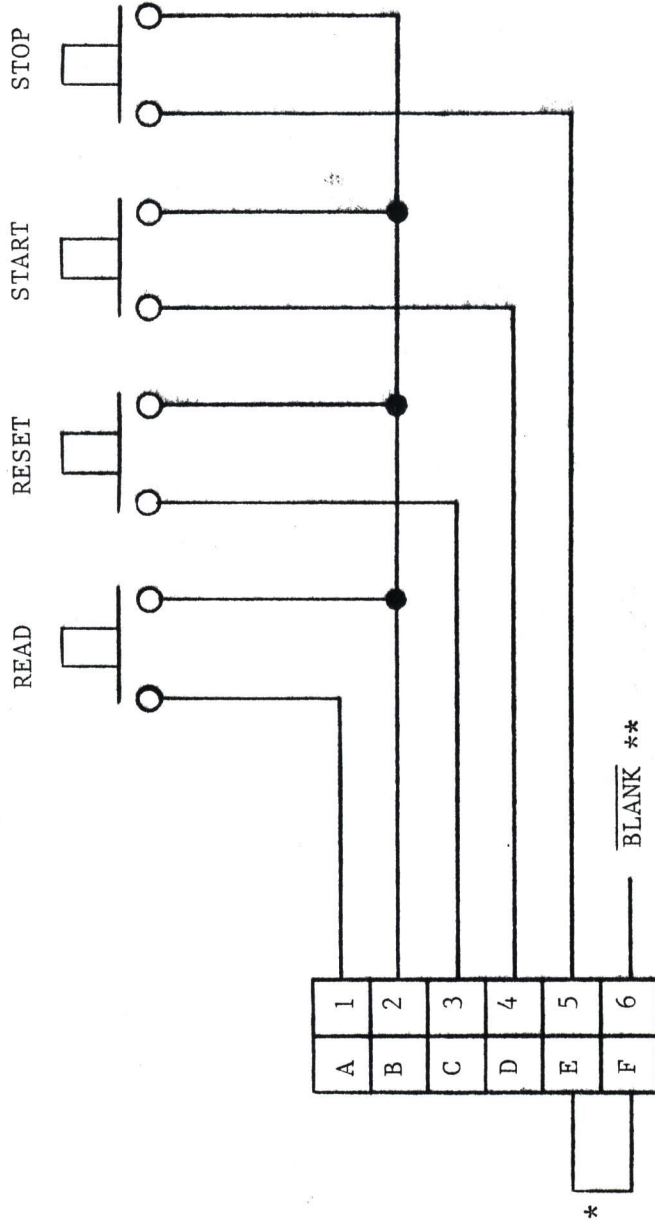
PANEL, TURRET, TIMER MOUNTING

CONTRACT NO.		DATE
APPROVALS	DATE	
DRAWN	8/1/79	
CHECKED	8/13/79	
J. NELSON		

UNLESS OTHERWISE SPECIFIED DIMENSIONS ARE IN INCHES TOLERANCES ARE:	ANGLES
± 1/32 .xx ± .02 ± 1/2	
MATERIAL	
.125 AL ALLOY	
FINISH	
RITE SPEC-1	
DO NOT SCALE DRAWING	

APPLICATION	USED ON
OVERBRIDGE	
NEXT ASSY	

SIZE	CODE IDENT NO.	DRAWING NO.	REV
A		80-194	A
SCALE	FULL	SHEET	OF



\*\*to blank entire display, connect to supply COM (pin#2).

\* connect this jumper for continuous display of 1/10 second digit; otherwise, it will be displayed only in READ and STOP modes.

If You Didn't Get This From My Site,  
Then It Was Stolen From...  
[www.SteamPoweredRadio.Com](http://www.SteamPoweredRadio.Com)

		<b>PACIFIC RECORDERS AND ENGINEERING CORP.</b>			REMOTE CONTROL DIAGRAM, DT-3	
		CONTRACT NO.	DATE		SIZE	CODE IDENT NO.
UNLESS OTHERWISE SPECIFIED DIMENSIONS ARE IN INCHES TOLERANCES ARE:		APPROVALS	DRAWN <i>JKW</i>	CHECKED	A	SCALE <i>AS SHOWN</i>
FRACTIONS DECIMALS ANGLES $\pm$ .XX $\pm$ .XXX $\pm$		1-25-79		A		SHEET / OF /
MATERIAL		FINISH		DO NOT SCALE DRAWING		APPLICATION
NEXT ASSY		USED ON		BISHOP GRAPHICS/ACCUPRESS REORDER NO. A4502		