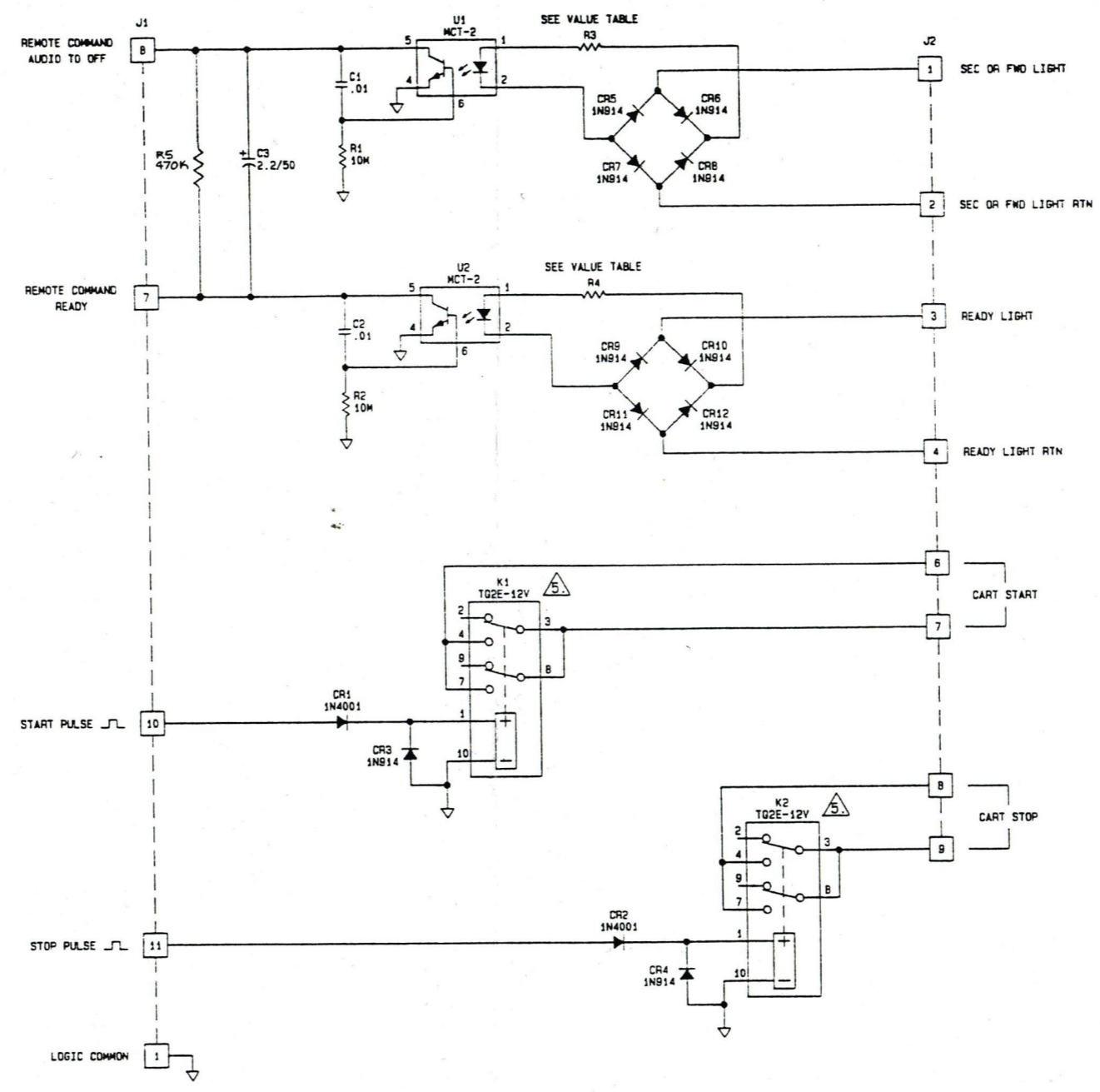




8.3.3 CI-2 Cartridge Interface (+5 Volt Logic)

The CI-2 Cartridge Interface (PR&E #99-125-1) was designed for use with those commercial cart machines which use +5 volt logic feedback. Its function is identical to the CI-2 Interface for +12 to +28 volt logic. For a schematic of this interface, as well as a diagram of the console to interface cable (PR&E #99-38), see Section 8.4.



If You Didn't Get This From My Site,
Then It Was Stolen From...
www.SteamPoweredRadio.Com

- △ PC BOARDS WITH REV A & B USES A2 530-09-2 RELAYS.
- 4. FOR PCA SEE DRAWING 90-170 LATEST REV.
- 3. NP=NONPOLARIZED
- 2. ALL CAPACITORS ARE MEASURED IN MICROFARADS.
- 1. ALL RESISTORS ARE 1/4W, 5%.
- NOTES : UNLESS OTHERWISE SPECIFIED.



5 Volt Control Values →

VALUE TABLE			
DASH No	REF	DES	VALUE
99-125-1	R3		100Ω 1/4W
	R4		100Ω 1/4W