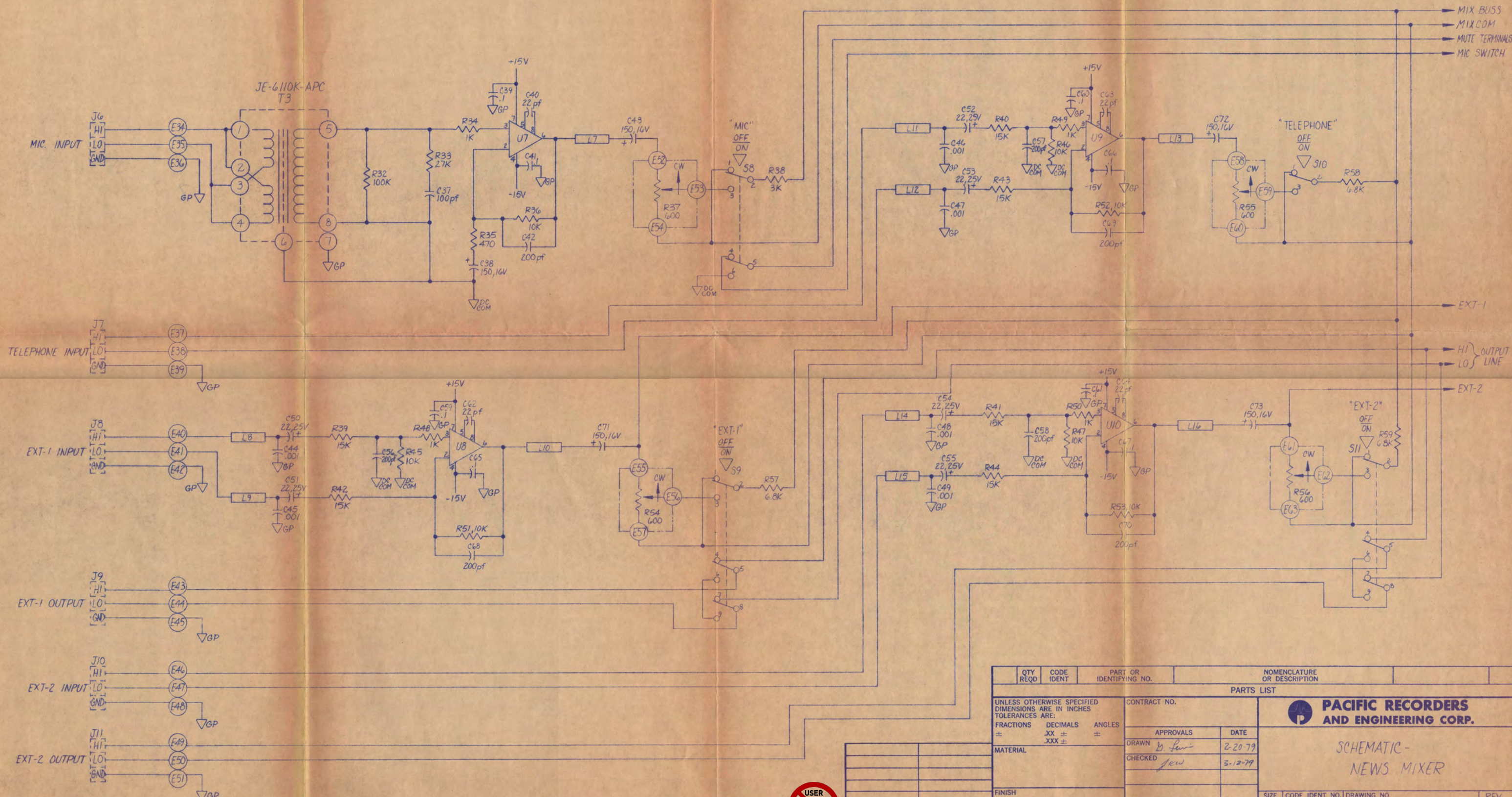


| ZONE | | LTR | | REVISIONS | DATE | APPROVED |
|------|--|-----|--|-------------|------|----------|
| | | | | DESCRIPTION | | |
| | | | | | | |

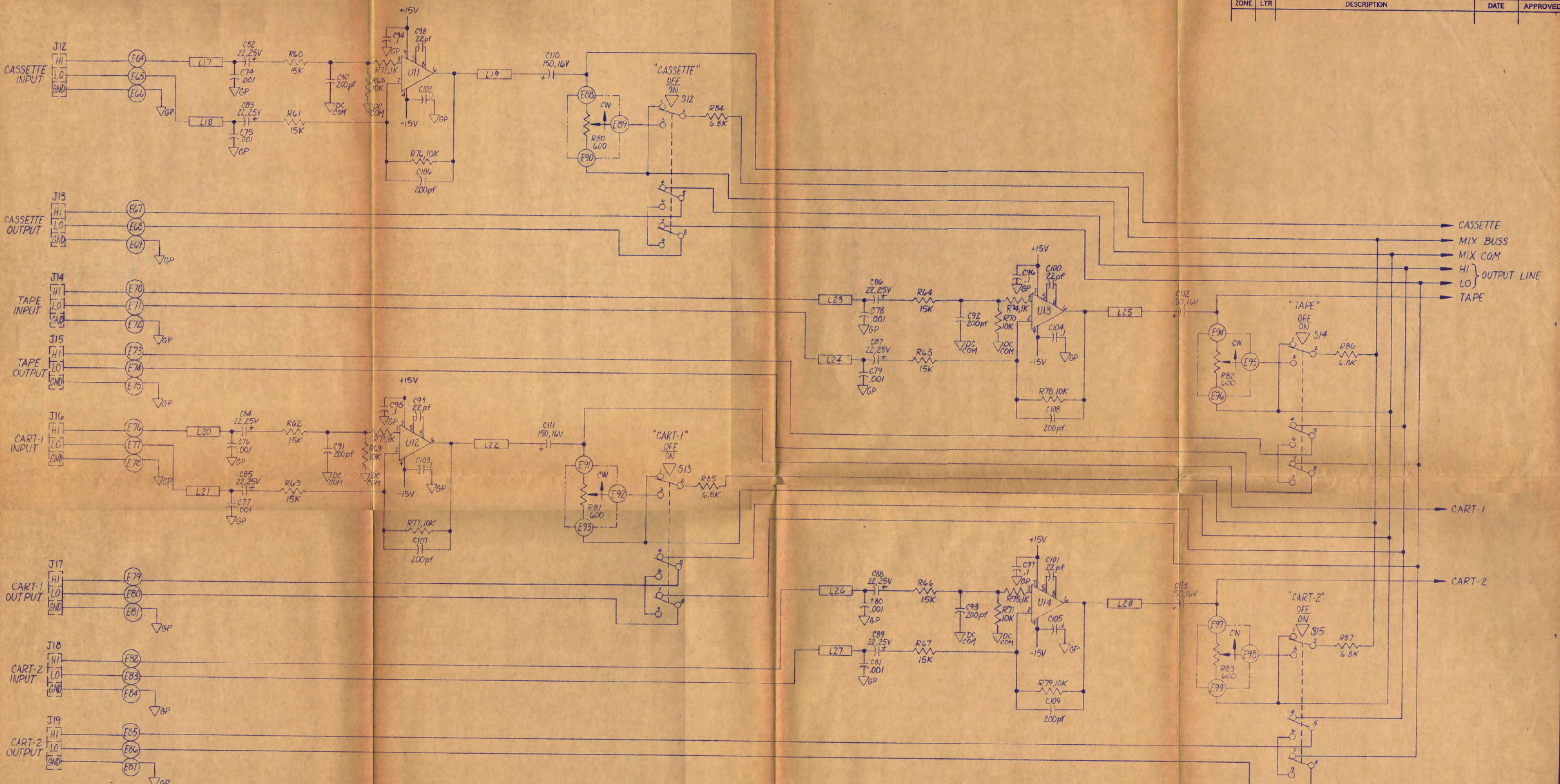


| QTY REQD | CODE IDENT | PART OR IDENTIFYING NO. | NOMENCLATURE OR DESCRIPTION |
|---|------------|--|--------------------------------|
| PARTS LIST | | | |
| UNLESS OTHERWISE SPECIFIED DIMENSIONS ARE IN INCHES TOLERANCES ARE: | | CONTRACT NO. | |
| FRACTIONS | DECIMALS | ANGLES | |
| ± | .XX ± | ± | |
| | .XXX ± | | |
| MATERIAL | | APPROVALS | DATE |
| FINISH | | DRAWN <i>D. Lewis</i> | 2-20-79 |
| NEXT ASSY | | CHECKED <i>Jew</i> | 3-12-79 |
| USED ON | | PACIFIC RECORDERS AND ENGINEERING CORP. SCHEMATIC - NEWS MIXER | |
| APPLICATION | | | |
| DO NOT SCALE DRAWING | SCALE | SIZE | CODE IDENT NO. DRAWING NO. REV |
| | | D | 99-74 A |
| | | | SHEET 3 OF |

If You Didn't Get This From My Site,
Then It Was Stolen From...
www.SteamPoweredRadio.Com



| ZONE | | LTR | | REVISIONS | | DATE | APPROVED |
|------|--|-----|--|-------------|--|------|----------|
| | | | | DESCRIPTION | | | |
| | | | | | | | |



- CASSETTE
- MIX BUSS
- MIX COM
- HI } OUTPUT LINE
- LO }
- TAPE

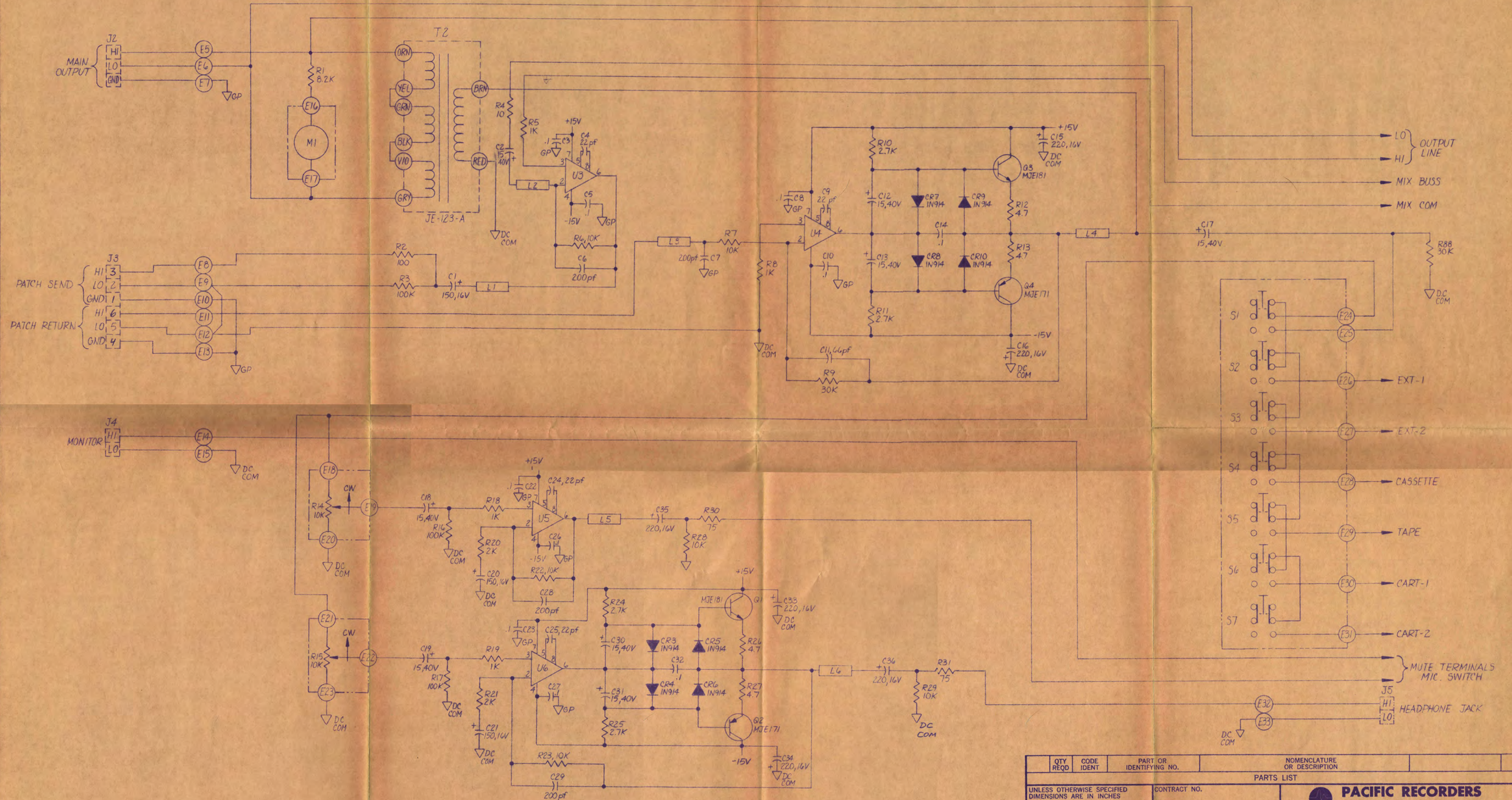
- CART-1
- CART-2

| QTY REQD | CODE IDENT | PART OR IDENTIFYING NO. | NOMENCLATURE OR DESCRIPTION |
|---|------------|--|-----------------------------|
| PARTS LIST | | | |
| UNLESS OTHERWISE SPECIFIED DIMENSIONS ARE IN INCHES TOLERANCES ARE: | | CONTRACT NO. | |
| FRACTIONS | DECIMALS | ANGLES | |
| ± | .XX ± | ± | |
| | .XXX ± | | |
| MATERIAL | | APPROVALS | DATE |
| FINISH | | DRAWN <i>J. J. J.</i> | 2-21-79 |
| NEXT ASSY | | CHECKED <i>J. K. W.</i> | 2-22-79 |
| USED ON | | <div style="text-align: center;"> <p>PACIFIC RECORDERS AND ENGINEERING CORP.</p> <p>SCHEMATIC - NEWS MIXER</p> </div> | |
| APPLICATION | | | |
| DO NOT SCALE DRAWING | | SIZE | CODE IDENT NO. DRAWING NO. |
| | | D | 99-74 |
| | | SCALE | REV |
| | | | A |
| | | SHEET 4 OF | |

If You Didn't Get This From My Site,
Then It Was Stolen From...
www.SteamPoweredRadio.Com



| REVISIONS | | | | |
|-----------|-----|--------------|---------|--------------------|
| ZONE | LTR | DESCRIPTION | DATE | APPROVED |
| A | | RELEASED GML | 2-19-79 | <i>[Signature]</i> |



| QTY REQD | CODE IDENT | PART OR IDENTIFYING NO. | NOMENCLATURE OR DESCRIPTION |
|---|----------------|------------------------------------|-----------------------------|
| PARTS LIST | | | |
| UNLESS OTHERWISE SPECIFIED DIMENSIONS ARE IN INCHES TOLERANCES ARE: | | CONTRACT NO. | |
| FRACTIONS | DECIMALS | ANGLES | APPROVALS |
| ± | .XX ± | ± | DATE |
| | .XXX ± | | |
| MATERIAL | | DRAWN <i>B. Lewis</i> 2-19-79 | |
| FINISH | | CHECKED <i>[Signature]</i> 3-12-79 | |
| NEXT ASSY | | USED ON | |
| APPLICATION | | DO NOT SCALE DRAWING | |
| SIZE | CODE IDENT NO. | DRAWING NO. | REV |
| D | | 99-74 | A |
| SCALE | | | SHEET 2 OF |

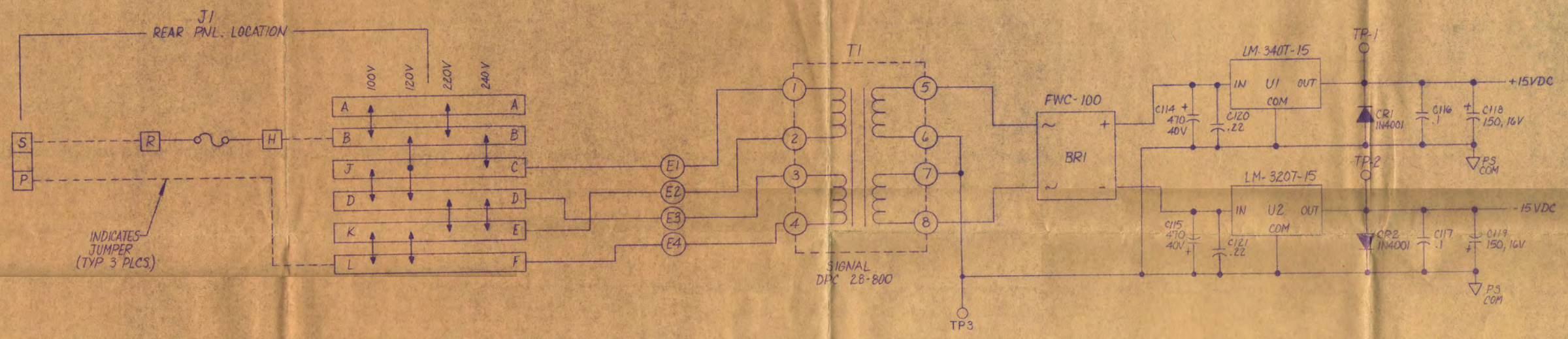
PACIFIC RECORDERS AND ENGINEERING CORP.

SCHMATIC
NEWS MIXER



If You Didn't Get This From My Site,
Then It Was Stolen From...
www.SteamPoweredRadio.Com

| REVISIONS | | | | |
|-----------|-----|-------------|---------|--------------------|
| ZONE | LTR | DESCRIPTION | DATE | APPROVED |
| | A | RELEASED | 2-19-79 | <i>[Signature]</i> |



- 6. FERRITE BEADS ARE 86-002.
 - 5. OP AMPS ARE SE5534T.
 - 4. INDICATES FRONT PNL LOCATION
 - 3. INDICATES REAR PNL LOCATION
 - 2. CAPACITORS ARE MEASURED IN MICROFARADS.
 - 1. RESISTORS ARE MEASURED IN OHMS, 1/4W, 5%.
- NOTES UNLESS OTHERWISE SPECIFIED -

| QTY REQD | CODE IDENT | PART OR IDENTIFYING NO. | NOMENCLATURE OR DESCRIPTION |
|---|------------|------------------------------------|-----------------------------|
| PARTS LIST | | | |
| UNLESS OTHERWISE SPECIFIED DIMENSIONS ARE IN INCHES TOLERANCES ARE: | | CONTRACT NO. | |
| FRACTIONS | DECIMALS | ANGLES | |
| ± | .XX ± | ± | |
| | .XXX ± | | |
| MATERIAL | | APPROVALS | |
| FINISH | | DATE | |
| NEXT ASSY | | DRAWN <i>[Signature]</i> 2-19-79 | |
| USED ON | | CHECKED <i>[Signature]</i> 2-22-79 | |
| APPLICATION | | DO NOT SCALE DRAWING | |
| SCALE | | SHEET 1 OF 1 | |

PACIFIC RECORDERS AND ENGINEERING CORP.

SCHMATIC - NEWS MIXER

SIZE D CODE IDENT NO. DRAWING NO. 99-74 REV. A

