

TEWLETT PACIFIC CORPORATION

AC-4A/B

DECADE COUNTER



OPERATING AND SERVICING MANUAL



If You Didn't Get This From My Site,
Then It Was Stolen From...
www.SteamPoweredRadio.Com

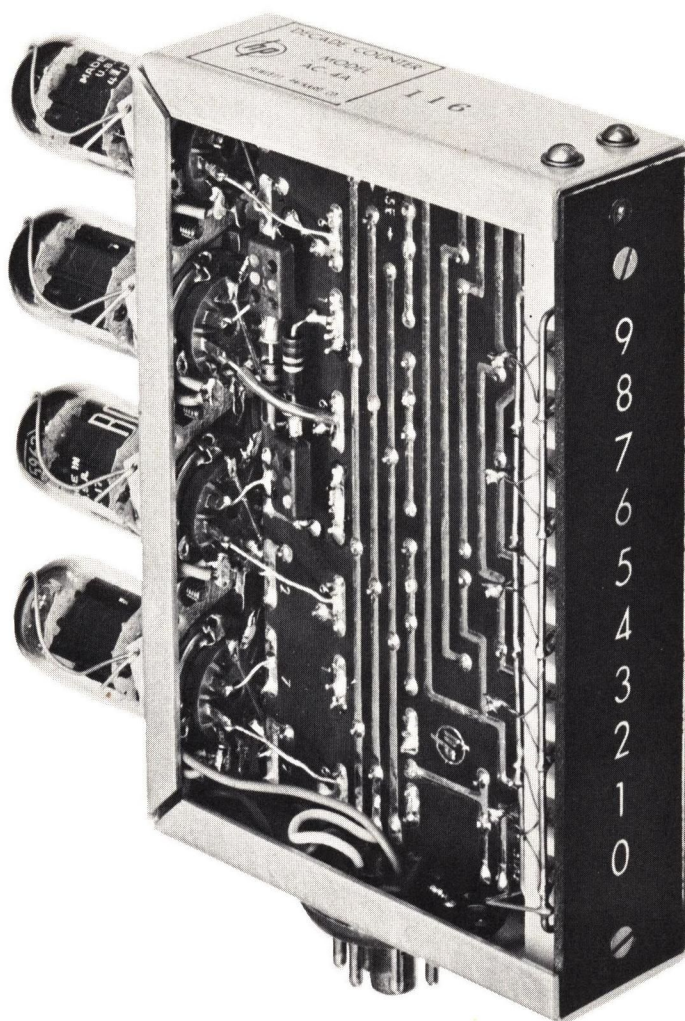
PRINTED 2-60

OPERATING AND SERVICING MANUAL

FOR

MODEL AC-4A AND
AC-4B

DECADE COUNTERS



Copyright HEWLETT-PACKARD COMPANY 1955
275 PAGE MILL ROAD, PALO ALTO, CALIFORNIA, U. S. A.

NOTE

This manual was written for the AC-4A Decade Counter but also applies to the AC-4B Decade Counter. The appearance and circuit operation of the AC-4A and the AC-4B are identical; the differences in the AC-4B are as follows:

- 1) Upper frequency limit of 220 kc
- 2) Higher current requirement of 18 milliamperes
- 3) Lower input pulse requirement of approximately 60 volts peak
- 4) Different component values (covered in separate parts list and schematic diagram for the AC-4B)

Except for the input voltage requirements (see specifications) the AC-4B is directly interchangeable with the AC-4A. The AC-4B can be used in most cases for emergency replacement for the AC-4A or to increase the maximum counting rate of ϕ counters utilizing an AC-4A in the units position. However, it is not recommended for normal replacement of the AC-4A.

SPECIFICATIONS

	<u>AC-4A</u>	<u>AC-4B</u>
Counting Rate:	120 kc	220 kc
Double-Pulse Resolution:	7 μ sec	4 μ sec
Input Voltage:	-80 volt pulse, 1 μ sec rise time.	-55 volt pulse, 1.5 μ sec rise time.
Output Voltage:	-80 volt pulse, nominal. Drives other AC-4A decades.	-80 volt pulse, nominal. Drives AC-4A.
Reset:	To Zero - Open base pin connection or apply +90 volt, 5 μ sec pulse, rc decay.	To Zero - Open base pin connection or apply +90 volt, 5 μ sec pulse, rc decay.
Staircase Output Voltage:	+135 volts at count of zero, +55 volts at count of nine from approxi- mately 700K.	+135 volts at count of zero, +55 volts at count of nine from approxi- mately 700K.
Power Required:	6.3 vac \pm 10% at 1.2 amp; +300 volts \pm 10% at 15 ma.	6.3 vac \pm 10% at 1.2 amp; +300 volts \pm 10% at 18 ma.
Dimensions:	5-5/8 in. high above flush mounted plug. 6-1/8 in. high including plug. 1-3/8 in wide, 5-3/4 in. deep.	5-5/8 in. high above flush mounted plug. 6-1/8 in. high including plug. 1-3/8 in. wide, 5-3/4 in. deep.
Mounting:	Octal plug.	Octal plug.
Weight:	Net 1 lb; shipping 2 lbs.	Net 1 lb; shipping 2 lbs.

CONTENTS

SECTION	DESCRIPTION	Page
SECTION I	GENERAL DESCRIPTION	
1 - 1	Description	I - 1
SECTION II	INSTALLATION AND OPERATION	
2 - 1	Socket Connections	II - 1
SECTION III	THEORY OF OPERATION	
3 - 1	General	III - 1
3 - 2	The Bi-Stable Multivibrator, or Binary	III - 1
3 - 3	Operation of Four Cascaded Binaries	III - 2
SECTION IV	MAINTENANCE	
4 - 1	General	IV - 1
4 - 2	Checking an Individual Counter Unit at Low-Speed	IV - 1
4 - 3	Checking an Individual Counter Unit at High-Speed	IV - 2
SECTION V	TABLE OF REPLACEABLE PARTS	
5 - 1	Table of Replaceable Parts	V - 1

SECTION I

GENERAL DESCRIPTION

1-1 DESCRIPTION

The Model AC-4A Decade Counter is a general purpose, plug-in electronic counter that counts electrical pulses applied to its input terminal and indicates the number of the last pulse received in a column of numerals from "0" to "9" on the front panel.

The AC-4A produces one output pulse each time the registered counts steps from "9" to "0", i.e., produces one output pulse for every ten input pulses. Consequently, any desired count storage capacity can be obtained by connecting the units in series and by placing them side by side so that the first units provide the "units" digit, the second unit provides the "tens" digit, and so on. The final answer is then read directly as a number across the row of counter units.

The count is indicated on the panel of the AC-4A by illuminating the correct numeral in the number column with a neon lamp. Engraved numerals and special reflecting surfaces behind the neon lamps insure good readability.

A second output signal, the "Staircase" output, is provided for operating certain types of external indicating devices. This output signal consists of nine equal steps of voltage, one step for each count indicated in the number column.

The AC-4A utilizes etched circuits which provide good production uniformity and very low capacity wiring and result in a very stable, fast counting unit. The open-frame construction lowers operating temperatures and simplifies parts inspection and servicing.

The AC-4A requires 300 volts dc at approximately 15 milliamperes and 6.3 volts ac at 1.2 amperes for operation, neither voltage requiring regulation. The unit plugs into a standard octal socket and is secured by a single mounting screw at the top of the number column.

The AC-4A is directly replaceable with any other plug-in counter unit used in Hewlett-Packard Electronic Counter instruments, and in addition, it is also directly interchangeable with many similar decade counter units of other manufacturers.

SECTION II INSTALLATION AND OPERATION

2-1 SOCKET CONNECTIONS

The pins on the octal plug for the AC-4A are listed below with their functions:

PIN 1 -

Pins 1 and 7 receive filament power, 6.3 volts, $\pm 10\%$ 1.2 amperes and should not contain transient pulses of sufficient amplitude to cause erratic counting. Either side of the filament circuit may be grounded externally.

PIN 2 -

Pin 2 provides for resetting the AC-4A to "0" when a new count is to be started. For the AC-4A to count, this pin must be connected to ground through a resistance not more than 750 ohms. To reset the AC-4A to "0" this circuit may be momentarily opened, or a positive pulse of 150 volts peak may be applied to pin 2. (See note 1.)

Diagrams of typical reset circuits are available from the Hewlett-Packard Company upon request.

PIN 3 -

Pin 3 provides the output signal (input signal $\div 10$) from the AC-4A. The output connection is direct-coupled and has from 50 to 140 volt dc potential on it. The output signal is a negative-going wave from the 140-volt level to the 50-volt level which occurs when the unit passes the count of "9". The load placed on pin 3 should not be less than 300,000 ohms, or 6000 ohms in series with 100 μf . (See OUTPUT WAVEFORM in Section IV.)

PIN 4 -

Pin 4 receives the dc operating power, 300-volt dc $\pm 10\%$ at approximately 15 milliamperes. This

voltage does not have to be regulated, but it must not contain transient pulses or ripple of sufficient amplitude to produce random counts.

PIN 5 -

Pin 5 receives the input signal to be counted. The AC-4A counts negative-going wave fronts having approximately 80 volts peak amplitude and 1 microsecond rise time. Faster rise times decrease the amplitude required. (See note 2.)

PIN 6 -

Pin 6 is the Ground and B- connection and is connected to chassis or ground bus.

PIN 7 -

Filament circuit, see Pin 1.

PIN 8 -

Pin 8 provides the "Staircase" output voltage. The staircase voltage is proportional to the digit displayed and may be used to operate a remote indicating device. The open circuit voltage varies from +138 volts for a displayed count of "0" to +54 volts for a displayed count "9" in approximately equal steps. (See STAIRCASE OUTPUT waveform in Section IV.)

The staircase output circuit has an internal impedance of approximately 700,000 ohms and the output voltage depends upon the external load connected to this circuit. The load connected to this circuit does not affect the normal counting of the unit.

CAUTION


Suitable precautions must be taken to prevent coupling transient voltages through any of the external connections to the AC-4A, or erratic counting may result.

NOTE 1

The displayed count on the AC-4A may be reset to "0" manually with a switch or electronically by pulse. A pulse used for reset must have a fast rise and slow decay; pulse width is unimportant.

The rise time must be approximately one μsec 150 volts as applied to 750 ohms maximum between pin 2 and ground. The unit can be reset to "9" with a negative reset pulse.

NOTE 2

The  Amplitude Discriminator Unit, Model 522B-58B generates a suitable driving pulse for the AC-4A, and has a maximum sensitivity of 0.2 volt on any waveform. Complete details of this plug-in unit are available from the Hewlett-Packard Company.

SECTION III THEORY OF OPERATION

3-1 GENERAL

The AC-4A Decade Counter plug-in unit consists of four bi-stable multivibrators (binaries) and a bank of 10 neon lighted numerals on the front panel. As the binaries sense the input pulses, certain combinations of voltages are set up between halves of the binaries which light the appropriate neon lamp for each pulse.

The state of the first binary determines whether an odd or even numbered lamp will be lighted by applying one necessary voltage to the even lamps, or to the odd lamps. The other voltage is obtained as the difference-voltage existing across two specific halves of two different binaries. As subsequent input pulses are received the difference-voltage lighting the lamps proceeds from one pair of binaries to the next, lighting subsequent lamps.

The four binaries are connected in cascade so the output from the first is fed to the input of the second, and so on. Each binary is designed to respond only to negative-going input pulses. Each binary produces alternately positive and negative output pulses for a series of negative input pulses. Since the next binary senses only the negative pulses, the effect is to divide by two.

With four such binaries 16 input pulses would be required to obtain one negative output pulse (overall division would be 16). However, by the use of two feedback loops 6 extra "counts" are added within the unit so that only 10 input pulses are required to obtain one negative output pulse to make the total division 10. The feedback circuits used in counters are not to be confused with feedback circuits used in amplifier design. Counter feedback circuits are used only to apply a pulse from one of the binaries in a chain to another in the same chain. If the feedback pulse is of the correct polarity, it will trigger the binary, producing the same result as additional pulses at the input. The action of an individual binary is described below followed by a discussion of the operation of four such binaries connected in series.

3-2 THE BI-STABLE MULTIVIBRATOR OR BINARY

The circuit of a typical bi-stable multivibrator is shown in Figure 3-1. This circuit has two stable states; one, with "A" side conducting, two, with "B" side conducting. All input pulses are applied equally to both the "A" and "B" sides, however, only negative going pulses can start the switching action.

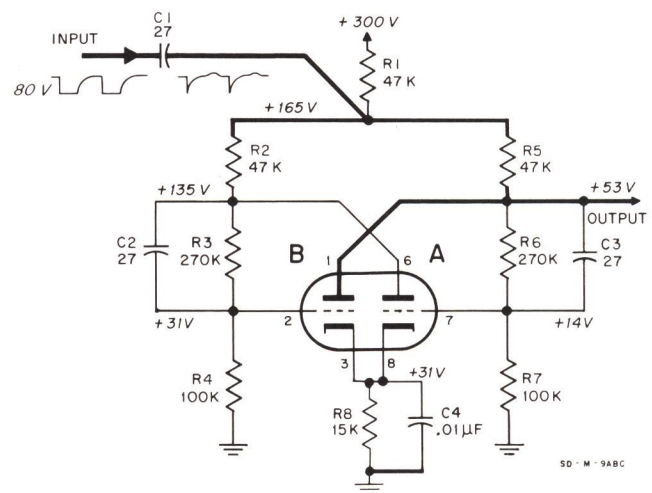


Figure 3-1. Circuit of binary used in AC-4A Counter Unit

Prior to receiving an input pulse a binary rests in one of its two stable states; one side is conducting, one side is not. The high positive voltage at the plate of the non-conducting tube maintains a high charge on the coupling capacitor to the grid of the conducting tube, while the low plate voltage on the conducting tube maintains only a small charge on the capacitor to the grid of the non-conducting tube.

An input signal which consists of a negative 80 volt pulse is applied to a point in the plate load resistors at R1 which is common to the plate loads of both sides of the binary. This pulse is large enough to cut off conduction in both tubes. With both halves of the stage non-conducting, the only information remaining as to the former conducting stage is the voltage across capacitors C2 and C3. C2 carries the greater charge and voltage because of the higher original voltage at the upper end and the potential difference due to grid current at the lower end. Upon termination of the negative driving pulse, both grids approach a more positive value. Grid A (pin 7) will rise above cut-off first because of the smaller charge on C3. Thus side A will start conduction. The positive feed-back to the B section will drive its grid to cut-off. The next negative pulse will reverse the process. A positive pulse following a negative pulse will not trigger the binary because the tube is biased to favor negative pulses.

An output pulse is obtained from one plate circuit and coupled to the next binary. The output pulse is positive when the output half of the binary is switched out of conduction, and negative when it is switched into conduction. The amplitude of the output pulses from the 2nd, 3rd and 4th binaries in the AC-4A are equal, and should be approximately 82 volts (from +53 to +135), while the output from the 1st binary is approximately 110 volts, (from +62 to +172).

3-3 OPERATION OF FOUR CASCADED BINARIES

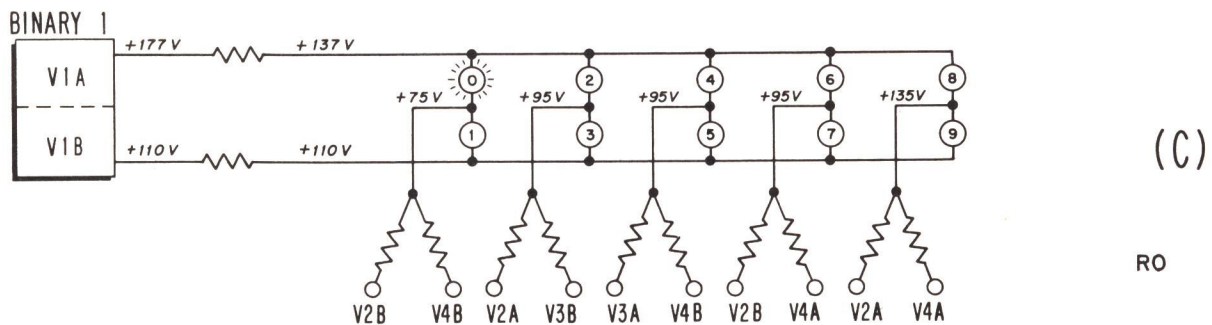
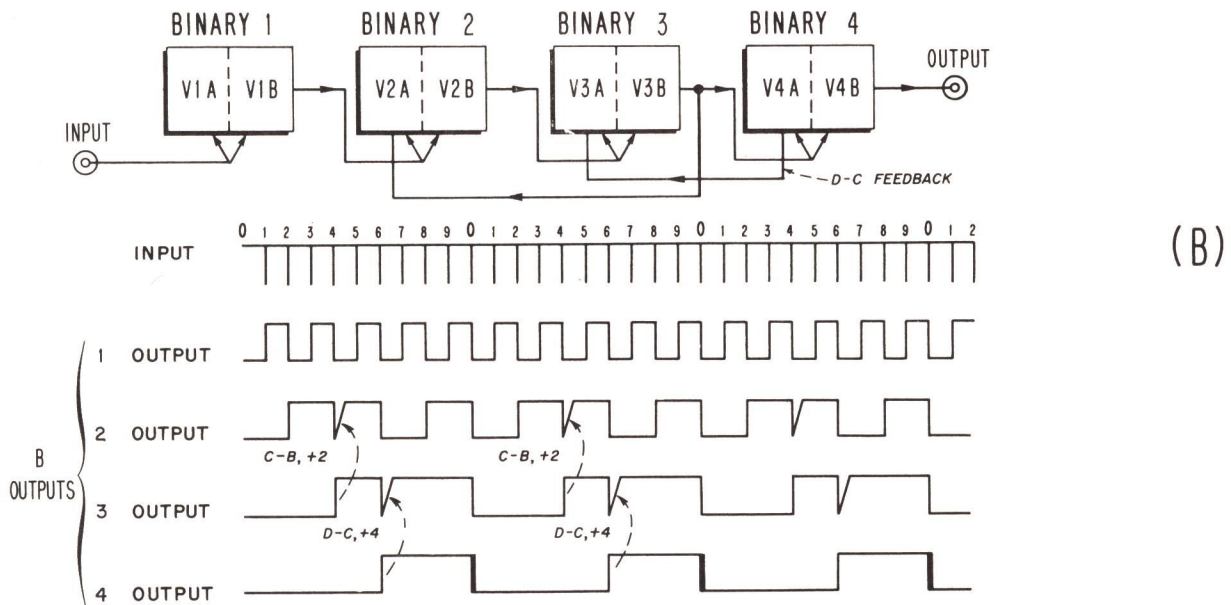
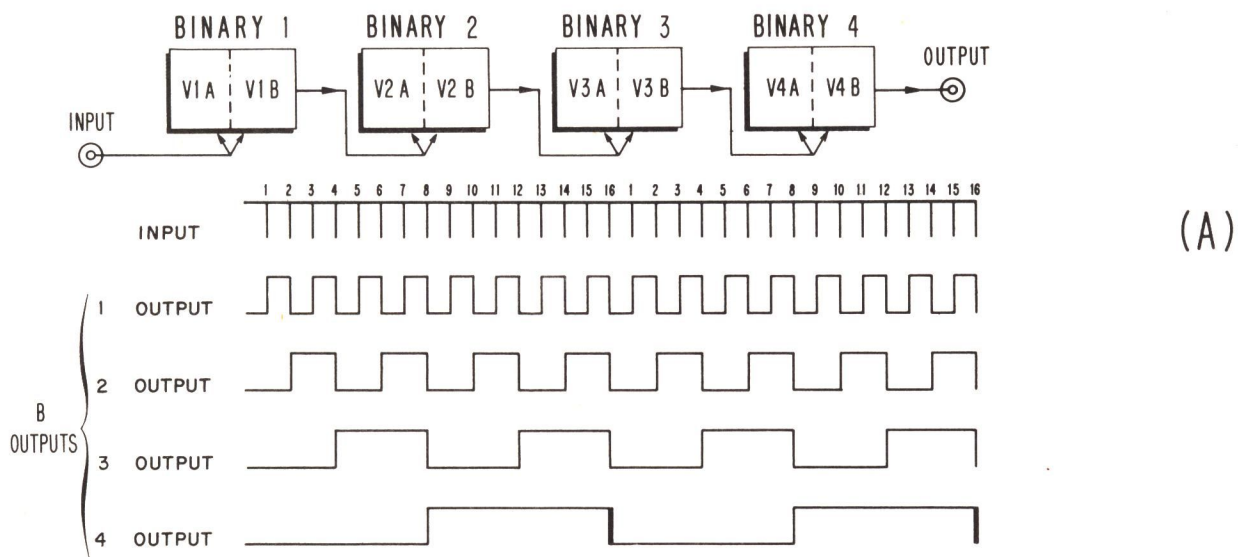
The operation of four binaries connected in cascade and the operation of the neon lighting circuits is described in the following paragraphs with the aid of the diagram in Figure 3-2. In these diagrams, the waveforms are the dc potential at the output of each binary. The actuating pulse that is applied to the next binary consists of the rise and decay portions of the waveform shown due to being differentiated by the coupling capacitor.

Diagram A shows the waveforms obtained from a system of four binaries with no feedback. The top row represents the pulses applied to the input, and each subsequent row is the output of a succeeding binary. Waveforms are oriented in relation to the frequency applied to the input. Reading from left to right, each down-going line is a negative pulse

which causes the next binary to switch its state. Each up-going line in the waveform is a positive pulse and is without effect. As shown, one positive output pulse is obtained after 8 input pulses and one negative output pulse after 16 input pulses. Such a system would require a column of 16 numbers for the readout, a complex system to read if more than one counter is used.

A more useful indicating system, "0" through "9", can be obtained when the division ratio of the set of four binaries is made to be 10 instead of 16. The readout can then be a direct reading decimal number when more than one counter unit is used, one beside the other. To make the system produce one output pulse for every ten input pulses (instead of 16) the extra six pulses are effectively supplied internally by feeding the required pulses from one binary to another. Diagram B shows such a system in operation. Two feedback paths are used, the first one retriggers the second binary and positions it two input pulses farther along. The second feedback path retriggers the third binary and positions it four input pulses farther along, thus the effect of six additional input pulses is duplicated within the unit to make the unit divide by ten.

Diagram C shows how the readout of 10 neon lighted numbers are made to light in their proper sequence. As input pulses enter, they cause the first binary to continually switch from one state to the other. One half of the binary is connected to one side of all the even numbered lamps. The other half is connected to one side of all the odd numbered lamps. As the binary switches back and forth it alternately supplies one needed voltage to light the odd, then the even numbered lamps. The difference voltage that determines which odd or even lamp is lighted is obtained from combinations of the various halves of the remaining three binaries, and consists of a resultant voltage when two different binary halves are combined. Three resultant voltages are possible: when both halves are conducting, when both halves are non-conducting and when one is conducting and one is not. Only when both halves are conducting and the voltage is at its lowest is the voltage difference between this combination and that established by the input binary sufficient to light a neon. This voltage of approximately 75 volts gradually moves down the bank of neons shown in the diagram as succeeding input pulses switch the binaries and the odd and even lamps are alternately given the necessary voltage.



RO

Figure 3-2. Output Waveforms of Each Binary in a 4-Binary System:
 (a) Without feedback to divide by 16
 (b) With feedback to divide by 10
 (c) The lighted numeral readout system

SECTION IV MAINTENANCE

4-1 GENERAL

A majority of failures in counter units can be remedied by tube replacement. Systematically replace one tube at a time to prevent masking other possible circuit failures. If a tube is replaced without improvement in operation, return the original tube to its socket.

Any AC-4A Counter may be exchanged with any other AC-4A Counter without adjustment or change in operation; therefore to determine if a counter is faulty, replace it with one known to be operating properly. An improvement in operation then indicates the original counter to be defective. When exchanging counters in this manner keep in mind that a defective counter can upset the operation of cascaded counters that follow. If several counters seem to operate improperly service the first one in line (see schematic diagram for sequence of counter units.)

4-2 CHECKING AN INDIVIDUAL COUNTER UNIT AT LOW-SPEED

Some failures can be analyzed by applying single pulses to a counter unit and observing the counting sequence that results. Figure 4-1 shows a circuit which will apply a reliable pulse for low-speed operation of the AC-4A Counter. Ten pulses should light each numeral in the column in its correct sequence to complete one cycle of operation. A failure may be indicated by a number lighting in an incorrect sequence or by some unstable state such as one or more numbers flashing on and off.

If the counting sequence is incorrect, but the Counter still has ten stable indications for ten pulses applied, first check the lamp connections and the printed wiring for short circuits then check for a defective lamp which does not light with the normal applied voltage.

If the counter has 12 or 16 stable states one or both of the two feedback networks is open.

If the counter has less than 10 stable states one of the four tubes can be defective. Replace one tube at a time and check for correct operation.

The following chart shows various incorrect indications obtained when making a low-speed operational check and gives the circuit most likely to be at fault. The counter may also be analyzed by measuring the voltage and waveforms throughout the circuit and comparing the measurement indications against the ideal waveforms and the voltages on the schematic diagrams.

TABLE I

RESETS TO	COUNTING CYCLE	FAULTY CIRCUIT
0	0, 1, 8, 9, then repeats 6, 7, 8, 9	V3
0	0, 2, 4, 6, 8	V1
0	0, 1, 2, 3, 4, 5	V4 or output circuit grounded.
0	0, 1, 2, 3, 6, 7, 8 & 2, 9 & 3	V3
0	0, 1, 2, 3, 4, 5, 4, 5, 6, 7, 8, 9	Feedback between V2 and V3.
0	0, 1, 2, 3, 4, 5, 6, 7, 8 & 2, 9 & 3, 8, 9	Feedback between V4 and V3.
0	0, 1, 2, 3, 4, 5, 4, 5, 6, 7, 8 & 2, 9 & 3, 6, 7, 8, 9	Both feedback loops.
1	Will not count	V1
2	2, 3,	V4 or V2
4	4, 5	V2 or V3
6	6, 7, 8 & 2, 9 & 3, 8, 9	V4

4-3 CHECKING AN INDIVIDUAL COUNTER UNIT AT HIGH-SPEED

Some kinds of circuit failures can cause counter units to count incorrectly or fail at high counting rates, particularly approaching 120,000 cps. This type of trouble can sometimes be corrected by the same remedies as for low-speed failures, however, if a failure persists at high counting rates only, the trouble should be analyzed by observing waveforms throughout the circuit, using a high-speed synchroscope. Begin by measuring the output of the first binary and proceed with each succeeding binary. Adjust the input signal frequency just below and above the frequency where the counting failure occurs and observe the difference in the waveforms at the output of each binary. Compare the oscilloscope patterns with the ideal waveforms shown in Figure 3-2. The waveform picture which changes as the counting failure appears usually indicates the proceeding circuit in the printed wiring, changing values in resistors, leakage in capacitors, weak tubes, etc. Any part can be replaced with another part having the same value, tolerance and physical size without circuit adjustment or change in unit operation.

WAVEFORM DATA

Waveform oscillograms taken at the plate of each tube in the AC-4A are shown in the following illustration. The left-hand column shows typical waveforms obtained when the AC-4A is counting low frequencies; the right-hand column when counting frequencies near the upper frequency limit of the AC-4A. At counting rates above 100 kilocycles the

waveforms deteriorate in the manner indicated by the difference between the two columns to a point where counting a higher frequency is not possible.

Some circuit failures can cause the waveform deterioration illustrated at frequencies below 100 kc. Such a trouble can be isolated by comparing waveforms obtained from an unsatisfactory counter unit with the waveforms in the illustration. If a binary produces a waveform with excessive deterioration check the tube by replacement with a new tube; check circuit resistances; check the capacity, "Q" and leakage of capacitors (especially the capacitors associated with the feedback loops) and check for leakage between conductors on the printed circuit board.

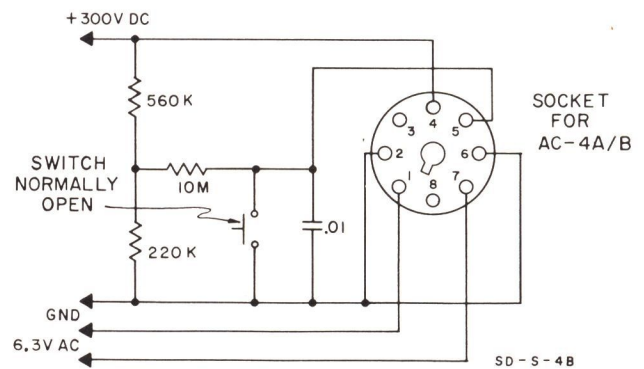


Figure 4-1. Manual Trigger Circuit for low-speed testing of the AC-4A

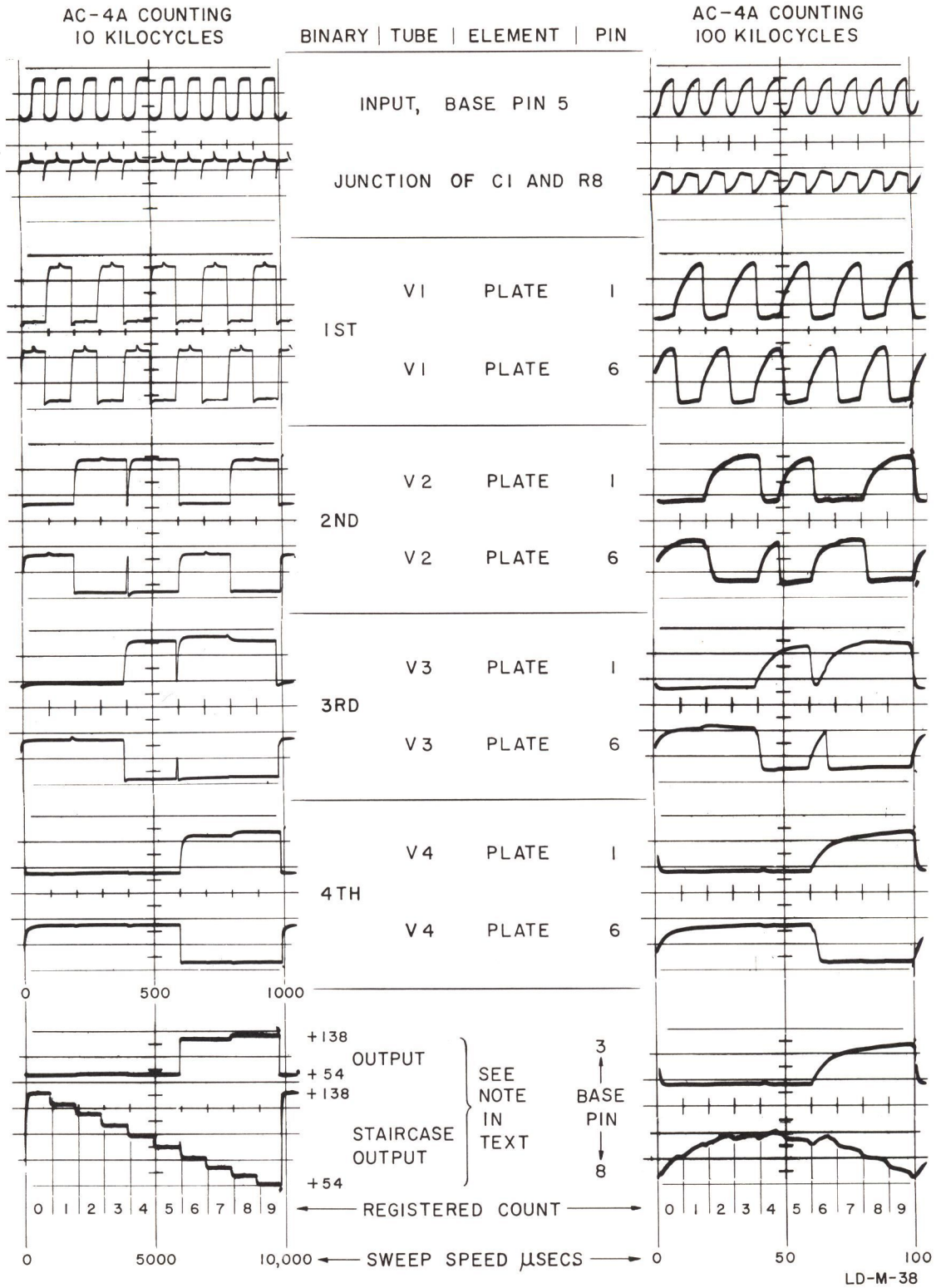


Figure 4-2. Oscillograms obtained from an AC-4A Decade Counter
 (A) counting a low frequency
 (B) counting a high frequency

Amplitude Calibration 50 volts/cm unless otherwise noted.
 Oscilloscope synchronized with negative portion of the output from the AC-4A

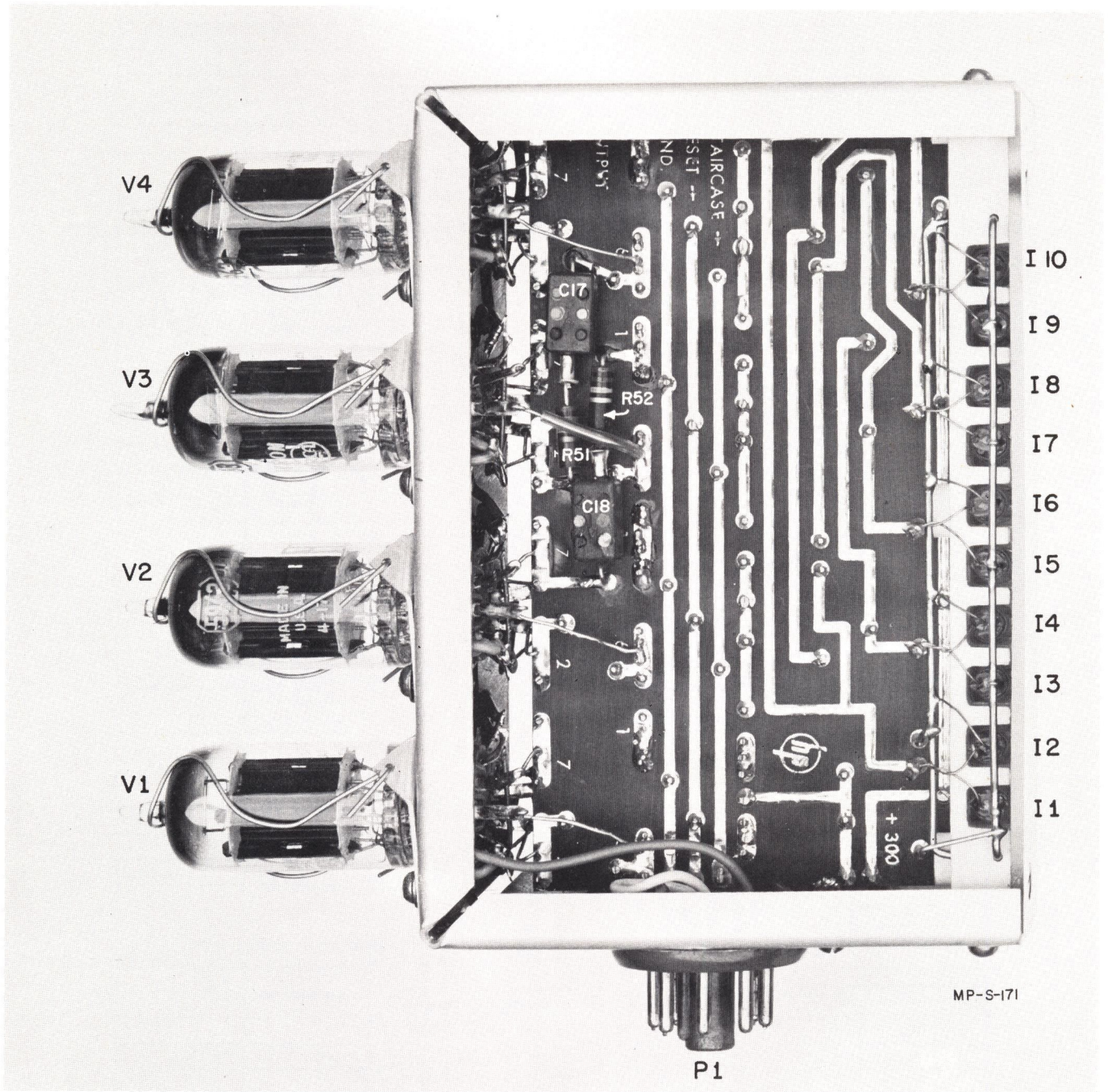


Figure 4-3. Left Side of the Model AC-4A

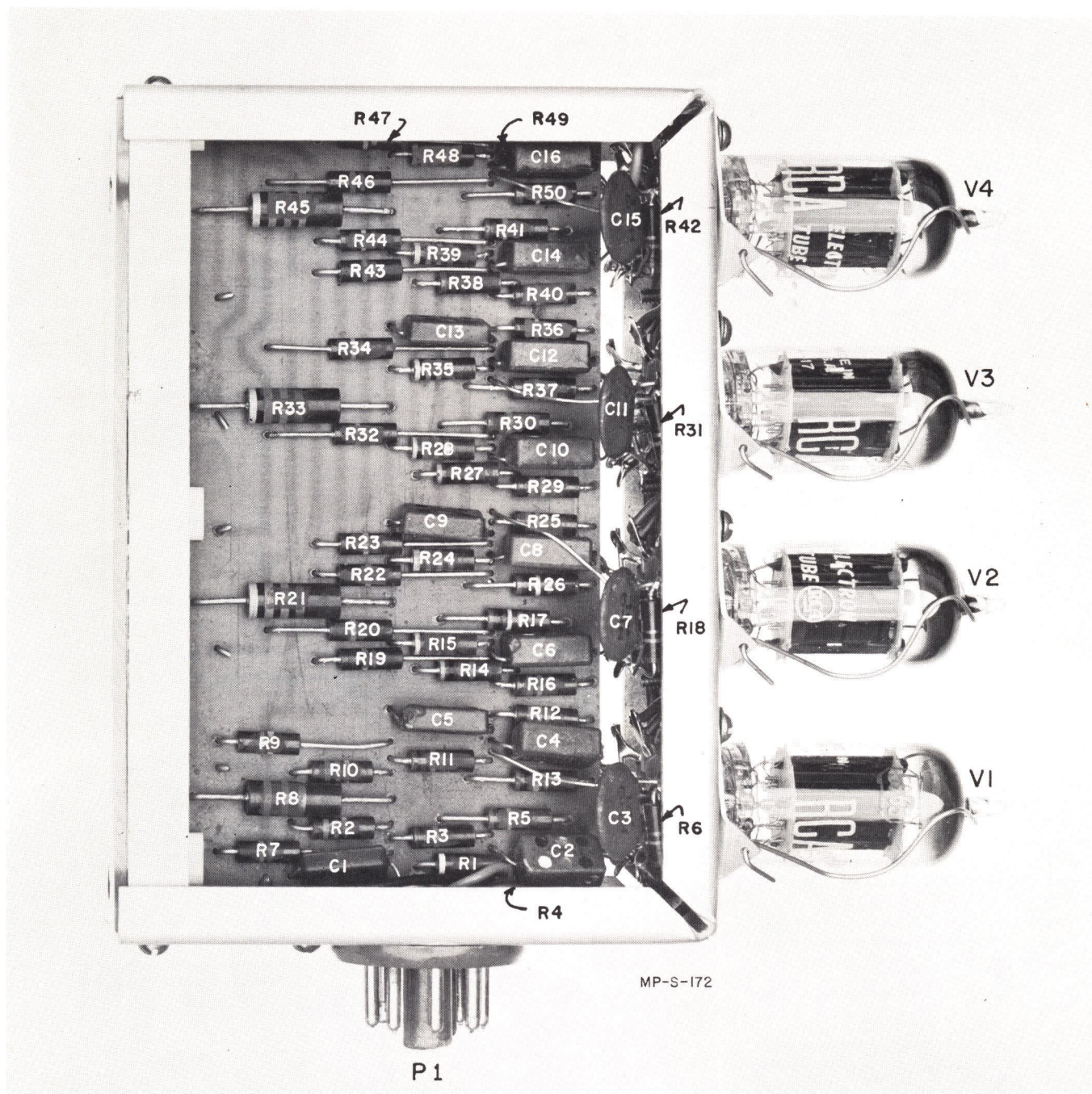


Figure 4-4. Right Side of the Model AC-4A

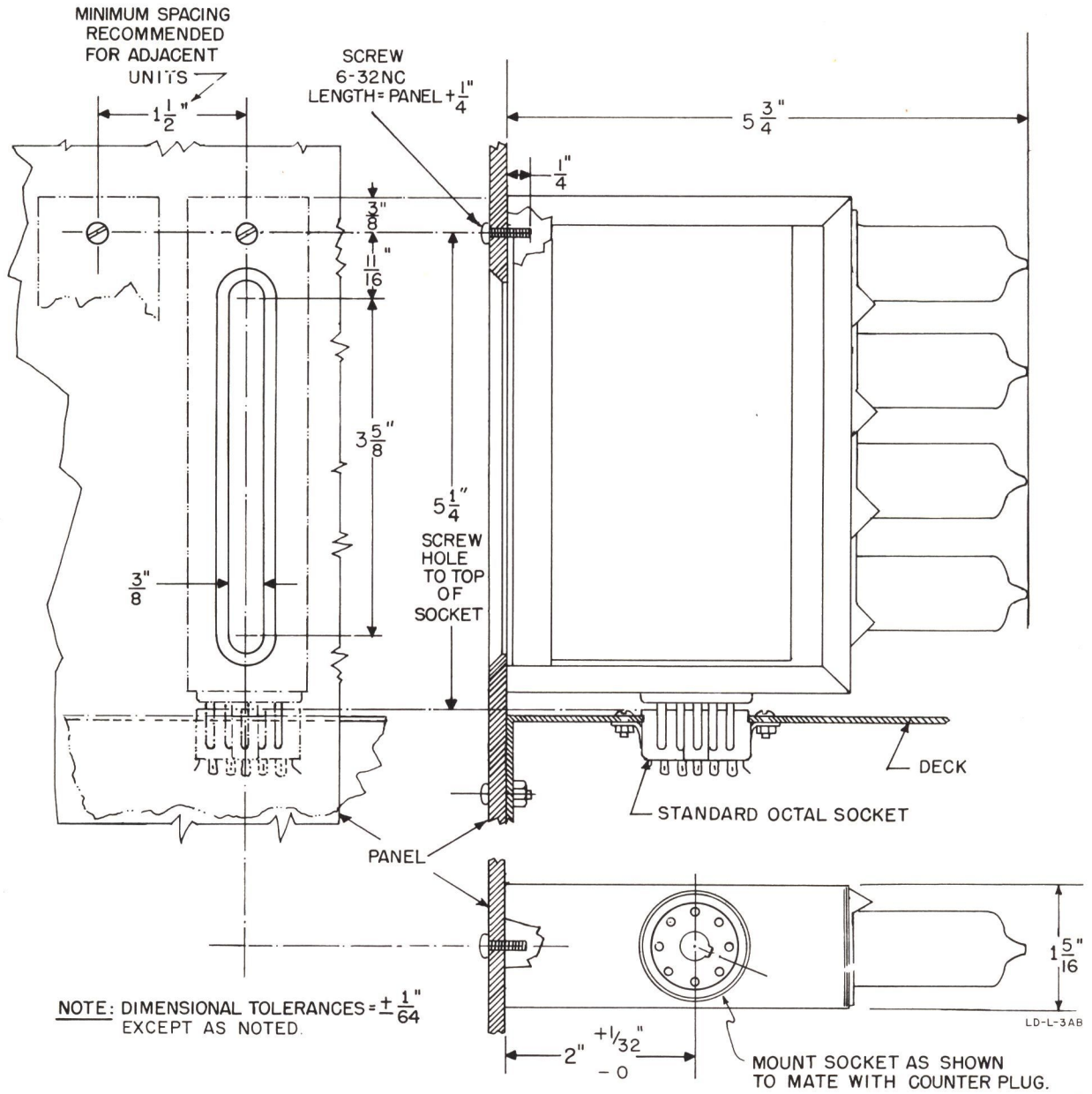


Figure 4-5. Model AC-4A Mounting Dimensions

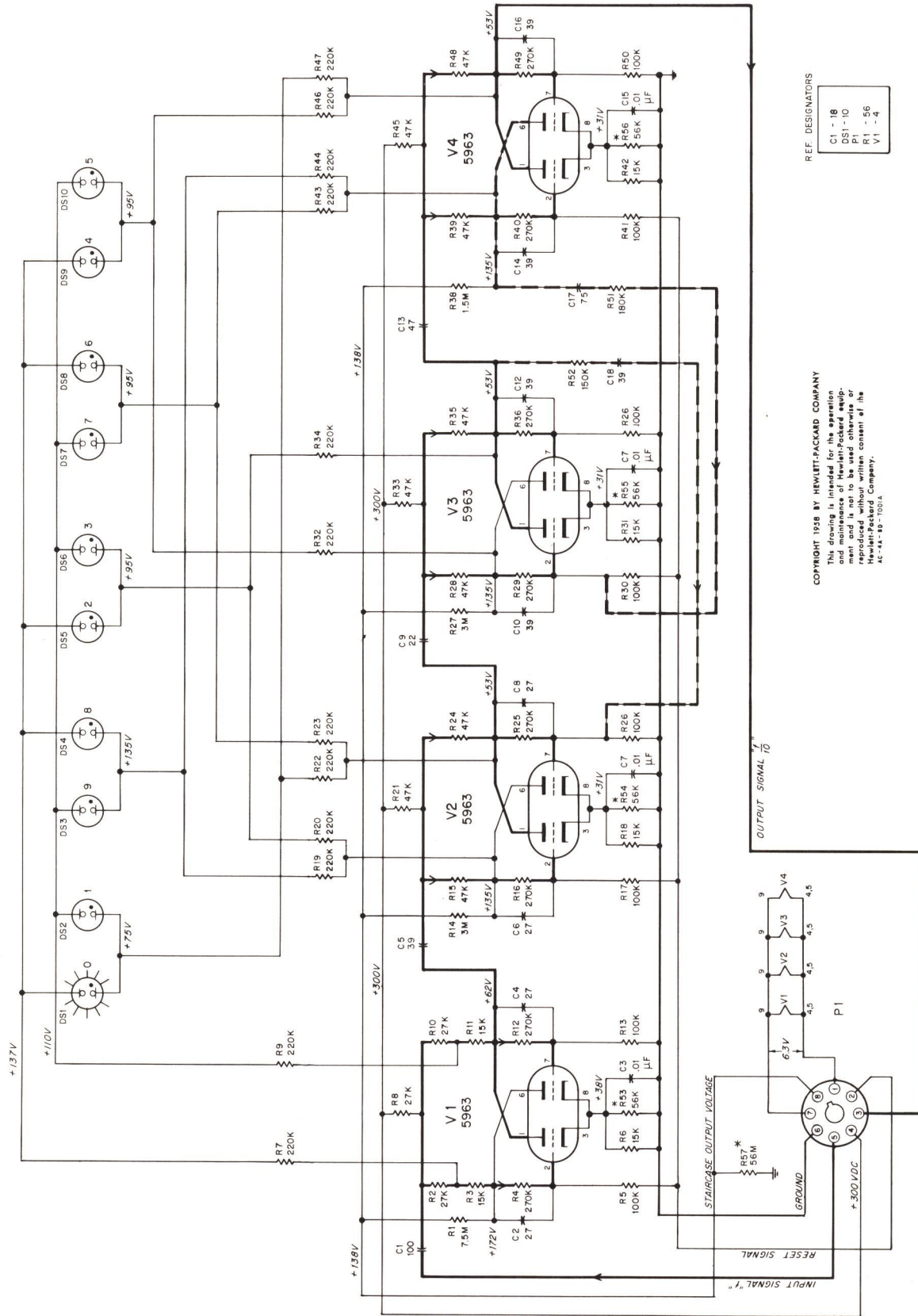
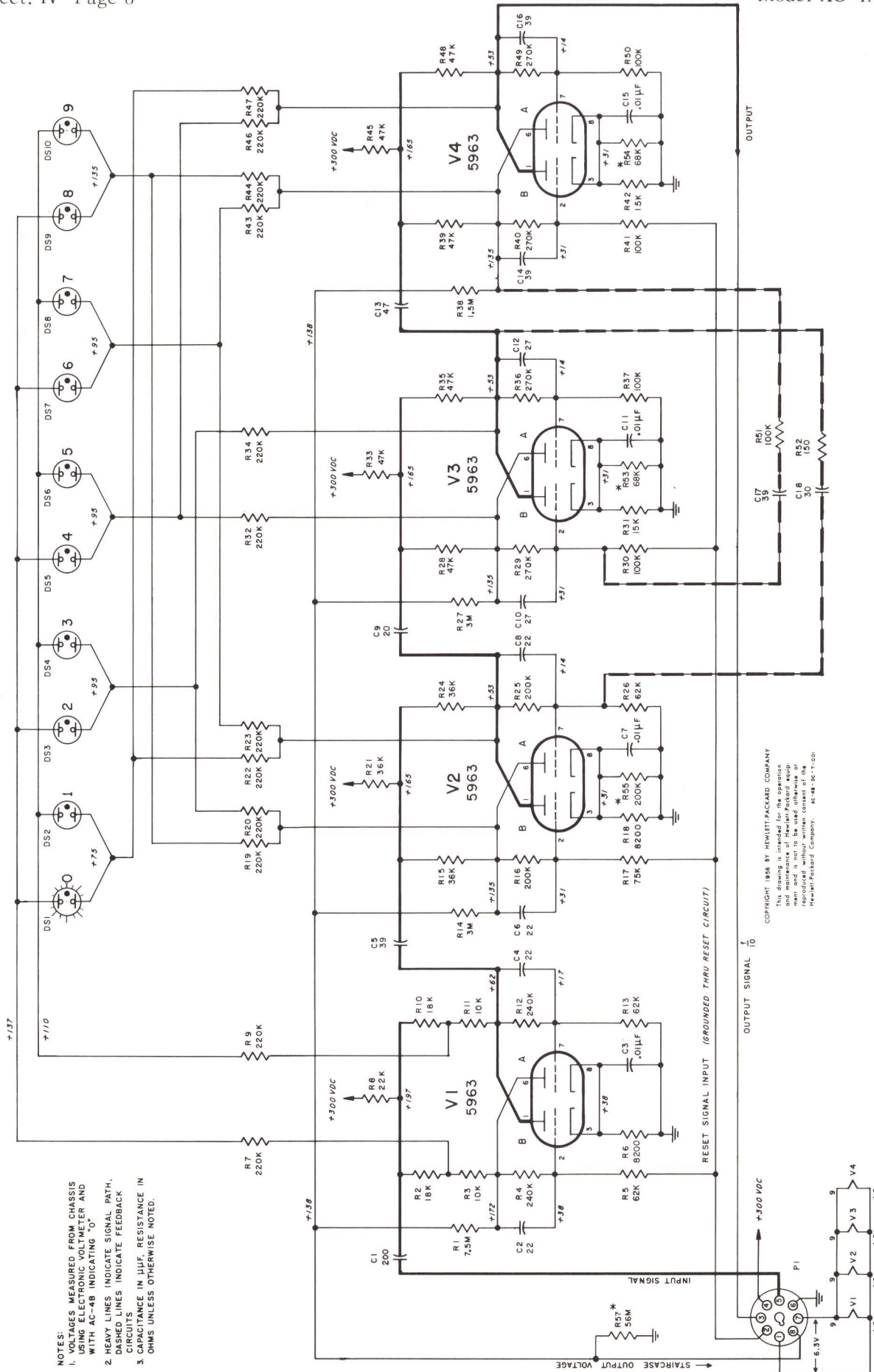


Figure 4-6. Model AC-4A Decade Counter



NOTES:
 1. VOLTAGES MEASURED FROM CHASSIS USING ELECTRONIC VOLTMETER AND WITH AC-4B INDICATING "0"
 2. HEAVY LINES INDICATE SIGNAL PATH, DASHED LINES INDICATE FEEDBACK CIRCUITS
 3. CAPACITANCE IN μ UF, RESISTANCE IN OHMS UNLESS OTHERWISE NOTED.

COPYRIGHT 1946 BY HEWLETT-PACKARD COMPANY
 This drawing is intended for the operation and maintenance of Hewlett-Packard equipment and is not to be used otherwise or reproduced in any form without the permission of Hewlett-Packard Company. AC-4B-NC-1-00

Figure 4-7. Model AC-4B Decade Counter

If You Didn't Get This From My Site,
 Then It Was Stolen From...
www.SteamPoweredRadio.Com


SECTION V

TABLE OF REPLACEABLE PARTS

NOTE

Standard components have been used in this instrument, whenever possible. Special components may be obtained from your local Hewlett-Packard representative or from the factory.

When ordering parts always include:

1.  Stock Number.
2. Complete description of part including circuit reference.
3. Model number and serial number of instrument.
4. If part is not listed, give complete description, function and location of part.

Corrections to the Table of Replaceable Parts are listed on an Instruction Manual Change sheet at the front of this manual.

RECOMMENDED SPARE PARTS LIST

Column RS in the Table lists the recommended spare parts quantities to maintain one instrument for one year of isolated service. Order complete spare parts kits from the Factory Parts Sales Department. ALWAYS MENTION THE MODEL AND SERIAL NUMBERS OF INSTRUMENTS INVOLVED.

TABLE OF REPLACEABLE PARTS

CIRCUIT REF.	DESCRIPTION, MFR. * & MFR. DESIGNATION	Ⓢ STOCK NO.	TQ	RS		
C1	Capacitor: fixed, mica, 100 μf $\pm 5\%$, 300 vdcw V*	14-76	1	1		
C2	Capacitor: fixed, mica 27 μf $\pm 5\%$, 300 vdcw Z*	14-78	4	1		
C3	Capacitor: fixed, ceramic, .01 μf , tol. -0%, +100%, 1000 vdcw CC*	15-43	4	1		
C4, 5, 6	Same as C2					
C5	Capacitor: fixed, mica 39 μf , 300 vdcw V*	14-70	6	2		
C6	Same as C2					
C7	Same as C3					
C8	Same as C2					
C9	Capacitor: fixed, mica, 22 μf , $\pm 5\%$, 300 vdcw V*	14-69	1	1		
C10	Same as C5					
C11	Same as C3					
C12	Same as C5					
C13	Capacitor: fixed, mica, 47 μf $\pm 5\%$, 300 vdcw V*	14-74	1	1		
C14	Same as C5					
C15	Same as C3					
C16	Same as C5					
C17	Capacitor: fixed, mica, 75 μf $\pm 5\%$, 300 vdcw V*	14-75	1	1		
C18	Same as C5					
DS1 thru DS10	Lamp, glow: 1/25 W, starting voltage 90 VDC (paired, aged) HP*	AC-4A-8	5	5		
P1	Connector, male: octal HH*	125-31	1	1		
R1	Resistor: fixed, composition, 7.5 megohms, $\pm 5\%$, 1/2 W B*	23- 7.5M-5	1	1		
R2	Resistor: fixed, composition, 27,000 ohms $\pm 5\%$, 1/2 W R*	23- 27KR-5	2	1		

* See "List of Manufacturers Code Letters For Replaceable Parts Table".

TQ-Total quantity used in the instrument.

RS-Recommended spares for one year isolated service for one instrument.

TABLE OF REPLACEABLE PARTS

CIRCUIT REF.	DESCRIPTION, MFR. * & MFR. DESIGNATION	Ⓢ STOCK NO.	TQ	RS		
R3	Resistor: fixed, composition, 15,000 ohms ±5%, 1/2 W R*	23- 15KR-5	2	1		
R4	Resistor: fixed, composition, 270,000 ohms ±5%, 1/2 W B*	23- 270K-5	8	2		
R5	Resistor: fixed, composition, 100,000 ohms ±5%, 1/2 W B*	23- 100K-5	8	2		
R6	Resistor: fixed, composition, 15,000 ohms ±5%, 1/2 W B*	23- 15K-5	4	1		
R7	Resistor: fixed, composition, 220,000 ohms ±5%, 1/2 W B*	23- 220K-5	12	3		
R8	Resistor: fixed, composition, 27,000 ohms ±5%, 1 W B*	24-27K -5	1	1		
R9	Same as R7					
R10	Same as R2					
R11	Same as R3					
R12	Same as R4					
R13	Same as R5					
R14	Resistor: fixed, deposited carbon, 3 megohms ±1%, 1/2 W NN*	33-3M	2	1		
R15	Resistor: fixed, composition, 47,000 ohms ±5%, 1/2 W R*	23- 47KR-5	6	2		
R16	Same as R4					
R17	Same as R5					
R18	Same as R6					
R19, 20	Same as R7					
R21	Resistor: fixed, composition, 47,000 ohms ±5%, 1 W R*	24- 47KR-5	2	1		
R22, 23	Same as R7					
R24	Same as R15					
R25	Same as R4					

* See "List of Manufacturers Code Letters For Replaceable Parts Table".

TQ- Total quantity used in the instrument.

RS - Recommended spares for one year isolated service for one instrument.

MODEL AC-4A

TABLE OF REPLACEABLE PARTS

CIRCUIT REF.	DESCRIPTION, MFR. * & MFR. DESIGNATION	STOCK NO.	TQ	RS		
R26	Same as R5					
R27	Same as R14					
R28	Same as R15					
R29	Same as R4					
R30	Same as R5					
R31	Same as R6					
R32	Same as R7					
R33	Same as R21					
R34	Same as R7					
R35	Same as R15					
R36	Same as R4					
R37	Same as R5					
R38	Resistor: fixed, deposited carbon, 1.5 megohms, ±1%, 1/2 W	BV* 33-1.5M	1	1		
R39	Same as R15					
R40	Same as R4					
R41	Same as R5					
R42	Same as R6					
R43, 44	Same as R7					
R45	Resistor: fixed, composition, 47,000 ohms ±5%, 1 W	B* 24-47K -5	1	1		
R46, 47	Same as R7					
R48	Same as R15					
R49	Same as R4					
R50	Same as R5					

* See "List of Manufacturers Code Letters For Replaceable Parts Table".

TQ- Total quantity used in the instrument.

RS - Recommended spares for one year isolated service for one instrument.

TABLE OF REPLACEABLE PARTS

CIRCUIT REF.	DESCRIPTION, MFR. * & MFR. DESIGNATION	Ⓜ STOCK NO.	TQ	RS		
R51	Resistor: fixed, composition, 180,000 ohms ±10%, 1/2 W B*	23-180K	1	1		
R52	Resistor: fixed, composition, 150,000 ohms, ±10%, 1/2 W B*	23-150K	1	1		
R53, 54 55, 56	Resistor: fixed, composition, 56,000 ohms ±10%, 1/2 W Electrical value adjusted at factory B*	23-56K	4	1		
R57	Resistor: fixed, composition, 56 megohms ±10%, 1/2 W Electrical Value Adjusted at Factory B*	23-56M	1	1		
V1, 2, 3, 4	Tube, electron: 5963 ZZ*	212-5964	4	4		
<u>MISCELLANEOUS</u>						
	Clamp, tube: 1" Universal Metal	140-12	4	1		
	Lamp, single: neon, aged and tested HP*	AC-4A-9	1	1		
	Plate, numeral HP*	AC-4A-6	1	1		
	Socket, tube: 9 contact AE*	120-10	4	1		

* See "List of Manufacturers Code Letters For Replaceable Parts Table".

TQ- Total quantity used in the instrument.

RS - Recommended spares for one year isolated service for one instrument.

TABLE OF REPLACEABLE PARTS

CIRCUIT REF.	DESCRIPTION, MFR. * & MFR. DESIGNATION	Ⓢ STOCK NO.	TQ	RS		
C1	Capacitor: fixed, silver mica, 200 μf $\pm 5\%$, 500 vdcw Z*	15-103	1	1		
C2	Capacitor: fixed, mica, 22 μf $\pm 5\%$, 500 vdcw V*	14-69	4	1		
C3	Capacitor: fixed, ceramic, .01 μf , tol. -0%, +100%, 1000 vdcw CC*	15-43	4	1		
C4	Same as C2					
C5	Capacitor: fixed, mica, 39 μf $\pm 5\%$, 300 vdcw V*	14-70	4	1		
C6	Same as C2					
C7	Same as C3					
C8	Same as C2					
C9	Capacitor: fixed, ceramic, 20 μf $\pm 10\%$, 500 vdcw CW*	15-127	1	1		
C10	Capacitor: fixed, mica, 27 μf $\pm 5\%$, 300 vdcw Z*	14-78	2	1		
C11	Same as C3					
C12	Same as C10					
C13	Capacitor: fixed, mica, 47 μf $\pm 5\%$, 300 vdcw V*	14-74	1	1		
C14	Same as C5					
C15	Same as C3					
C16	Same as C5					
C17	Same as C5					
C18	Capacitor: fixed, mica, 30 μf $\pm 5\%$, 300 vdcw Z*	14-83	1	1		
DS1 thru DS10	Lamp, glow: 1/25 W , starting voltage 90 VDC (paired, aged) HP*	AC-4A-8	5	5		

* See "List of Manufacturers Code Letters For Replaceable Parts Table".

TQ- Total quantity used in the instrument.

RS - Recommended spares for one year isolated service for one instrument.

TABLE OF REPLACEABLE PARTS

CIRCUIT REF.	DESCRIPTION, MFR. * & MFR. DESIGNATION	STOCK NO.	TQ	RS		
P1	Connector, male: octal	HH* 125-31	1	1		
R1	Resistor: fixed, composition, 7.5 megohms $\pm 5\%$, 1/2 W	B* 23- 7.5M-5	1	1		
R2	Resistor: fixed, composition, 18,000 ohms $\pm 5\%$, 1 W	R* 24- 18KR-5	2	1		
R3	Resistor: fixed, composition, 10,000 ohms $\pm 5\%$, 1/2 W	R* 23- 10KR-5	2	1		
R4	Resistor: fixed, composition, 240,000 ohms $\pm 5\%$, 1/2 W	B* 23- 240K-5	2	1		
R5	Resistor: fixed, composition, 62,000 ohms $\pm 5\%$, 1/2 W	B* 23- 62K-5	3	1		
R6	Resistor: fixed, composition, 8200 ohms $\pm 5\%$, 1/2 W	B* 23- 8200-5	2	1		
R7	Resistor: fixed, composition, 220,000 ohms $\pm 5\%$, 1/2 W	B* 23- 220K-5	12	3		
R8	Resistor: fixed, composition, 22,000 ohms $\pm 5\%$, 1/2 W	R* 25- 22KR-5	1	1		
R9	Same as R7					
R10	Same as R2					
R11	Same as R3					
R12	Same as R4					
R13	Same as R5					
R14	Resistor: fixed, composition, 3 megohms $\pm 1\%$, 1/2 W	NN* 33-3M	2	1		
R15	Resistor: fixed, composition, 36,000 ohms $\pm 5\%$, 1 W	R* 24- 36KR-5	2	1		
R16	Resistor: fixed, composition, 200,000 ohms $\pm 5\%$, 1/2 W	B* 23- 200K-5	3	1		
R17	Resistor: fixed, composition, 75,000 ohms $\pm 5\%$, 1/2 W	B* 23- 75K-5	1	1		
R18	Same as R6					

* See "List of Manufacturers Code Letters For Replaceable Parts Table".

TQ- Total quantity used in the instrument.

RS- Recommended spares for one year isolated service for one instrument.

TABLE OF REPLACEABLE PARTS

CIRCUIT REF.	DESCRIPTION, MFR. * & MFR. DESIGNATION	^(hp) STOCK NO.	TQ	RS		
R19, 20	Same as R7					
R21	Resistor: fixed, composition, 36,000 ohms $\pm 5\%$, 2 W	B* 23-36K-5	1	1		
R22, 23	Same as R7					
R24	Same as R15					
R25	Same as R16					
R26	Same as R5					
R27	Same as R14					
R28	Resistor: fixed, composition, 47,000 ohms $\pm 5\%$, 1/2 W	R* 23-47KR-5	4	1		
R29	Resistor: fixed, composition, 270,000 ohms $\pm 5\%$, 1/2 W	B* 23-270K-5	4	1		
R30	Resistor: fixed, composition, 100,000 ohms $\pm 5\%$, 1/2 W	B* 23-100K-5	6	2		
R31	Resistor: fixed, composition, 15,000 ohms $\pm 5\%$, 1/2 W	B* 23-15K-5	2	1		
R32	Same as R7					
R33	Resistor: fixed, composition, 47,000 ohms $\pm 5\%$, 1 W	R* 24-47KR-5	1	1		
R34	Same as R7					
R35	Same as R28					
R36	Same as R29					
R37	Same as R30					
R38	Resistor: fixed, deposited carbon, 1.5 megohms $\pm 1\%$, 1/2 W	NN* 33-1.5M	1	1		
R39	Same as R28					
R40	Same as R29					
R41	Same as R30					
R42	Same as R31					

* See "List of Manufacturers Code Letters For Replaceable Parts Table".

TQ- Total quantity used in the instrument.

RS - Recommended spares for one year isolated service for one instrument.

MODEL AC-4B

TABLE OF REPLACEABLE PARTS

CIRCUIT REF.	DESCRIPTION, MFR. * & MFR. DESIGNATION	Ⓜ STOCK NO.	TQ	RS		
R43, 44	Same as R7					
R45	Resistor: fixed, composition, 47,000 ohms ±5%, 1 W B*	24-47K-5	1	1		
R46, 47	Same as R7					
R48	Same as R28					
R49	Same as R29					
R50, 51, 52	Same as R30					
R53, 54	Resistor: fixed, composition, 68,000 ohms ±10%, 1/2 W Electrical value adjusted at factory B*	23-68K	2	1		
R55	Same as R16 Electrical value adjusted at factory					
R56	This circuit reference not assigned					
R57	Resistor: fixed, composition, 56 megohms ±10%, 1/2 W Electrical value adjusted at factory B*	23-56M	1	1		
V1, 2, 3, 4	Tube, electron: 5963 ZZ*	212-5963	4	4		
<u>MISCELLANEOUS</u>						
	Clamp, tube: 1" Universal Metal Prod.	140-12	4	1		
	Plate, numeral HP*	AC-4A-6	1	1		
	Socket, tube: 9 contact AE*	120-10	4	1		

* See "List of Manufacturers Code Letters For Replaceable Parts Table".

TQ- Total quantity used in the instrument.

RS - Recommended spares for one year isolated service for one instrument.

LIST OF CODE LETTERS USED IN TABLE OF REPLACEABLE PARTS TO DESIGNATE THE MANUFACTURERS

CODE LETTER	MANUFACTURER	ADDRESS	CODE LETTER	MANUFACTURER	ADDRESS
A	Aerovox Corp.	New Bedford, Mass.	AK	Hammerlund Mfg. Co., Inc.	New York 1, N. Y.
B	Allen-Bradley Co.	Milwaukee 4, Wis.	AL	Industrial Condenser Corp.	Chicago 18, Ill.
C	Amperite Co.	New York, N. Y.	AM	Insuline Corp. of America	Manchester, N. H.
D	Arrow, Hart & Hegeman	Hartford, Conn.	AN	Jennings Radio Mfg. Corp.	San Jose, Calif.
E	Bussman Manufacturing Co.	St. Louis, Mo.	AO	E. F. Johnson Co.	Waseca, Minn.
F	Carborundum Co.	Niagara Falls, N. Y.	AP	Lenz Electric Mfg. Co.	Chicago 47, Ill.
G	Centralab	Milwaukee 1, Wis.	AQ	Micro-Switch	Freeport, Ill.
H	Cinch-Jones Mfg. Co.	Chicago 24, Ill.	AR	Mechanical Industries Prod. Co.	Akron 8, Ohio
HP	Hewlett-Packard Co.	Palo Alto, Calif.	AS	Model Eng. & Mfg., Inc.	Huntington, Ind.
I	Clarostat Mfg. Co.	Dover, N. H.	AT	The Muter Co.	Chicago 5, Ill.
J	Cornell Dubilier Elec. Co.	South Plainfield, N. J.	AU	Ohmite Mfg. Co.	Skokie, Ill.
K	Hi-Q Division of Aerovox	Olean, N. Y.	AV	Resistance Products Co.	Harrisburg, Pa.
L	Erie Resistor Corp.	Erie 6, Pa.	AW	Radio Condenser Co.	Camden 3, N. J.
M	Fed. Telephone & Radio Corp.	Clifton, N. J.	AX	Shallcross Manufacturing Co.	Collingdale, Pa.
N	General Electric Co.	Schenectady 5, N. Y.	AY	Solar Manufacturing Co.	Los Angeles 58, Calif.
O	General Electric Supply Corp.	San Francisco, Calif.	AZ	Sealectro Corp.	New Rochelle, N. Y.
P	Girard-Hopkins	Oakland, Calif.	BA	Spencer Thermostat	Attleboro, Mass.
Q	Industrial Products Co.	Danbury, Conn.	BC	Stevens Manufacturing Co.	Mansfield, Ohio
R	International Resistance Co.	Philadelphia 8, Pa.	BD	Torrington Manufacturing Co.	Van Nuys, Calif.
S	Lectrohm Inc.	Chicago 20, Ill.	BE	Vector Electronic Co.	Los Angeles 65, Calif.
T	Littlefuse Inc.	Des Plaines, Ill.	BF	Weston Electrical Inst. Corp.	Newark 5, N. J.
U	Maguire Industries Inc.	Greenwich, Conn.	BG	Advance Electric & Relay Co.	Burbank, Calif.
V	Micamold Radio Corp.	Brooklyn 37, N. Y.	BH	E. I. DuPont	San Francisco, Calif.
W	Oak Manufacturing Co.	Chicago 10, Ill.	BI	Electronics Tube Corp.	Philadelphia 18, Pa.
X	P. R. Mallory Co., Inc.	Indianapolis, Ind.	BJ	Aircraft Radio Corp.	Boonton, N. J.
Y	Radio Corp. of America	Harrison, N. J.	BK	Allied Control Co., Inc.	New York 21, N. Y.
Z	Sangamo Electric Co.	Marion, Ill.	BL	Augat Brothers, Inc.	Attleboro, Mass.
AA	Sarkes Tarzian	Bloomington, Ind.	BM	Carter Radio Division	Chicago, Ill.
BB	Signal Indicator Co.	Brooklyn 37, N. Y.	BN	CBS Hytron Radio & Electric	Danvers, Mass.
CC	Sprague Electric Co.	North Adams, Mass.	BO	Chicago Telephone Supply	Elkhart, Ind.
DD	Stackpole Carbon Co.	St. Marys, Pa.	BP	Henry L. Crowley Co., Inc.	West Orange, N. J.
EE	Sylvania Electric Products Co.	Warren, Pa.	BQ	Curtiss-Wright Corp.	Carlstadt, N. J.
FF	Western Electric Co.	New York 5, N. Y.	BR	Allen B. DuMont Labs	Clifton, N. J.
GG	Wilkor Products, Inc.	Cleveland, Ohio	BS	Excel Transformer Co.	Oakland, Calif.
HH	Amphenol	Chicago 50, Ill.	BT	General Radio Co.	Cambridge 39, Mass.
II	Dial Light Co. of America	Brooklyn 37, N. Y.	BU	Hughes Aircraft Co.	Culver City, Calif.
JJ	Leecraft Manufacturing Co.	New York, N. Y.	BV	International Rectifier Corp.	El Segundo, Calif.
KK	Switchcraft, Inc.	Chicago 22, Ill.	BW	James Knights Co.	Sandwich, Ill.
LL	Gremar Manufacturing Co.	Wakefield, Mass.	BX	Mueller Electric Co.	Cleveland, Ohio
MM	Carad Corp.	Redwood City, Calif.	BY	Precision Thermometer & Inst. Co.	Philadelphia 30, Pa.
NN	Electra Manufacturing Co.	Kansas City, Mo.	BZ	Radio Essentials Inc.	Mt. Vernon, N. Y.
OO	Acro Manufacturing Co.	Columbus 16, Ohio	CA	Raytheon Manufacturing Co.	Newton, Mass.
PP	Alliance Manufacturing Co.	Alliance, Ohio	CB	Tung-Sol Lamp Works, Inc.	Newark 4, N. J.
QQ	Arco Electronics, Inc.	New York 13, N. Y.	CD	Varian Associates	Palo Alto, Calif.
RR	Astron Corp.	East Newark, N. J.	CE	Victory Engineering Corp.	Union, N. J.
SS	Axel Brothers Inc.	Long Island City, N. Y.	CF	Weckesser Co.	Chicago 30, Ill.
TT	Belden Manufacturing Co.	Chicago 44, Ill.	CG	Wilco Corporation	Indianapolis, Ind.
UU	Bird Electronics Corp.	Cleveland 14, Ohio	CH	Winchester Electronics, Inc.	Santa Monica, Calif.
VV	Barber Colman Co.	Rockford, Ill.	CI	Malco Tool & Die	Los Angeles 42, Calif.
WW	Bud Radio Inc.	Cleveland 3, Ohio	CJ	Oxford Electric Corp.	Chicago 15, Ill.
XX	Allen D. Cardwell Mfg. Co.	Plainville, Conn.	CK	Camloc-Fastener Corp.	Paramus, N. J.
YY	Cinema Engineering Co.	Burbank, Calif.	CL	George K. Garrett	Philadelphia 34, Pa.
ZZ	Any brand tube meeting RETMA standards.		CM	Union Switch & Signal	Swissvale, Pa.
AB	Corning Glass Works	Corning, N. Y.	CN	Radio Receptor	New York 11, N. Y.
AC	Dale Products, Inc.	Columbus, Neb.	CO	Automatic & Precision Mfg. Co.	Yonkers, N. Y.
AD	The Drake Mfg. Co.	Chicago 22, Ill.	CP	Bassick Co.	Bridgeport 2, Conn.
AE	Elco Corp.	Philadelphia 24, Pa.	CQ	Birnbach Radio Co.	New York 13, N. Y.
AF	Hugh H. Eby Co.	Philadelphia 44, Pa.	CR	Fischer Specialties	Cincinnati 6, Ohio
AG	Thomas A. Edison, Inc.	West Orange, N. J.	CS	Telefunken (c/o MVM, Inc.)	New York, N. Y.
AH	Fansteel Metallurgical Corp.	North Chicago, Ill.	CT	Potter-Brumfield Co.	Princeton, Ind.
AI	General Ceramics & Steatite Corp.	Keasbey, N. J.	CU	Cannon Electric Co.	Los Angeles, Calif.
AJ	The Gudeman Co.	Sunnyvale, Calif.	CV	Dynac, Inc.	Palo Alto, Calif.
			CW	Good-All Electric Mfg. Co.	Ogallala, Nebr.

CLAIM FOR DAMAGE IN SHIPMENT

The instrument should be tested as soon as it is received. If it fails to operate properly, or is damaged in any way, a claim should be filed with the carrier. A full report of the damage should be obtained by the claim agent, and this report should be forwarded to us. We will then advise you of the disposition to be made of the equipment and arrange for repair or replacement. Include model number and serial number when referring to this instrument for any reason.

WARRANTY

Hewlett-Packard Company warrants each instrument manufactured by them to be free from defects in material and workmanship. Our liability under this warranty is limited to servicing or adjusting any instrument returned to the factory for that purpose and to replace any defective parts thereof. Klystron tubes as well as other electron tubes, fuses and batteries are specifically excluded from any liability. This warranty is effective for one year after delivery to the original purchaser when the instrument is returned, transportation charges prepaid by the original purchaser, and when upon our examination it is disclosed to our satisfaction to be defective. If the fault has been caused by misuse or abnormal conditions of operation, repairs will be billed at cost. In this case, an estimate will be submitted before the work is started.

If any fault develops, the following steps should be taken:

1. Notify us, giving full details of the difficulty, and include the model number and serial number. On receipt of this information, we will give you service data or shipping instructions.
2. On receipt of shipping instructions, forward the instrument prepaid, to the factory or to the authorized repair station indicated on the instructions. If requested, an estimate of the charges will be made before the work begins provided the instrument is not covered by the warranty.

SHIPPING

All shipments of Hewlett-Packard instruments should be made via Truck or Railway Express. The instruments should be packed in a strong exterior container and surrounded by two or three inches of excelsior or similar shock-absorbing material.

DO NOT HESITATE TO CALL ON US

HEWLETT-PACKARD COMPANY

Laboratory Instruments for Speed and Accuracy

275 PAGE MILL ROAD PALO ALTO, CALIF. U.S.A.

CABLE



"HEWPACK"

