

SWITCH SELECTION	CORRECT DECIMAL POINT	SCHEMATIC DECIMAL POINT	ACTUAL DECIMAL POINT(S)
1MS AND X1 SW #2 AND #5	#4 MHZ LAMP	#4 MHZ LAMP	#4 & #3 MHZ LAMP
1MS AND X10 SW #2 AND #6	#5 MHZ LAMP	#5 MHZ LAMP	#5 & #3 MHZ LAMP
1MS AND X100 SW #2 AND #7	#3 KHZ LAMP	#3 KHZ LAMP	#3 KHZ LAMP
1MS AND X1000 SW #2 AND #8	#1 HZ LAMP	NONE HZ LAMP	#3 & #1 HZ LAMP
0.1S AND X1 SW #3 AND #5	#3 KHZ LAMP	#3 KHZ LAMP	#4 & #3 KHZ LAMP
0.1S AND X10 SW #3 AND #6	#4 KHZ LAMP	#4 KHZ LAMP	#4 KHZ LAMP
0.1S AND X100 SW #3 AND #7	#3 KHZ LAMP	#5 KHZ LAMP	#4 & #3 KHZ LAMP
0.1S AND X1000 SW #3 AND #8	#3 HZ LAMP	#3 & #1 HZ LAMP	#4 & #3 HZ LAMP
1SEC AND X1 SW #4 AND #5	#1 HZ LAMP	#1 HZ LAMP	#4 & #3 & #1 HZ LAMP
1SEC AND X10 SW #4 AND #6	#2 HZ LAMP	#2 HZ LAMP	#4 & #3 & #2 HZ LAMP
1SEC AND X100 SW #4 AND #7	#2 HZ LAMP	#3 HZ LAMP	#4 & #3 HZ LAMP
1SEC AND X1000 SW #4 AND #8	#4 HZ LAMP	#4 & #1 HZ LAMP	#4 & #3 HZ LAMP

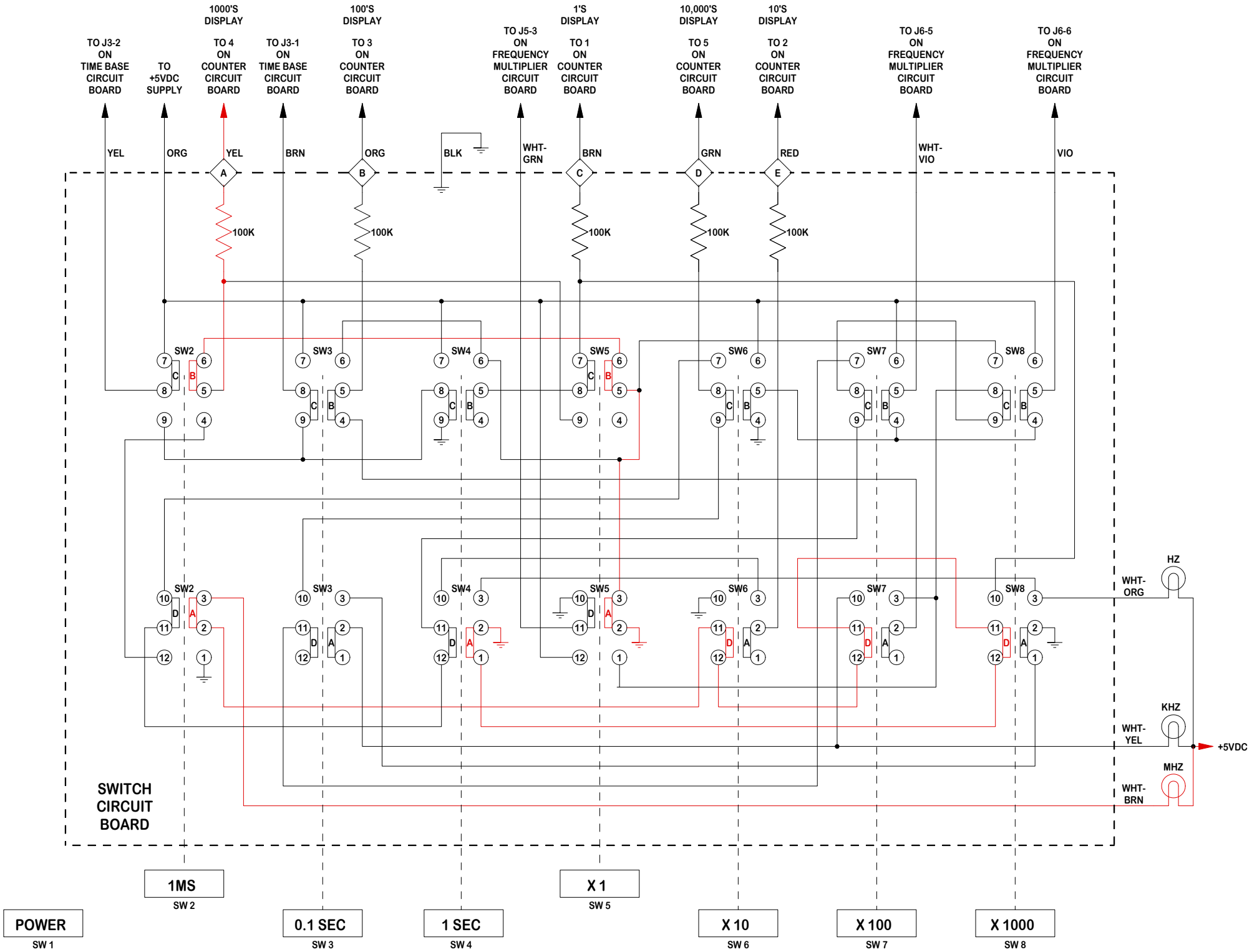
STEAM POWERED RADIO ENGINEERING
PINOLE CALIFORNIA

HEATHKIT IB-1103 FREQUENCY COUNTER
POINT POSITIONS VERSUS SWITCH SELECTION

DESIGNED BY: ZOEY WIGFIELD	DATE 01/02/19	SIZE A	FILENAME: C:\STEAM POWERED RADIO\CADI\HEATHKIT\	REV A
DRAWN BY: BAILEY WIGFIELD	01/02/19	HEATHKIT IB_1103 DECIMAL POINT VS SWITCH SELECTION.FCW		
APPROVED BY: TUCKER WIGFIELD	01/02/19	SCALE: FULL	SHEET 1 OF 1	

1MS & X1 SWITCHES DEPRESSED

DECIMAL POSITION LIT=#4 + MHZ Lamp



POWER

SW 1

1MS

SW 2

0.1 SEC

SW 3

1 SEC

SW 4

X 1

SW 5

X 10

SW 6

X 100

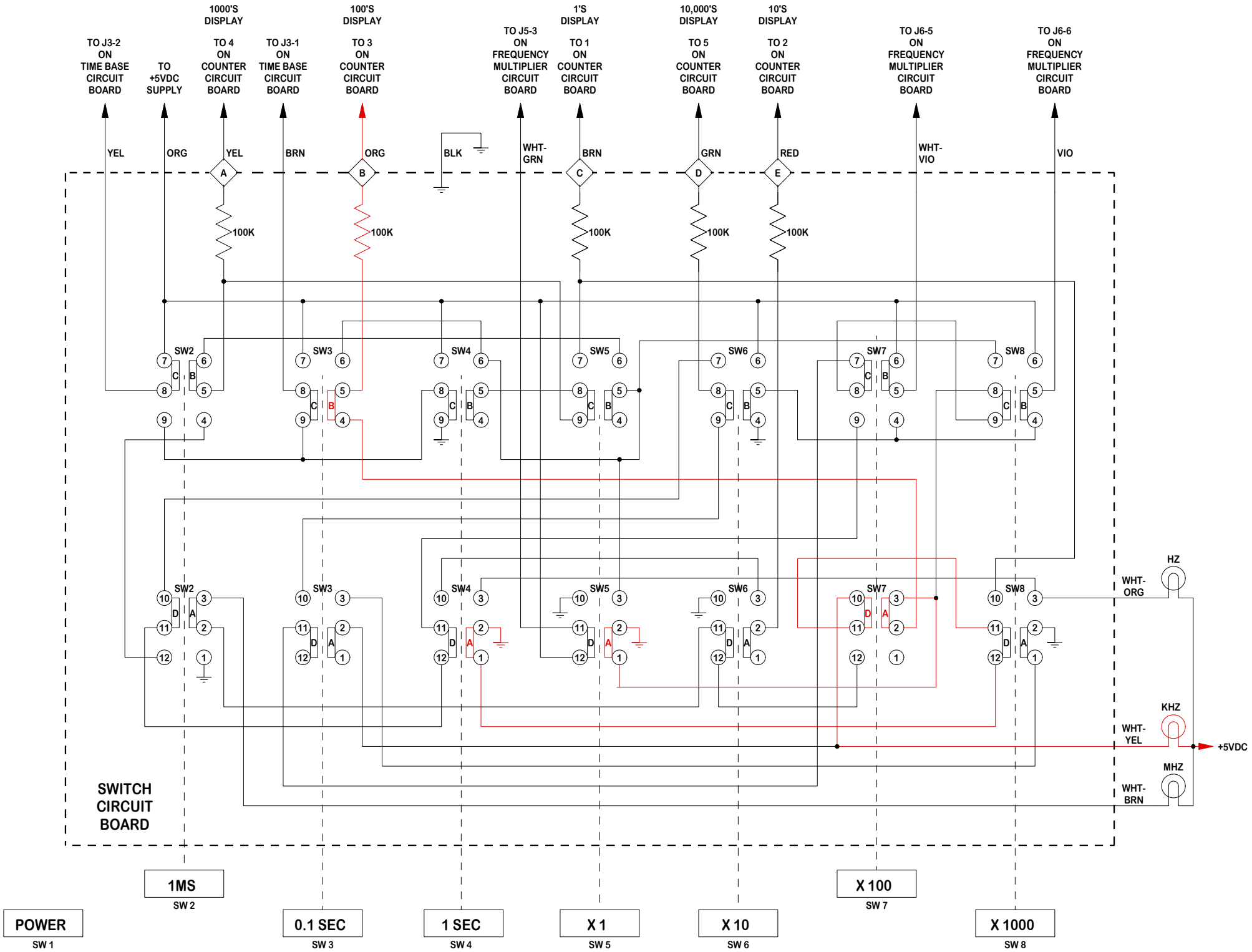
SW 7

X 1000

SW 8

1MS & X100 SWITCHES DEPRESSED

DECIMAL POSITION LIT=#3 and KHZ Lamp (Correct!)



POWER

SW 1

1MS

SW 2

0.1 SEC

SW 3

1 SEC

SW 4

X 1

SW 5

X 10

SW 6

X 100

SW 7

X 1000

SW 8

WHT-ORG HZ

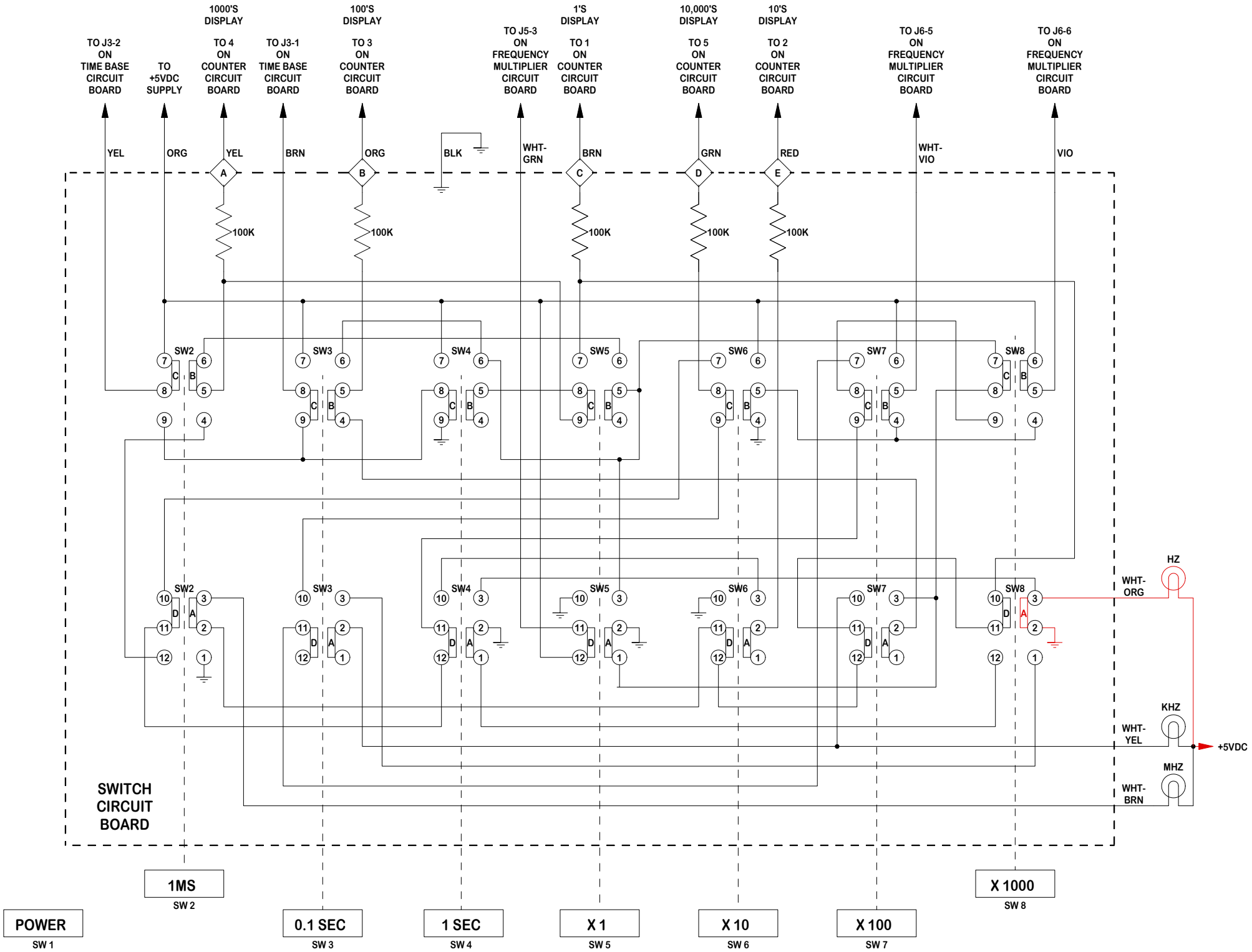
WHT-YEL KHZ

WHT-BRN MHZ

+5VDC

1MS & X1000 SWITCHES DEPRESSED

DECIMAL POSITION LIT= None and HZ Lamp



POWER

SW 1

1MS

SW 2

0.1 SEC

SW 3

1 SEC

SW 4

X 1

SW 5

X 10

SW 6

X 100

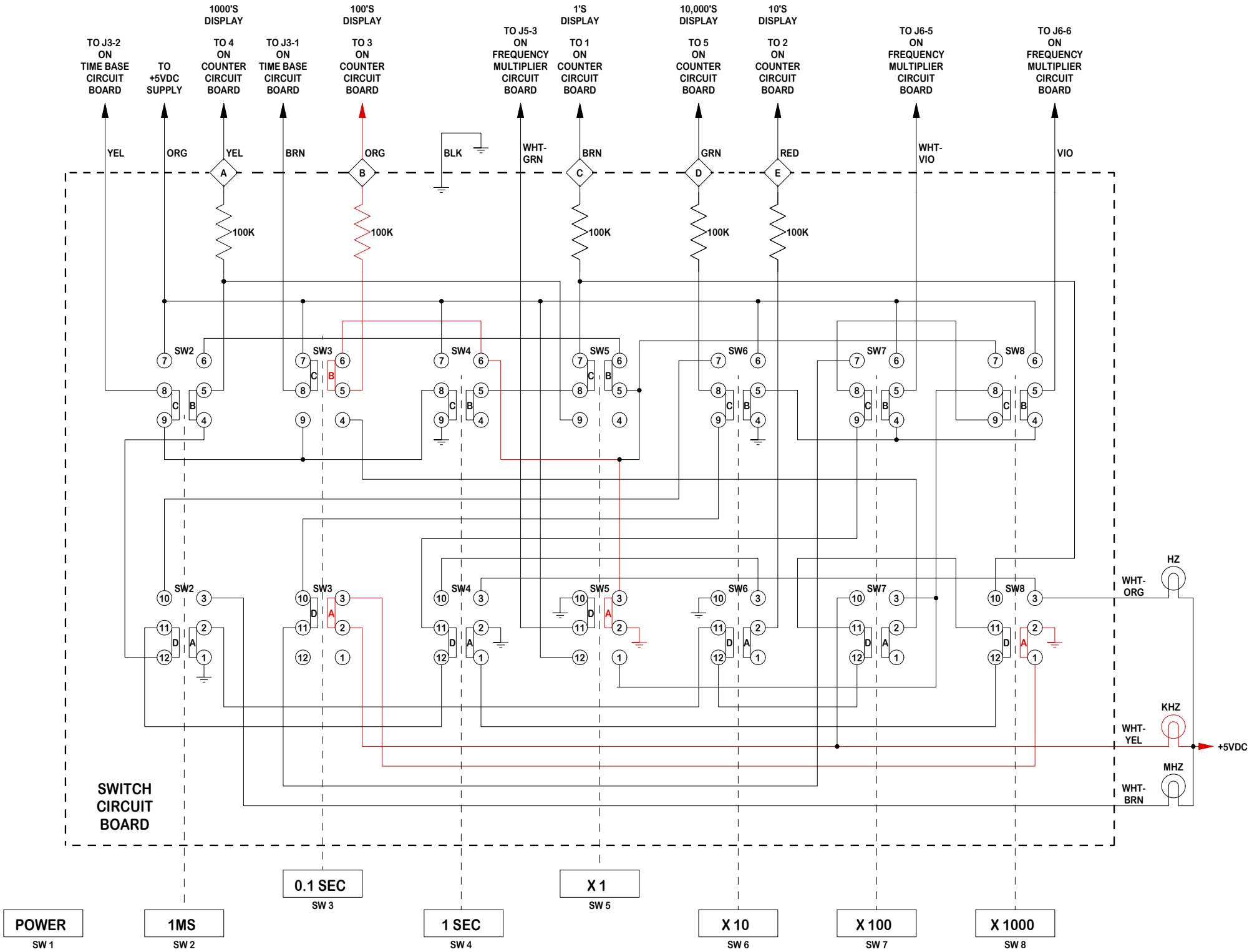
SW 7

X 1000

SW 8

0.1 SEC & X1 SWITCHES DEPRESSED

DECIMAL POSITION LIT=#3 and KHZ Lamp



POWER

SW 1

1MS

SW 2

0.1 SEC

SW 3

1 SEC

SW 4

X 1

SW 5

X 10

SW 6

X 100

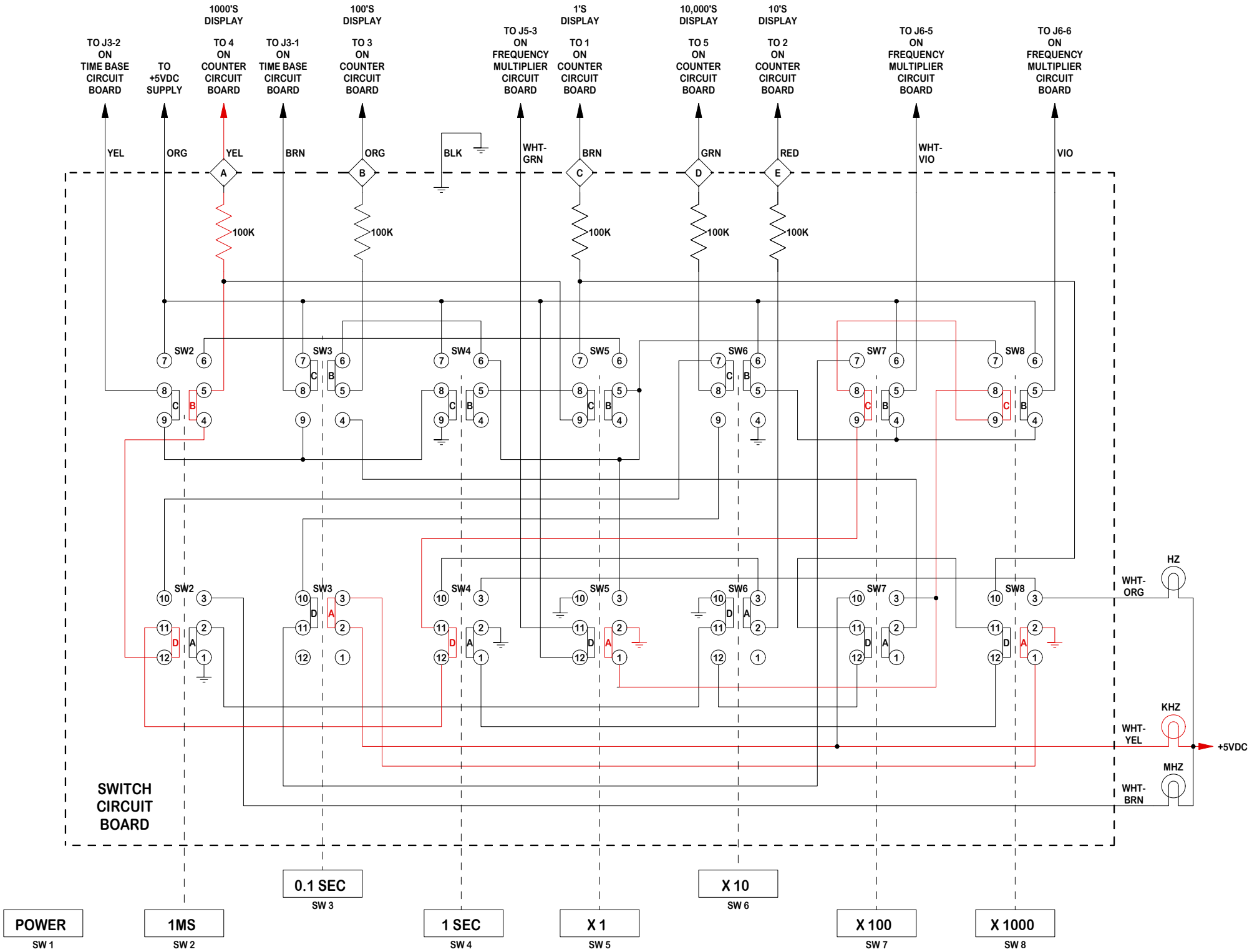
SW 7

X 1000

SW 8

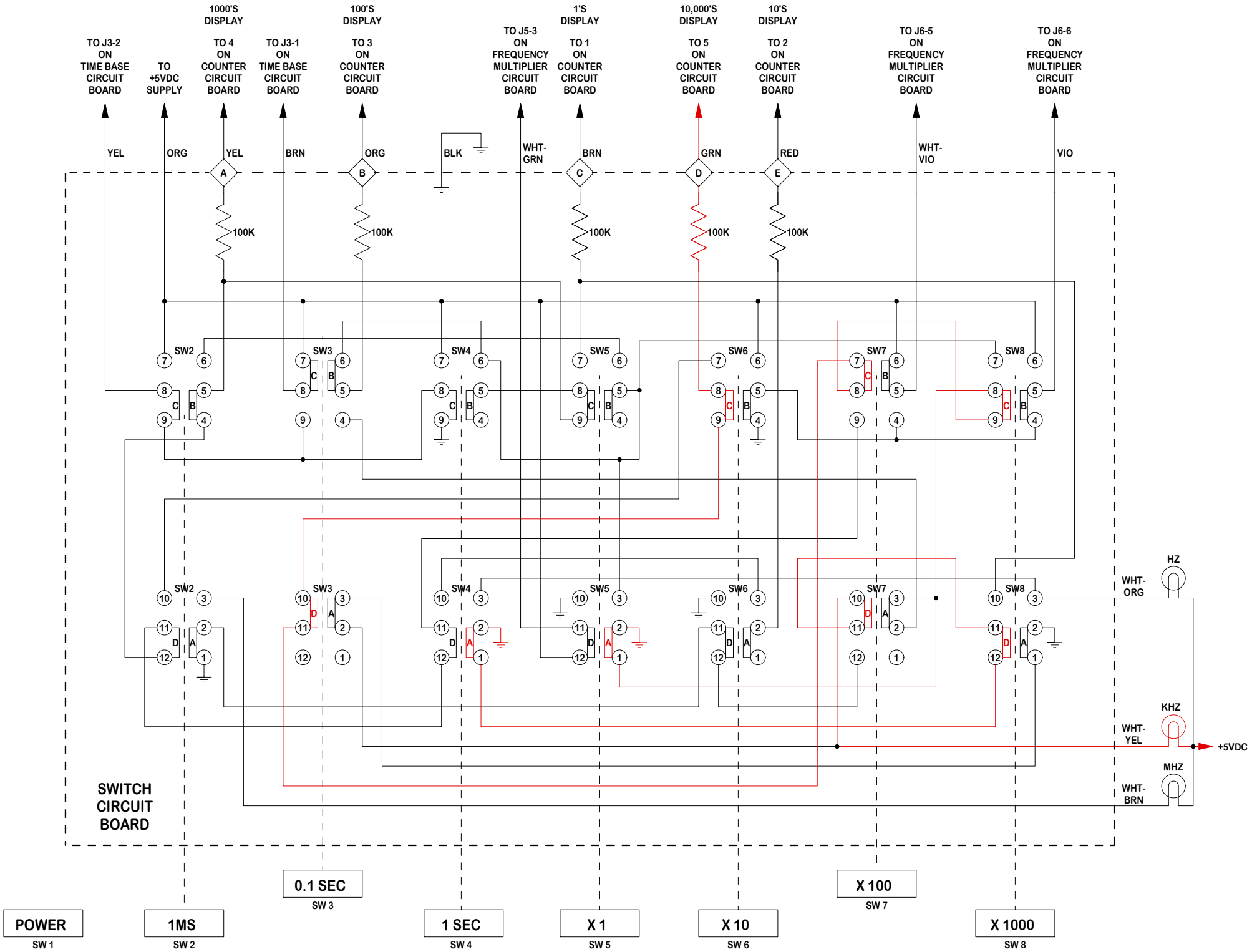
0.1SEC & X 10 SWITCHES DEPRESSED

DECIMAL POSITION LIT=#4 and KHZ Lamp



0.1 SEC & X 100 SWITCHES DEPRESSED

DECIMAL POSITION LIT=#5 and KHZ Lamp



POWER

SW 1

1MS

SW 2

0.1 SEC

SW 3

1 SEC

SW 4

X 1

SW 5

X 10

SW 6

X 100

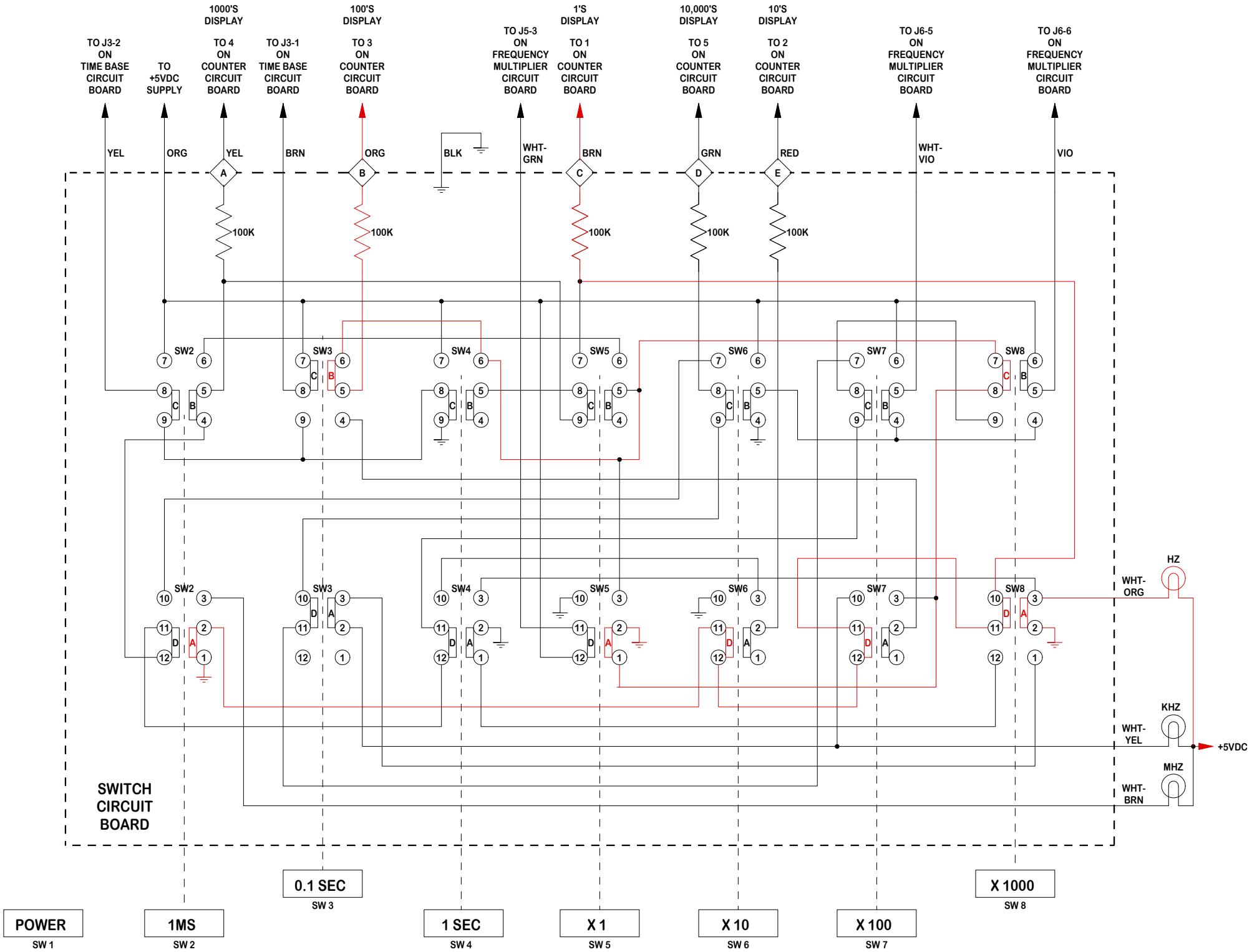
SW 7

X 1000

SW 8

0.1 SEC & X 1000 SWITCHES DEPRESSED

DECIMAL POSITION LIT=#3 and #1 and HZ Lamp



POWER
SW 1

1MS
SW 2

0.1 SEC
SW 3

1 SEC
SW 4

X 1
SW 5

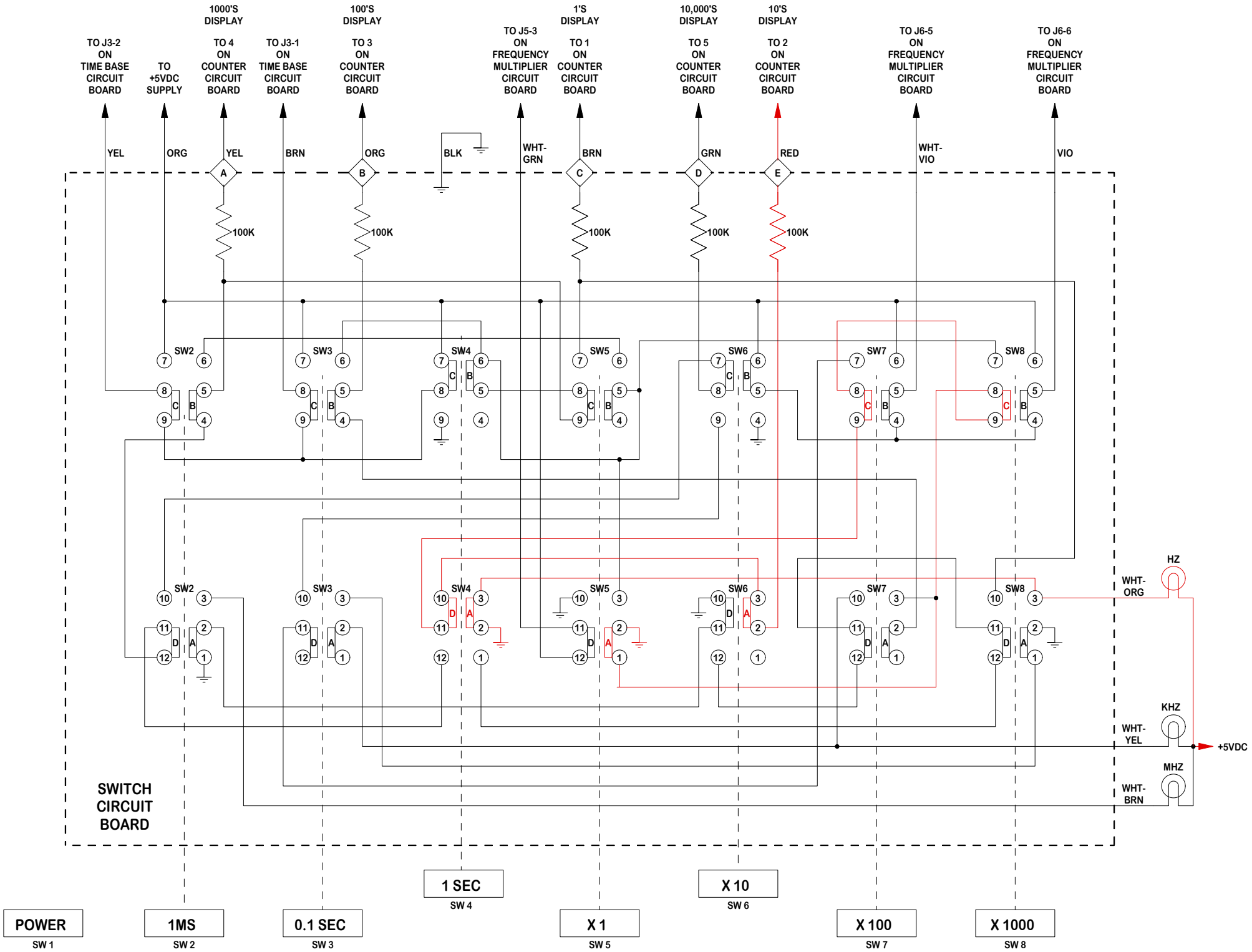
X 10
SW 6

X 100
SW 7

X 1000
SW 8

1 SEC & X10 SWITCHES DEPRESSED

DECIMAL POSITION LIT=#2 and HZ Lamp



POWER

SW 1

1MS

SW 2

0.1 SEC

SW 3

1 SEC

SW 4

X 1

SW 5

X 10

SW 6

X 100

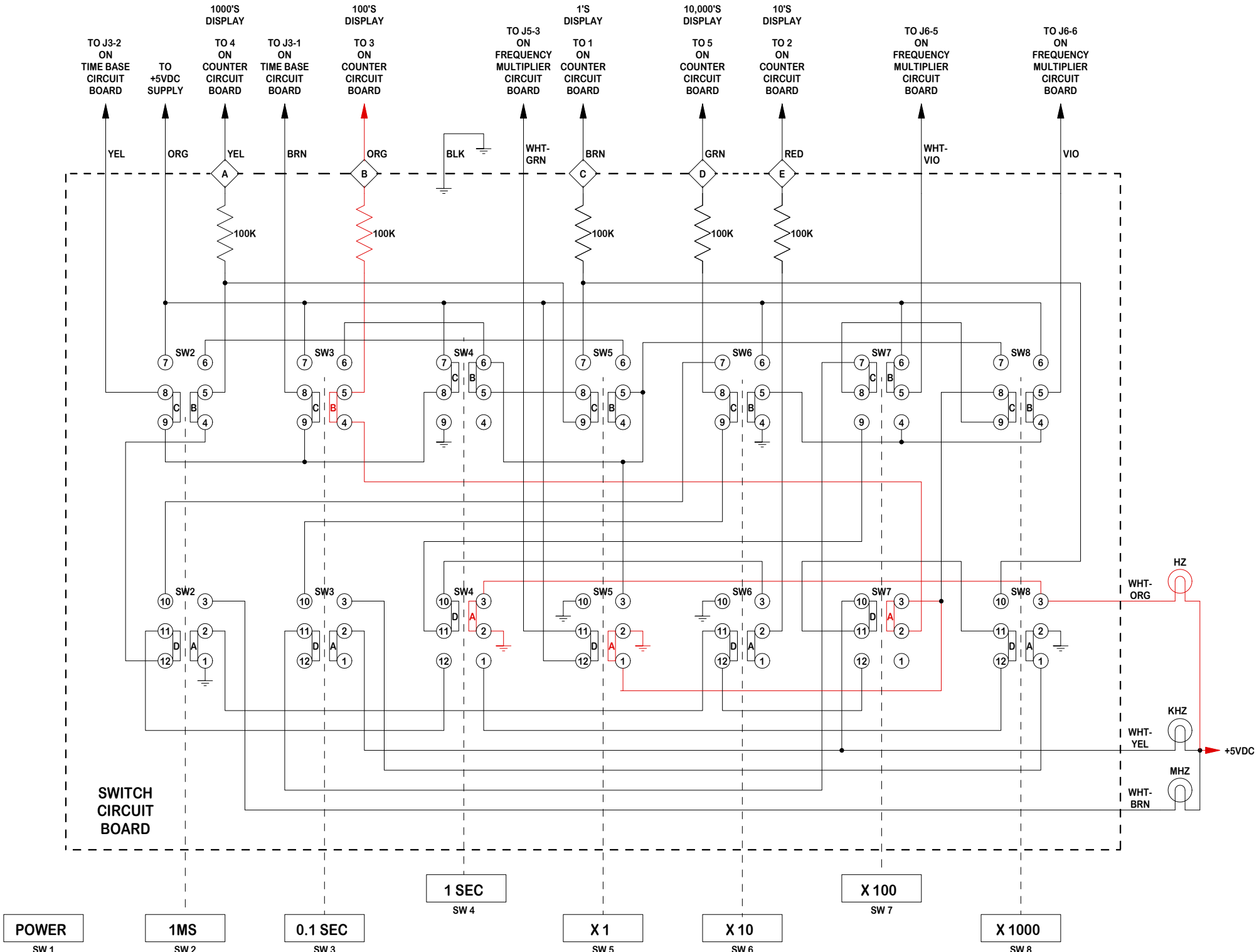
SW 7

X 1000

SW 8

1 SEC & X100 SWITCHES DEPRESSED

DECIMAL POSITION LIT=#3 and HZ Lamp



POWER SW 1

1MS SW 2

0.1 SEC SW 3

1 SEC SW 4

X 1 SW 5

X 10 SW 6

X 100 SW 7

X 1000 SW 8

1 SEC & X1000 SWITCHES DEPRESSED

DECIMAL POSITION LIT=#4 and #1 and HZ lamp

