

CR2953-7 DEFINITE TIME INTERLOCK

These geared type time interlocks are adjustable between $\frac{1}{2}$ and 4 seconds and are for use on a-c contactors to provide a time interval between the closing of the contactor and the opening or closing of the contacts on the interlock.

CR2953-7C forms have contacts which are OPEN when the contactor is de-energized but have a delayed CLOSING after the contactor is energized. Contacts open quickly when contactor is de-energized.

CR2953-7D forms have contacts which are CLOSED when the contactor is de-energized but have a delayed OPENING after the contactor is energized. Contacts close quickly when contactor is de-energized.

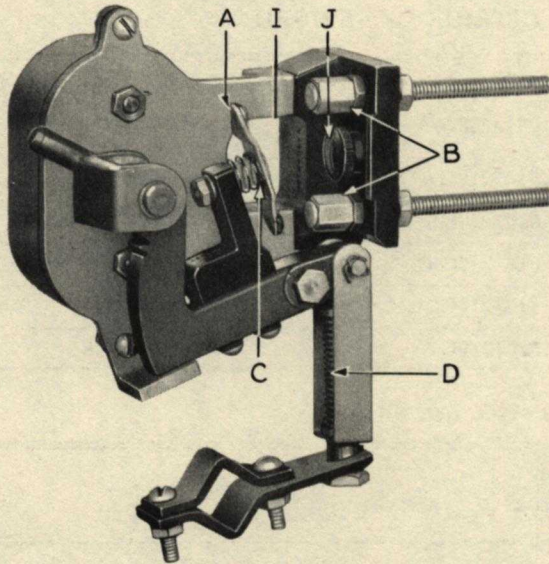


Fig. 1. CR2953-7C Interlock, Normally Open Contact, Time Closing

The contacts will carry continuously 15 amperes, make momentarily 40 amperes, and break the values of current listed below:

A-c Volts	Amp
110	40
220	20
440	8
550	6

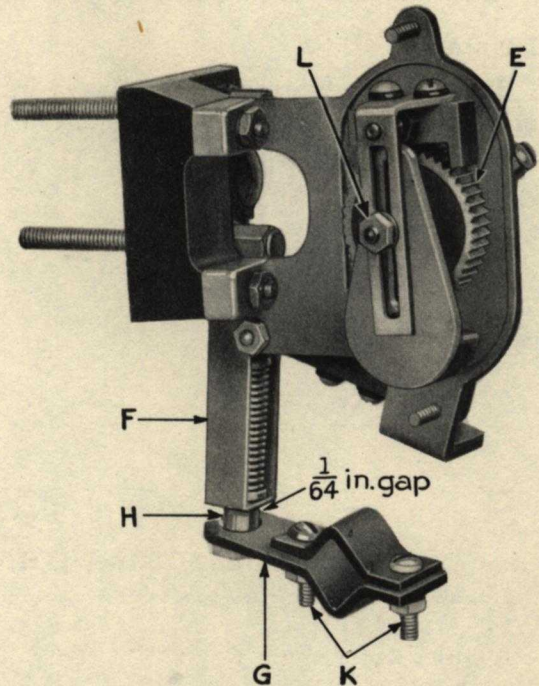


Fig. 2. CR2953-7 Interlock with Cover Removed to Show Escapement and Means of Adjusting the Time Interval

ASSEMBLY AND TIME ADJUSTMENT CR2953-7C, FIG. 1 AND 2

Assemble interlock to panel and connect links (F) to operating lever (G). When contactor armature is sealed in CLOSED position the head of Screw (I) should close against insulated unit (J) with a gap of $\frac{1}{16}$ in. between links (F) and pull rod (H). This combination is obtained by adjusting Screw (K).

CR2953-7D, FIG. 2 AND 3

This form is similar to form 7C except that the head of screw (I) must close against part (Q) with a gap of $\frac{1}{16}$ in. between links (F) and pull rod (H).

TIME ADJUSTMENT FOR BOTH FORMS, FIG. 2

The interlock is adjusted at the factory to give approximately $2\frac{1}{2}$ seconds time interval.

These instructions do not purport to cover all details or variations in equipment nor to provide for every possible contingency to be met in connection with installation, operation or maintenance. Should further information be desired or should particular problems arise which are not covered sufficiently for the purchaser's purposes, the matter should be referred to the General Electric Company.

GENERAL  ELECTRIC

To obtain more or less than this, loosen nut (L) and move same up to obtain a shorter time interval and down for a longer time interval. Tighten nut after time adjustment is obtained.

Lubrication

The interlock bearings are lubricated with a graphite lubricant and should not require further lubrication during their life.

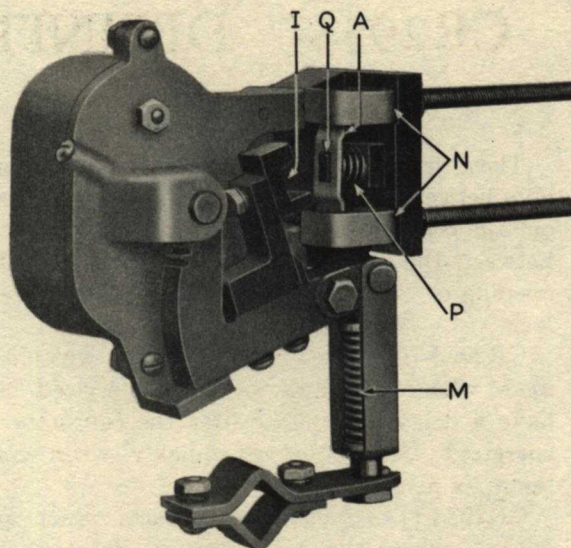


Fig. 3. CR2953-7D Interlock, Normally Closed Contact, Time Opening

CONTACTOR WITH WHICH INTERLOCK IS USED

8-hour Amp Rating	Contactor	CAT. NO. OF INTERLOCK	
		CR2953-7C	CR2953-7D
75	CR2810-1343, -1353	5167219G1	5167219G2
150	CR2810-1553	5167219G9	5167219G10
300	CR2810-1563	5167219G3	5167219G4
600	CR2810-1573	5167219G11	5167219G12
1000	CR2810-1251	5167219G7	5167219G8

RENEWAL PARTS—SEE FIG. 1, 2, AND 3

Ref Letter	CR2953-7C Cat. No.	CR2953-7D Cat. No.	Name of Part
A	3667572G1	3667572G1	Movable contact
B	3840413G2	Stationary contact
C	2411917	Spring for movable contact
D	Spring for operating arm
E	5371332G4	5371332G4	Shaft and ratchet assembly
F	4963667P7	4963667P7	Pinion (not shown in illustration)
M	Spring for operating arm
N	4962365G2	Stationary contact
P	2414109	Spring for movable contact