



HARRIS

SERVICE BULLETIN

MAINTENANCE AND MODIFICATION DATA

Broadcast Division

BULLETIN NO: AM-375-RPJ

DATE: MARCH 1990

EQUIPMENT: MW-1A PA MODULES

SUBJECT: History of updates to MW-1A PA Module.

This bulletin contains a history of all updates done to the MW-1A PA modules to date. All items except #1 and #6 should be done to all PA modules to bring transmitter performance up to specification. Items #1 and #6 are not electronically necessary, but do make transistor replacement easier.

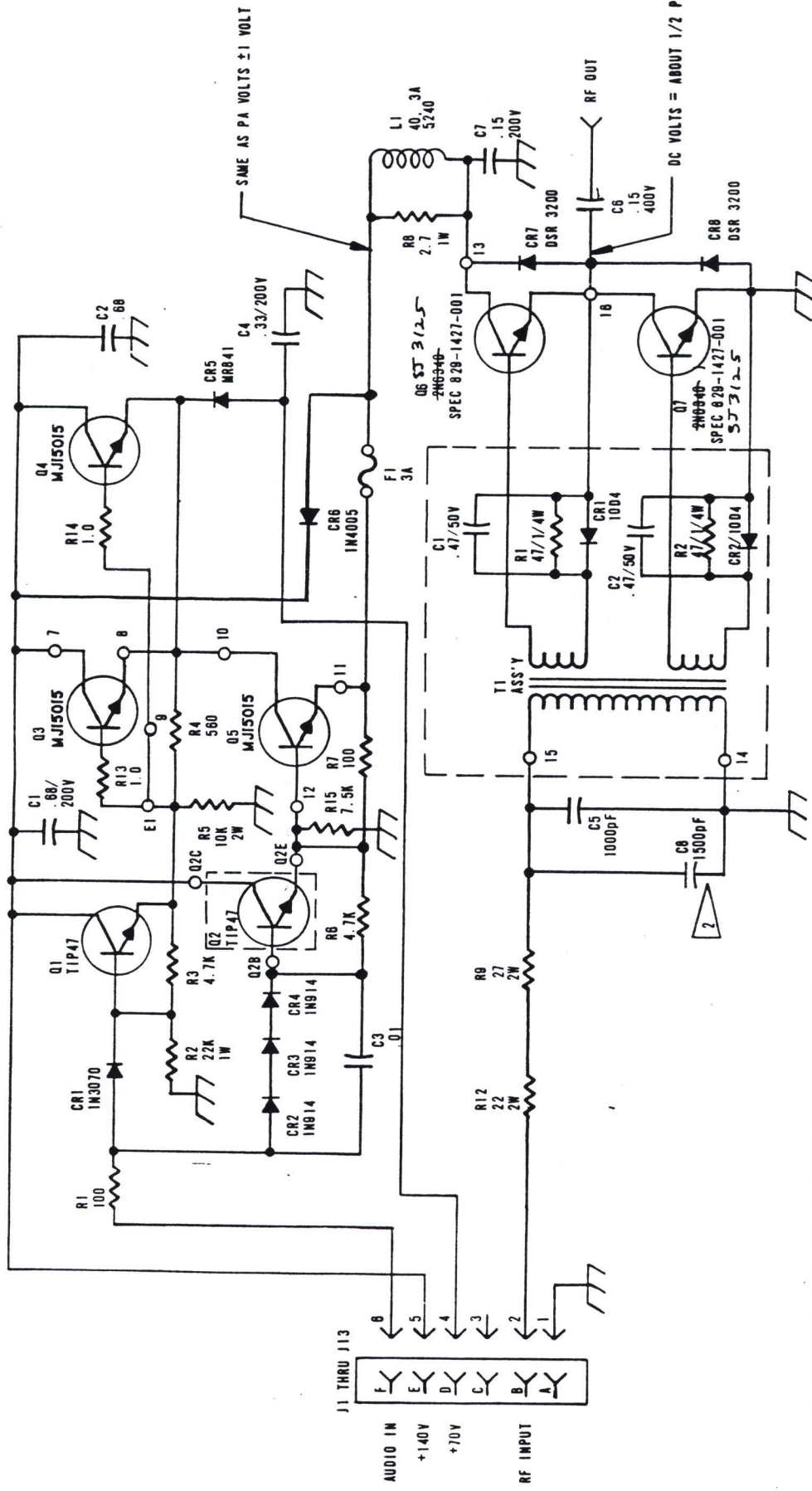
1. Transistors sockets XQ-6 and XQ-7, 404-0661-000.
2. Resistor R11 and Pot R10 removed.
3. Resistor R12 = 22 ohm, 540-0571-000.
4. Resistor R9 = 27 ohm, 540-0573-000.
5. CR6 = 1N4005, 384-0020-000. See AM-141-CKH.
6. RF Input Board is installed, 992-5217-001, T1.
7. Q6 and Q7 must be ^{2N5038}~~SJ3125~~ transistors, 380-⁰⁷⁹⁰~~0513~~-000
8. Verify that Q2 is wired per revision N schematic.
9. Verify that DSR 3200 diodes are installed across Q6 and Q7, 384-0678-000. See AM-120-LAP.
10. Q3, Q4 and Q5 = MJ15015, 380-0670-000.

If you should have any questions pertaining to any of the above material, please direct your inquiries to:

Harris Corporation
 Radio Field Service
 217-222-8200, ext 3528
 FAX #: 217/222-9443

ENCLOSURE:

Service Bulletins #AM-120-LAP
 AM-138-TLH
 AM-141-CKH
 Schematic



- 6. RESISTORS ARE 1/2WATT, 5% UNLESS OTHERWISE SPECIFIED.
- 5. RESISTANCE IN OHMS
- 4. CAPACITANCE IN uF
- 3. INDUCTANCE IN uH



NOTE:

FIGURE 8-3. RF/PA MODULE
 A1-A13, SCHEMATIC
 828 8512 001
 888-1732-C
 8-7/8