



Equipment: MW-1/MW-1A

Bulletin No. AM-141-CKH

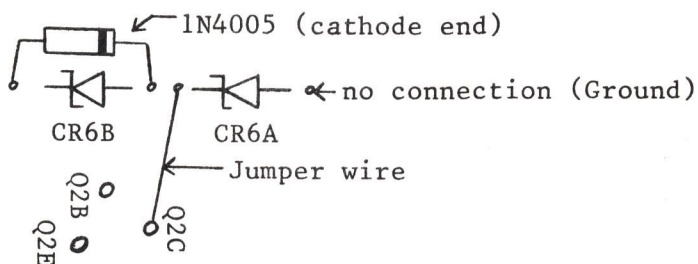
Date

ECN 24718

June, 1980

PROBLEM ENCOUNTERED: 386-0373-000 Zener Diode Matched Pair used in the PA Module 992-4201-001 is no longer available. This pair is replaced by a single 1N4005 diode 384-0020-000 and is installed as follows:

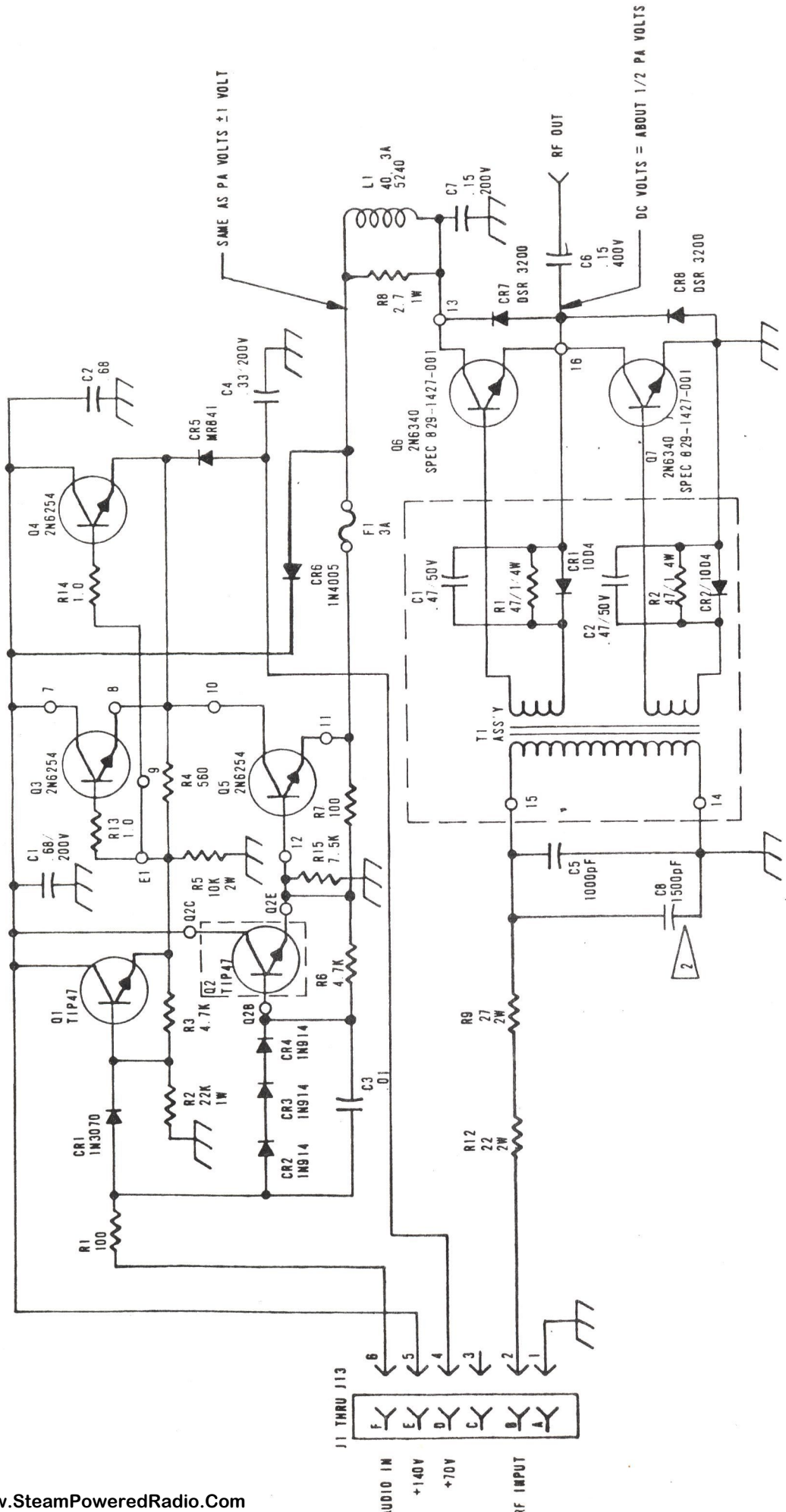
- 1) Remove both CR6A and B.
- 2) Install 1N4005 in CR6B mounting holes in the opposite polarity of the original diode.



- 3) Install a jumper wire from mounting hole for CR6A cathode to the mounting post marked Q2C. (The CR6A anode hole is not used.)
- 4) Change parts list to read CR6, 384-0020-000, Diode 1N4005.
- 5) Replace your original schematic 828-8512-001 with the attached revision M.

THIS COMPLETES THE MODIFICATION

NOTE: Previously lightning transients were clamped to ground via CR6A and CR6B. This modification clamps transients to the +140 volt line forcing them back through the power supply.



- 6. RESISTORS ARE 1/2WATT, 5% UNLESS OTHERWISE SPECIFIED.
- 5. RESISTANCE IN OHMS
- 4. CAPACITANCE IN UF
- 3. INDUCTANCE IN UH
- 2. CB TO BE USED BELOW 10MHZ.
- 1.

NOTE.

FIGURE 8-3. RF/PA MODULE, AI-A13, SCHEMATIC 828 8512 001