



SERVICE BULLETIN

MAINTENANCE AND MODIFICATION DATA

BROADCAST PRODUCTS DIVISION

Bulletin No.

Date

Equipment:

MW-1 AM Transmitter

AM-099-LAP

12-23-75

Subject: DC Overload Circuit A-18 Board

To increase reliability of transmitter, the following change should be implemented immediately.

On the "audio input and overload board" (A-18), lift the cathode side of CR1 (where it joins CR2, CR3 and R31) off the board, connect a short insulated wire from lifted side of CR1 to the positive side of C12.

The board should be removed from the transmitter when making change to prevent heat damage to printed circuit board strip.

After change is completed to test circuit, attach jumper wire from Fuse F-1 and momentarily touch the other end of jumper to positive side of CR1. Transmitter should shut down and DC overload indicator should light.

This change will cause the transmitter to trip off immediately in case of DC overload due to any serious component failure.

Subject: RF Module A-1 through A-13 Service Tip

Care must be taken to check out the entire RF module whenever the 3 amp fast flow fuse F-1 has been opened.

Follow the instructions in Table 605; pages 6-31 - 32 and 33 of the instruction book. Adhering to the step by step VOM (RXI Scale) procedures will indicate if the circuit is operational. Never return the module to service without following this check out procedure.

Subject: Service Tip - All Miniature Fuses

Hairline cracks have been known to develop in miniature fuses. Visual inspection for an open fuse is both difficult and unreliable. We feel it would be both faster and easier to use an ohmmeter to "ohm out" each fuse whenever a fuse failure is suspected in the transmitter.

Whenever a 70 or 140 volt fuse is in suspect of having failed, it is important to measure it with an ohmmeter. A failed fuse there will cause damage to the PA module transistors in that supply line.

attach: (3)

HARRIS CORPORATION P.O. Box 4290, Quincy, Illinois 62305 217/222-8200

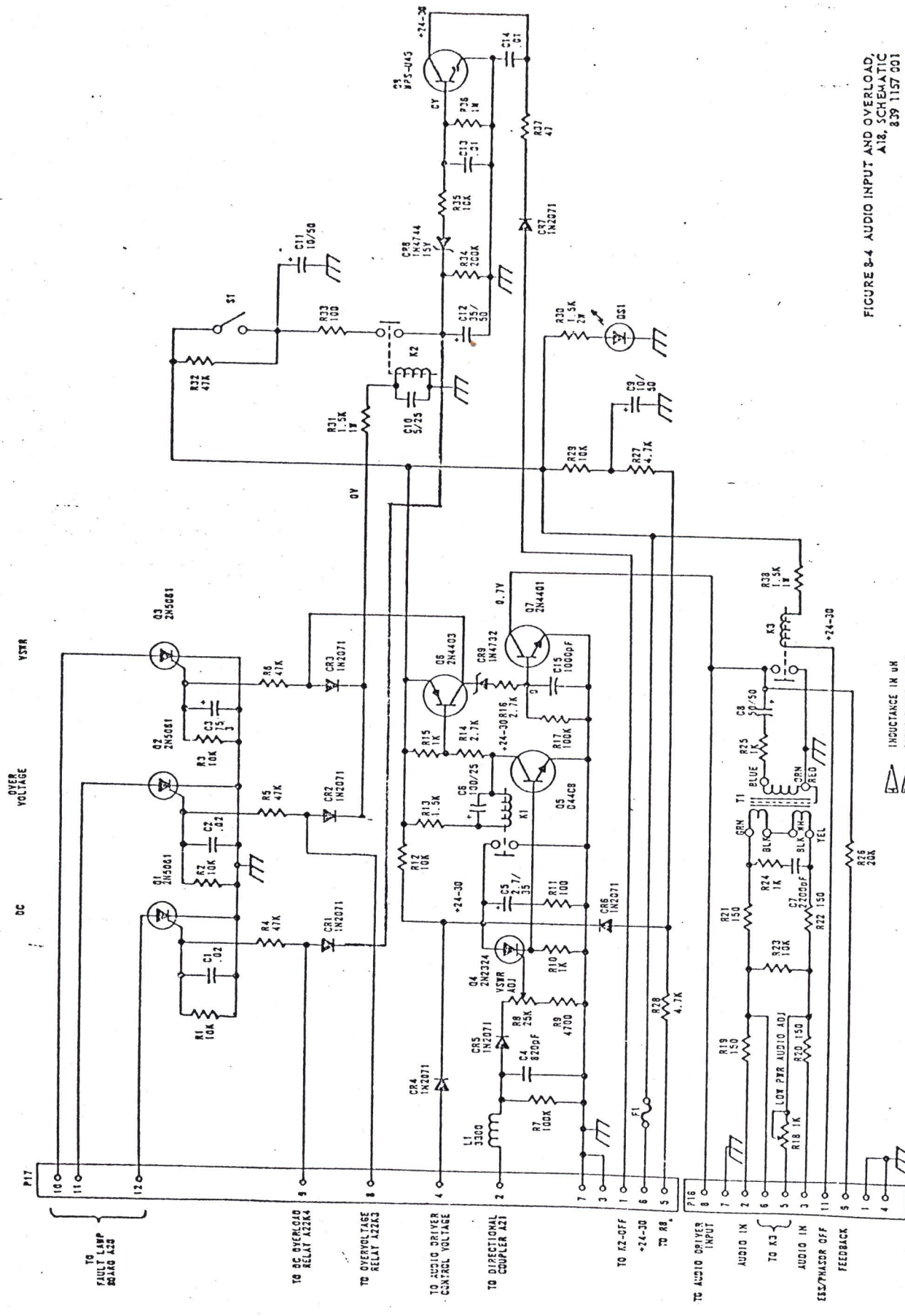


FIGURE 8-4 AUDIO INPUT AND OVERLOAD, A18, SCHEMATIC 839 1157 001

IMPEDANCE IN OHMS
 CAPACITANCE IN UF
 RESISTANCE IN OHMS
 NOTES: UNLESS OTHERWISE NOTED.

HARRIS CORPORATION, Broadcast Products Division
 123 Hawthorne Street, Quincy, Illinois 62301

Warning, disconnect primary power prior to servicing.