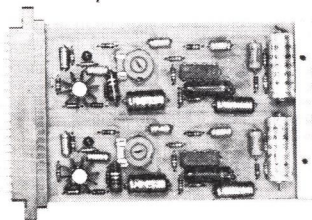


FAIRCHILD

DOUBLE CUE AMPLIFIER CARD

MODEL 692DCA

61K



INSTRUCTION MANUAL



IB692DCA/671

If You Didn't Get This From My Site,
Then It Was Stolen From...

www.SteamPoweredRadio.Com

FAIRCHILD SOUND EQUIPMENT CORPORATION, 10-40 45th Avenue, Long Island City, N.Y. 11101, 212 784-6163

NUMBER
B-96733

ISSUE: 1- CHANGED AS PER E.C.O. #8. 9/10/69 S.K.

2- VALUE OF R7 & R22 WAS 50K. 4/20/70 S.K.

3- ADDED TERMINAL NUMBERS & REMOVED TRANSFORMERS. 5/20/70 S.K.

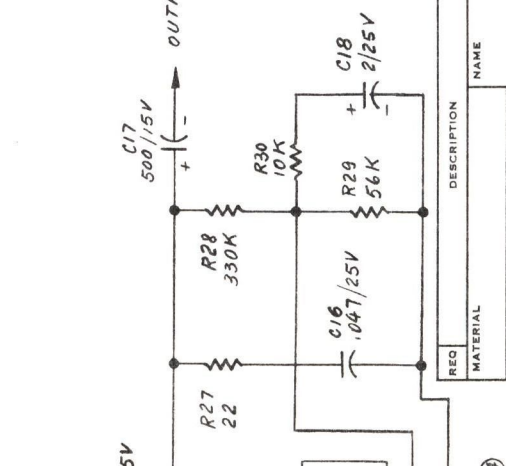
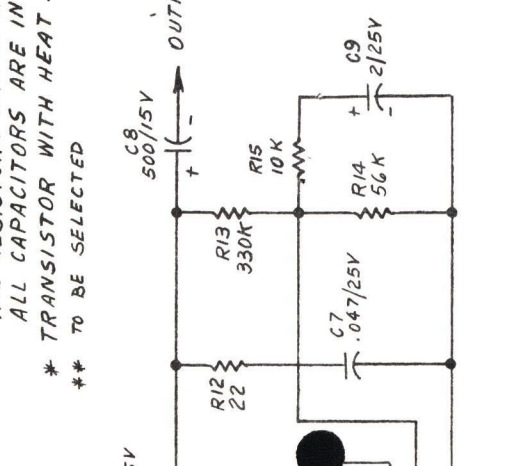
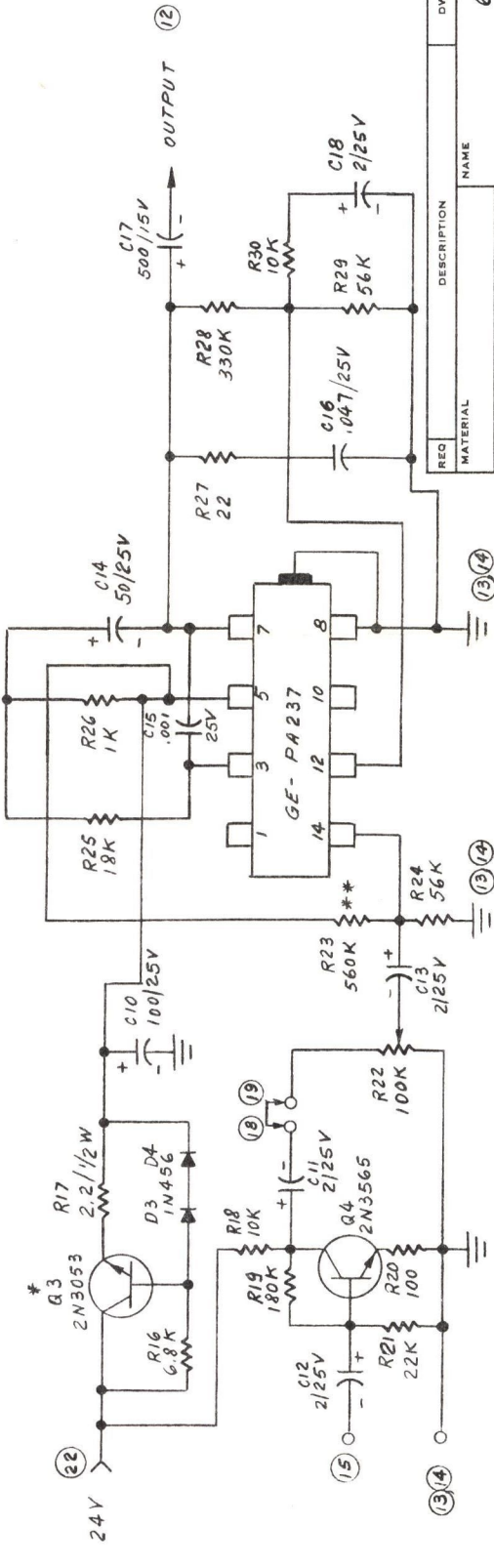
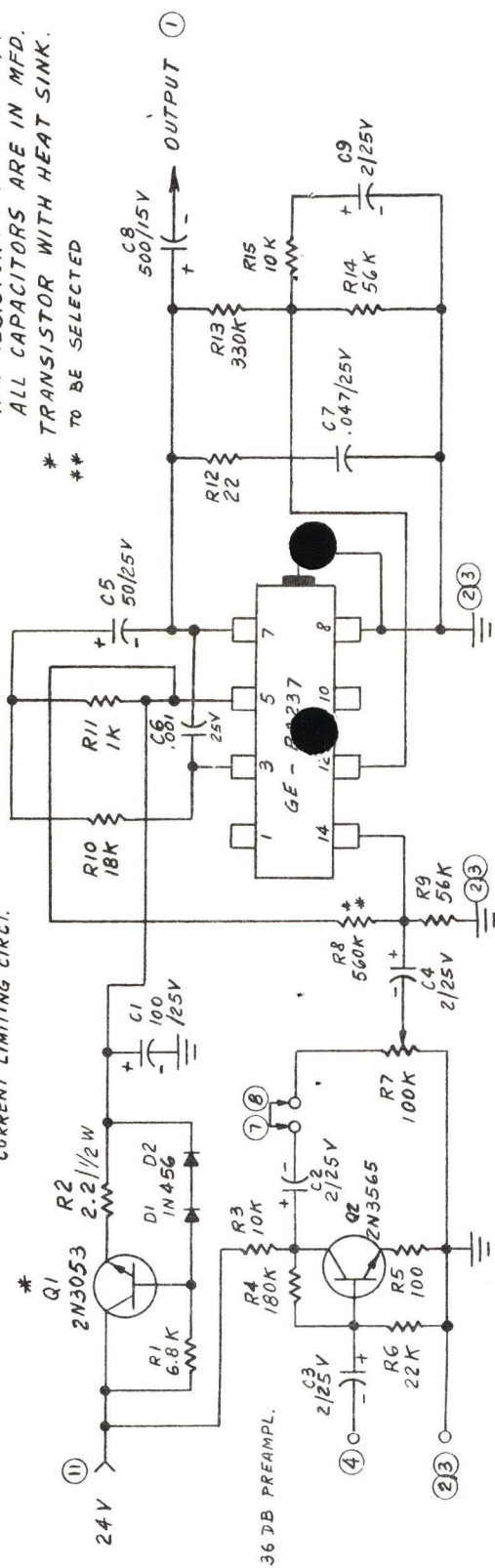
NOTES:
1. UNLESS OTHERWISE SPECIFIED ALL RESISTORS ARE IN OHMS, 1/4W. ALL CAPACITORS ARE IN MFD. * TRANSISTOR WITH HEAT SINK. ** TO BE SELECTED

REMOVE ALL BURS AND SHARP EDGES

DRILL, PUNCH, COMMERCIAL STOCK SIZES AND MANUFACTURERS' TOLERANCES ARE NOT INCLUDED.

DO NOT SCALE DWG. WORK TO FIGURES. TOLERANCES - UNLESS OTHERWISE SPECIFIED DEC. DIMS. ± FRACTIONAL DIMS. ± ANGULAR DIMS. ±

CURRENT LIMITING CIRCT.



REQ	MATERIAL	DESCRIPTION	NAME	DWG NUMBER	ITEM	NEXT ASSEMBLY
				692 DCA		
			SCHEMATIC DIAGRAM			
			FAIRCHILD RECORDING EQUIPMENT CORPORATION 10-40 45 AVE., L. I. C., N. Y.			
FINISH			SCALE			
DRAWN BY			PROJECT ENG			
CHKD BY			DRFTG APP			
ENG			ENG APP			

NUMBER
B-96733

692DCA DOUBLE CUE AMPLIFIER

DESCRIPTION

The Model 692DCA is designed for use in driving cue speakers in broadcast consoles, or in talkback and intercom systems. It consists of two 2 watt amplifiers, with preamps, on a single printed circuit card.

Two IC power modules provide up to 2 watts of audio at less than 1.5% distortion with frequency response of + 1 db from 50 hz to 20Khz. Gain control between the preamp and amplifier section adjusts output level in each channel. Input impedance is 10K and output impedance 0.4 ohms, with recommended speaker loads of 4 Ohms or higher. Power requirements 24VDC (150 ma) per channel.

INSTALLATION

The 692DCA is designed to complement the 692 series audio cards and is 3 9/16" high by 5 1/2" long. The card mounts in a card holder, such as the 692SCH, or card rack file, such as the 692RM, with other 692 series cards.

CONNECTIONS (see schematic)

SPECIFICATIONS

Maximum power output	2 watts into 8 ohms
Frequency response	+ 1 50 hz to 20 Khz
Distortion	1.5% max at full output. .4% at 1 watt output
Noise	60 db below rated output
Power requirement	- 24VDC at 150 ma per amplifier
Input impedance	10K
Output impedance	.4 ohm

WARRANTY & SERVICE POLICY

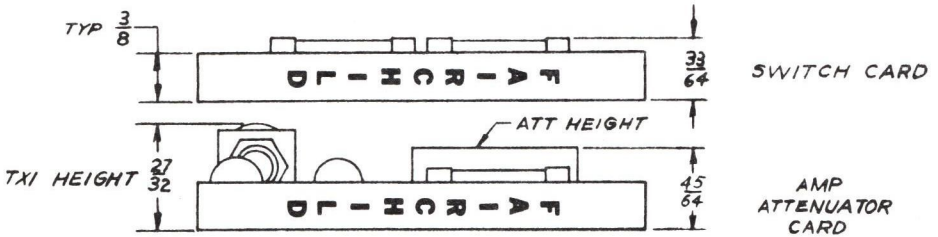
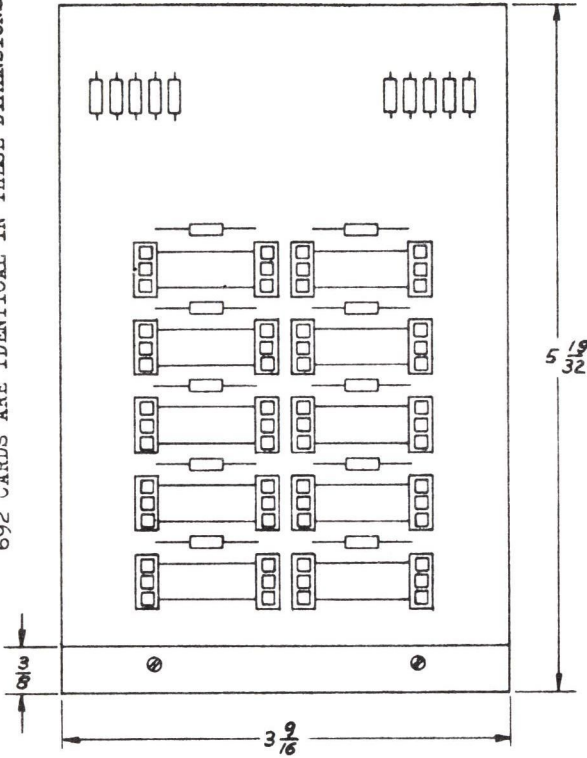
See standard warranty policy. To validate warranty, complete and return the warranty registration card included with this manual. If there is any question on this or any other FAIRCHILD professional product, please do not hesitate to contact our Customer Service Department, FAIRCHILD SOUND EQUIPMENT CORPORATION, 10-40 45th Avenue, Long Island City, New York 11101

ATTACHMENTS

Dimensional drawing A962997
Schematic diagram B96733
Warranty/Registration

INTEGRA II PC BOARD MOUNTING DIMENSIONS

AUDIO SWITCHER CARD USED AS AN EXAMPLE FOR LENGTH & WIDTH. ALL 692 CARDS ARE IDENTICAL IN THESE DIMENSIONS.



A-96297