

GL-112R3 LED Array

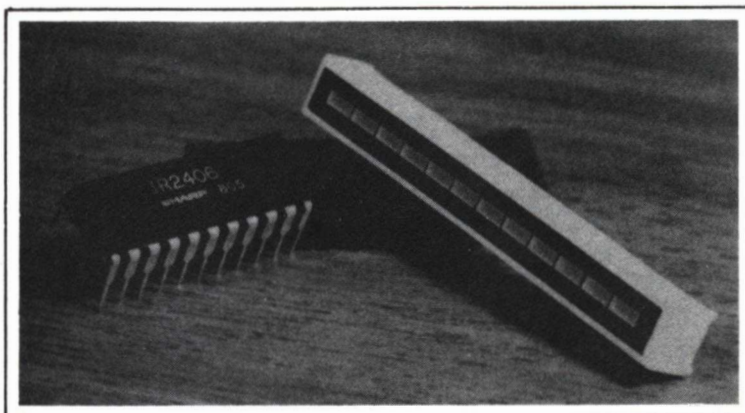
IR-2406 LED Driver

Description

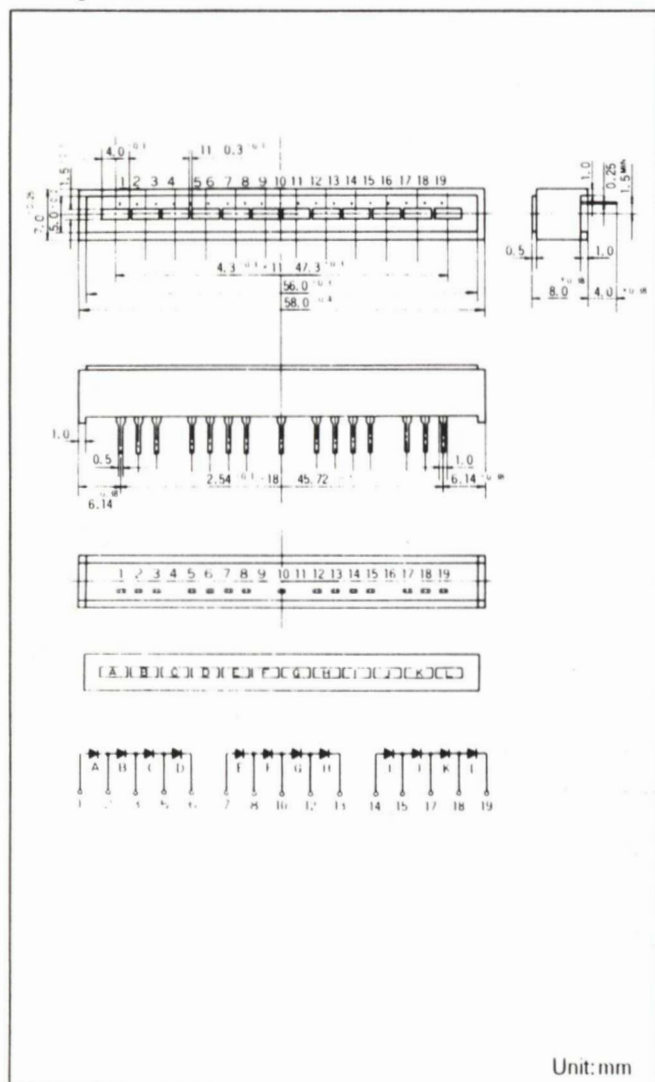
The GL-112R3 is a red LED (GaP) arranged in a 12 dot bar graph configuration. The IR-2406 is an integrated circuit LED driver with 12 outputs. Each successive output turns the LED's on in steps equal to:

$$V_{ref}(\text{Max}) - V_{ref}(\text{Min}) / 13$$

The combination of the GL-112R3 and IR-2406 can be used for linear level indicators or with a logarithmic converter added to the IR-2406 for logarithmic level indications.



Package Dimensions



Absolute Maximum Ratings (Ta=25°C)

Ratings	Symbol	Value	Units
Power Dissipation	P	25	mW
Continuous Forward Current	I _F	10	mA
Forward Current Derating Factor		0.18	mA/°C
Reverse Voltage	V _R	5	V
Operating Temperature	T _{opr}	-20~+70	°C
Storage Temperature	T _{stg}	-20~+80	°C

Electro-Optical Characteristics (Ta=25°C)

Characteristics	Symbol	Min.	Typ.	Max.	Units	Condition
Forward Voltage	V _F	-	1.85	2.5	V	I _F =5mA
Reverse Current	I _R	-	-	100	μA	V _R =3V
Terminal Capacitance	C _t	-	80	-	pF	V=0V f=1MHz
Luminous Intensity	I _v	0.15	0.30	-	mcd	I _F =5mA
Peak Emission Wavelength	λ _p	-	695	-	nm	I _F =5mA
Spectral Radiation Bandwidth	Δλ	-	100	-	nm	I _F =5mA

Pin Configuration

Pin No.	Function	Pin No.	Function
1	Dot A Anode	11	No Pin
2	Dot B Anode	12	Dot H Anode
3	Dot C Anode	13	Dot H Cathode
4	No Pin	14	Dot I Anode
5	Dot D Anode	15	Dot J Anode
6	Dot D Cathode	16	No Pin
7	Dot E Anode	17	Dot K Anode
8	Dot F Anode	18	Dot L Anode
9	No Pin	19	Dot L Cathode
10	Dot G Anode		



6060 MANCHESTER AVENUE, LOS ANGELES, CALIFORNIA 90045
 PHONE (213) 670-7880 TWX (910) 328-6161 TELEX 696397

If You Didn't Get This From My Site,
 Then It Was Stolen From...

www.SteamPoweredRadio.Com

IR-2406 LED DRIVER

Absolute Maximum Ratings

Ratings	Symbol		
Supply Voltage	V _{CC}	18	V
Input Voltage	V ₃	V _{CC}	V
	V ₂₀		
	V ₂₁		
Collector Power Dissipation*	P _c	650	mW
Operating Temperature	T _{opr}	-20~+75	°C
Storage Temperature	T _{stg}	-25~+100	°C

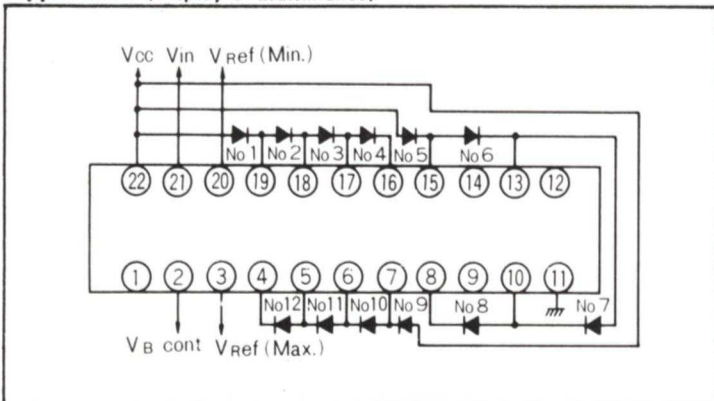
* Ambient temperature: 25°C, Derating factor: 6.5mW/°C

Electrical Characteristics (V_{CC}=12V, T_a=25°C)

Characteristics	Symbol	Min.	Typ.	Max.	Units
Supply Current	I ₂₂	-	5.5	8.2	mA
Input Current*	I ₃	-	0.3	1	μA
	I ₂₀	-			
	I ₂₁	-			
Output Current	I _D	-	10	-	mA

* Condition: V₃-V₂₀<2V

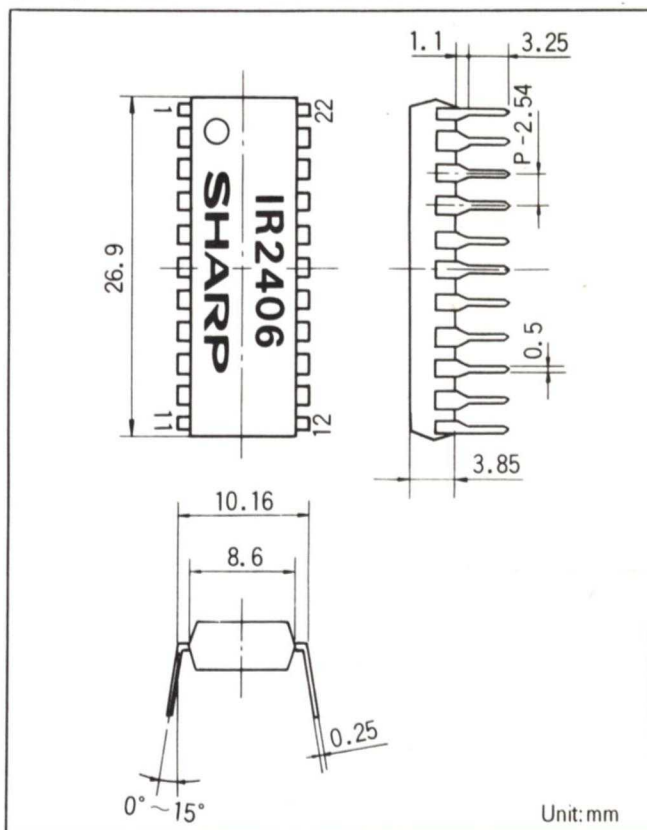
Application (Display of Illuminance)



$$\Delta V_{in} = \{V_{ref}(\text{Max.}) - V_{ref}(\text{Min.})\} / 13$$

ΔV_{in}: Voltage to light a LED by turns.

Package Dimensions



Pin Configuration

Pin No.	Function	Pin No.	Function
1	N C	22	V _{CC}
2	V _B cont.	21	V _{in}
3	V _{ref} max.	20	V _{ref} min.
4	Output 12	19	Output 1
5	Output 11	18	Output 2
6	Output 10	17	Output 3
7	Output 9	16	Output 4
8	Output 8	15	Output 5
9	N C	14	N C
10	Output 7	13	Output 6
11	GND	12	N C

OEM PRICING

LED Array and Driver	1-24	25 up	100 up	1000 up
GL-112R3	\$6.00	\$4.90	\$4.00	\$3.60
IR-2406	\$5.40	\$4.50	\$3.60	\$3.20

Sockets	1-24	25 up	100 up	1000 up
A20STL-T	.71	.67	.58	.49
A22ZT	.33	.32	.30	.27

If You Didn't Get This From My Site,
Then It Was Stolen From...