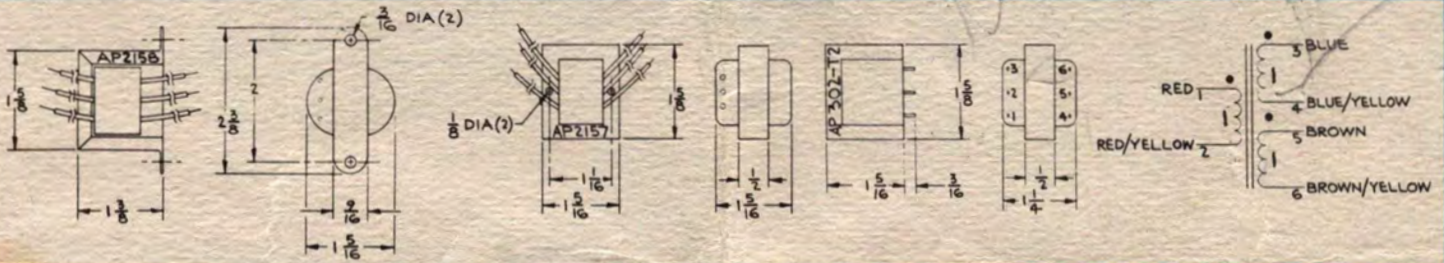


# SYSTEM ENGINEERED AUDIO COMPONENTS



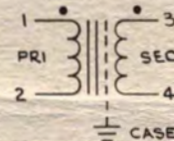
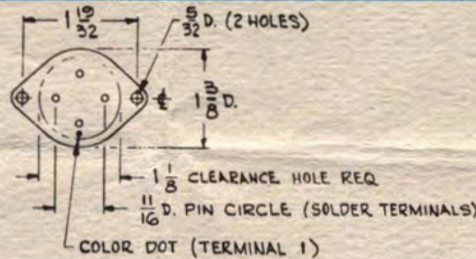
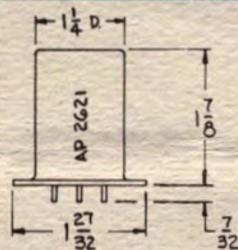
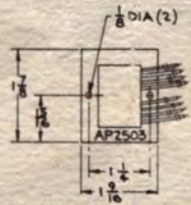
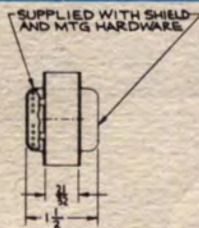
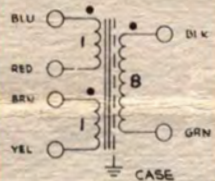
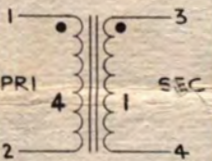
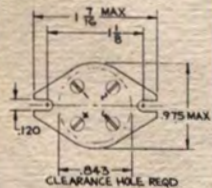
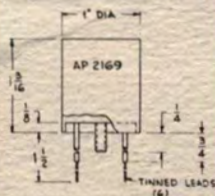
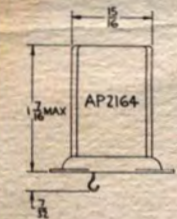
## AUDIO TRANSFORMERS

	AP 2169	AP 2164	AP 2157* AP 2158* AP 302T2*	AP 2503	2621 <del>AP2164</del>
Application	Input (Mic Preamp)	Input (Bridging)	Output (Amplifier to line)	Output (Amplifier to line)	Isolation (Line to Line)
Primary Impedance	150/600 Ω	10,000 Ω	75 Ω	75 Ω	600 Ω**
Secondary Impedance	10,000 Ω	600 Ω	75 Ω(1:1)† 300 Ω(1:2)†	75 Ω(1:1)† 300 Ω(1:2)† 600 Ω(1:3)†	600 Ω**
Frequency Response	30 to 20 kHz ±0.5 dB	20 to 30 kHz ±0.3 dB	30 to 20 kHz ±0.5 dB	30 to 20 kHz ±0.5 dB	30 to 30 kHz ± 0.25 dB
Maximum Level	0 dBm	+20 dBm	+30 dBm	+30 dBm	+20 dBm

\*These transformers are electrically identical and differ only in mechanical details.

†Minimum load impedances.

\*\*May be used unterminated to isolate a bridging load.



**AUTOMATED PROCESSES, INC.**  
35 CENTRAL DRIVE, FARMINGDALE, NEW YORK 11735 • 516-694-9212

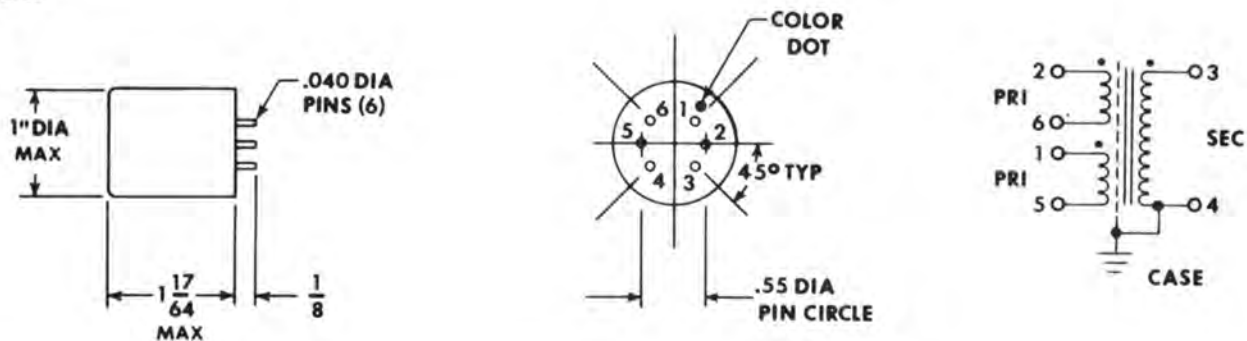


If You Didn't Get This From My Site,  
Then It Was Stolen From...

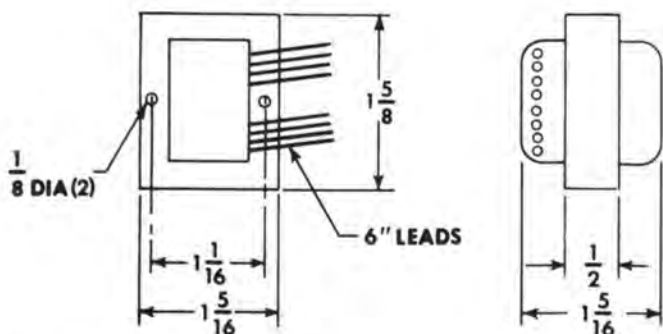
www.SteamPoweredRadio.Com



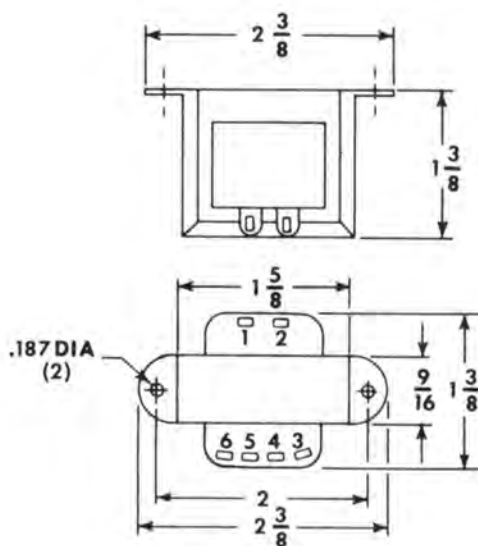
# AP2622



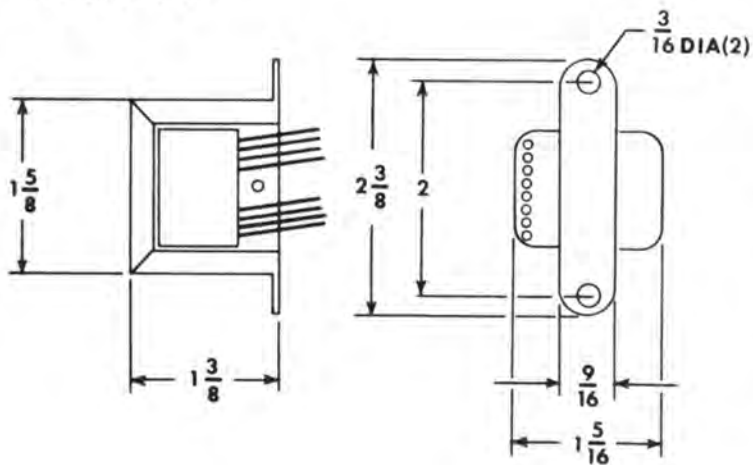
# AP2623-1



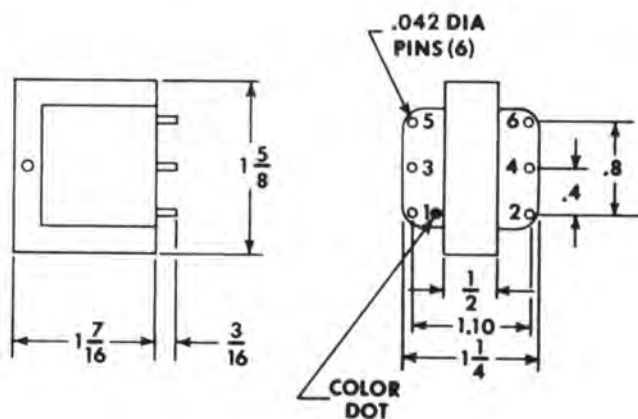
# AP2623-3



# AP2623-2



# AP2623-4



# AP2623

