

---

TECHNICAL MANUAL  
FOR  
MODEL 844  
FM MODULATION AND  
STEREO MONITOR



P/N 5004-0844 Rev C

October 16, 1985

Equipment Serial No. \_\_\_\_\_

Shipping Date \_\_\_\_\_

TECHNICAL MANUAL  
FOR  
MODEL 844  
FM MODULATION AND  
STEREO MONITOR



T F T Inc.  
3090 Oakmead Village Drive  
Santa Clara, CA 95051  
(408) 727-7272 TWX 910-338-0584

## TABLE OF CONTENTS

SECTION 1	GENERAL INFORMATION	
	1.1 General Description . . . . .	3
	1.2 Specifications . . . . .	3
	1.3 Accessory Equipment . . . . .	5
	1.3.1 Model 730A SCA Monitor . . . . .	5
	1.3.2 Model 804 Remote Metering Panel . . . . .	6
	1.4 Warranty . . . . .	6
	1.5 Claim for damage in Shipment . . . . .	6
SECTION 2	INSTALLATION	
	2.1 Unpacking and Inspection . . . . .	7
	2.2 Power Requirements . . . . .	7
	2.3 Installation and Connections . . . . .	7
	2.4 Connection of Accessory Equipment . . . . .	7
	2.4.1 Connection of Model 730A SCA Monitor . . . . .	8
	2.4.2 Connection of Model 804 Remote Metering Panel . . . . .	8
	2.5 Field Installation of Options . . . . .	8
SECTION 3	OPERATION	
	3.1 General . . . . .	9
	3.2 Turn-On and Warm-Up . . . . .	9
	3.3 Controls, Connectors and Indicators . . . . .	9
	3.3.1 Model 844 Front Panel . . . . .	9
	3.3.2 Model 844 Rear Panel . . . . .	12
	3.4 Calibration . . . . .	13
	3.4.1 Meter Calibration . . . . .	14
	3.4.2 Peak Modulation Calibration . . . . .	14
	3.5 Measurements . . . . .	14
	3.5.1 Main Channel Modulation (L + R) . . . . .	14
	3.5.2 Stereo Subchannel Modulation (L - R) . . . . .	14
	3.5.3 Pilot Carrier Modulation . . . . .	15
	3.5.4 38 KHz Subcarrier Suppression . . . . .	15
	3.5.5 Stereo Separation . . . . .	15
	3.5.5.1 Stereo Channel Separation (Left Channel Modulated) . . . . .	15
	3.5.5.2 Stereo Channel Separation (Right Channel Modulated) . . . . .	16
	3.5.6 Main Channel to Subcarrier Crosstalk . . . . .	16
	3.5.7 Subcarrier to Main Channel Crosstalk . . . . .	16
	3.5.8 FM Noise . . . . .	17
	3.5.9 Distortion . . . . .	17
	3.5.10 Pilot Frequency . . . . .	17
	3.5.11 Peak Modulation . . . . .	18
	3.5.12 Incidental And Residual AM . . . . .	18
	3.5.13 Multipath Noise . . . . .	18
	3.6 Absence of Modulation Alarm (Optional) . . . . .	19
	3.7 Carrier Failure Alarm (Optional) . . . . .	19
	3.8 Use of Remote Metering Panel. Model 804 . . . . .	19

## SECTION 1

### GENERAL INFORMATION

#### 1.1 General Description

The TFT Model 844 FM Modulation stereo monitor provides both on-the-air and off-the-air monitoring of FM broadcast stations operating in the frequency range of 88 to 108 MHz.

The three meter format allows stereo measurements while monitoring total modulation, Left and Right channels. Push button switches allow monitoring of the following functions on the LEFT/TEST Meter: left Channel, Right Channel, 38 kHz, 19 kHz pilot, L+R, L-R, Total modulation, AM noise, and multipath.

Front panel indicators show when a preset modulation percentage is exceeded on either positive or negative peaks.

Front panel controls allow the monitoring of two different frequencies without resetting.

Absence of modulation and carrier failure alarms are available as options.

#### 1.2 Specifications

##### **RF SECTION**

Frequency range . . . . .	88-108 MHz, tunable in 50 KHz steps
On-site RF input voltage . . . . .	1 to 10 volts rms
Antenna input voltage . . . . .	250 uV to 100mV
Tuning . . . . .	Two 4-digit switches and a push-button switch for selecting station A or B.
AGC range . . . . .	60 dB
Input impedance, antenna . . . . .	75 ohms
Input connector, antenna . . . . .	Type F

##### **MODULATION METERS, TOTAL**

Deviation for 100% indication . . . . .	+ 75 KHz peak to peak
Meter Range . . . . .	0 to 133% modulation
AC Voltmeter range . . . . .	0 to -50 dB in 10 dB steps
Accuracy (5-KHz tone) . . . . .	+ 2% at all modulation levels
Frequency response . . . . .	$\pm$ 0.1 dB typical, $\pm$ 0.25 dB max from 50 Hz to 120 KHz
Characteristics . . . . .	Quasi-peak reading circuit
Remote output . . . . .	Suitable for driving remote readout meter panels.

### MODULATION METERS, RIGHT

Right channel modulation . . . . Indicates and measures right channel modulation

### MODULATION METER, LEFT/TEST

Left channel modulation . . . . . Indicates and measures left channel Modulation  
Right channel modulation . . . . . Same as right modulation meter  
Main channel . . . . . Same as total modulation meter  
L + R . . . . . + 0.35 dB, 50 Hz to 15 KHz  
L - R . . . . .  $\mp$  0.35 dB, 23 KHz to 53 KHz  
38 KHz level . . . . . Measure down to -60 dB  
Pilot level . . . . . Measure down to -60 dB  
Phase calibration . . . . . For optimization of stereo measurements  
AM noise . . . . . Measures AM noise  
Multipath indicator . . . . . For adjustment of antenna to minimize multipath distortion

### PEAK MODULATION INDICATORS

Deviation for 100% indication . . . + 75 KHz  
Peak level . . . . . Set by a front panel 3-digit thumb-wheel switch in 1% steps from 0% to 199% on both positive and negative peaks  
Accuracy (5-KHz tone) . . . . . + 2% at 100% modulation  
Frequency response . . . . .  $\mp$  2% from 30 Hz to 120 KHz  
Response time accuracy . . . . . Adjustable, 10 cycles of 10 KHz or faster  
Remote flasher output . . . . . Suitable for driving two remote meter panels  
Peak counter . . . . . Registers number of peaks per minute

### MODULATION CALIBRATOR

Built in frequency synthesized calibrator for meter and peak flasher calibration of 100% modulation from the front panel. Accuracy +1%.

### MEASUREMENT OF RESIDUAL AM

Range . . . . . 0 to 70 dB  
Accuracy (at -30dB) . . . . . + 1 dB

### OUTPUTS, FRONT AND REAR PANEL

Main channel output with  
75 sec de-emphasis . . . . . 5 volts rms into 5K ohms at 400 Hz  
\*Signal to noise ratio . . . . . 78 dB at 400 Hz with de-emphasis  
\*Harmonic distortion . . . . . 0.1% max (de-emphasized)  
\*Intermodulation distortion . . . . 0.1% max per SMPTE standard  
\*Frequency response . . . . . +0.25 dB from 30 Hz to 120 KHz composite

\*Balanced audio output level. . . . 0 dBm into 600 ohms.  
 \*Balanced audio frequency response. . . . . +0.5 dB from 30 Hz to 120 KHz  
 SCA output at rear panel . . . . . 1 volt rms into 600 ohms  
 Audio (with de-emphasis)  
 left and right . . . . . 1 V RMS, 600 ohms unbalance at 100% modulation (400 Hz)  
 Audio (without de-emphasis)  
 left and right . . . . . 1 V RMS, 600 ohms unbalanced at 100% modulation.  
 Pilot carrier (19 KHz). . . . . 600 mV RMS, available on front panel  
 Composite . . . . . 5 V RMS, 10K ohms at 100% modulation  
 Remote meter . . . . . For Model 804 remote meter panel  
 Connectors . . . . . BNC  
 Meter output . . . . . Main meter selected signal available on front panel.  
 Carrier-failure alarm, optional . Relay drive output capable of sinking 50 mA to 30 V DC when RF carrier drops below 50% of nominal.  
 Absence of modulation alarm, optional . . . . . An output capable of sinking 50 mA at 30 V DC when composite signal drops below 30% modulation for a period of time between 2 sections and 1 minute, internally adjustable.

**STEREO SEPARATION AND CROSSTALK**

Separation L-to-R and R-to-L. . . . 60 dB typical, 55 dB minimum, 50 Hz to 15 KHz  
 Crosstalk (L+R) to (L-R) or (L-R) to (L+R) . . . . . 65 dB min  
 Crosstalk SCA to (L+R) or SCA to (L-R) . . . . . 70 dB min  
 Pilot carrier measurement level accuracy . . . . . +0.5% from 6% to 12% injection

**MECHANICAL AND ENVIRONMENTAL**

Input power . . . . . 117/230 +10% VAC, 50 to 400 Hz, 40 watts max  
 Operating temperature . . . . . 0°C to 50°C (32°F to 122°F)  
 Size . . . . . 7" (17.78cm) high x 19" (48.26cm) wide x 15" (38.10cm) deep  
 Net Weight . . . . . Approximately 18.5 pounds (8.4 Kg)  
 Shipping weight . . . . . Approximately 22.5 pounds (10.2Kg)

1.3 Accessory Equipment

1.3.1 Model 730A SCA Monitor

The Model 730A enables FM stations broadcasting SCA information on the carrier to meet all FCC SCA requirements. The model 844 provides a composite input to the model 730A.

1.3.2                    Model 804 Remote Metering Panel

The Model 804 duplicates flasher and meter readings and comes with 50 feet of cable (TFT Part No. 51160-0804)

1.4                      Warranty

TIME & FREQUENCY TECHNOLOGY, INC., warrants each of the instruments of its manufacture to be produced to meet the specifications delivered to the BUYER; and to be free from defects in material and workmanship and will repair or replace, at its expense, for a period of one year from the date of delivery of equipment, any parts which are defective from faulty material or poor workmanship.

Instruments found to be defective during the warranty period shall be returned to the factory with transportation charges prepaid by BUYER. It is with respect to any nonconforming equipment and parts thereof and shall be in lieu of any other remedy available by applicable law. All returns to the factory must be authorized by the SELLER, prior to such returns. Upon examination by the factory, if the instrument is found to be defective, the unit will be repaired and returned to the BUYER, with transportation charges prepaid by SELLER.

Transportation charges for instruments found to be defective within the first thirty (30) days of the warranty period will be paid both ways by the SELLER.

Transportation charges for warranty returns, wherein failure is found not to be the fault of the SELLER, shall be paid both ways by the BUYER.

NO OTHER WARRANTY IS EXPRESSED OR IMPLIED. TFT IS NOT LIABLE FOR CONSEQUENTIAL DAMAGES.

1.5                      Claim for Damage in shipment

Your instrument should be inspected and tested as soon as it is received. The instrument is insured for safe delivery. If the instrument is damaged in any way or fails to operate properly, file a claim with the carrier, or if insured separately, with the insurance company.

WE SINCERELY PLEDGE OUR IMMEDIATE AND FULLEST COOPERATION TO ALL USERS OF OUR PRECISION ELECTRONICS INSTRUMENTS.

PLEASE ADVISE US IF WE CAN ASSIST YOU IN ANY MANNER.

T F T Inc.  
3090 Oakmead Village Drive  
Santa Clara, CA 95051  
(408) 727-7272

SECTION 2  
INSTALLATION

2.1 Unpacking and Inspection

Upon receiving the instrument, inspect the packing box and instrument for signs of possible shipping damage. After installation, operate the instrument in accordance with the procedures of Section 3 of this manual. If the instrument is damaged or fails to operate properly, file a claim with the transportation company, or with the insurance company if insured separately.

2.2 Power Requirements

The model 844 is factory wired to operate, from either a 117 volt or 230 volt source. The line frequency must be between 50 and 400 Hz. Maximum Power required is 40 watts.

2.3 Installation and Connection

(A) Mount the Model 844 in the equipment rack.  
(B) AC Power is applied to rear of the unit through J13. Either 117 VAC or 230 VAC are required for proper operation.

CAUTION

THE CIRCUIT BOARD BELOW THE FUSE IN J13 MUST READ THE VOLTAGE TO BE USED AS PRIMARY POWER. 117 VAC OR 230 VAC. THIS BOARD MAY BE REMOVED AND TURNED FOR PROPER VOLTAGE.

CAUTION

FUSE VALUES DIFFER AT THE VARIOUS OPERATING VOLTAGES AND MUST BE CHANGED WHEN CHANGING INPUT POWER CONNECTION IN J13.

(C) For continuous monitoring, connect FM antenna to low level RF input J11 on monitor rear panel.

(D) For off air (high Level) measurements connect RF high level input (1 to 10 V RMS) to high level RF input J12 on 844 rear panel. Adjust RF input set until green LED on rear panel is on.

NOTE

HIGH LEVEL INPUT REQUIRES PROPER CRYSTAL TO BE INSTALLED IN THE MONITOR

2.4 Connection of Accessory Equipment



2.4.1 Connection of Model 730A SCA Monitor

Connection to Model 730A SCA Monitor is made by taking composite output at J4 (to SCA Monitor) and applying to the Model 730A.

2.4.2 Connection of Model 804 Remote Metering Panel

Connection to Model 804 Remote Metering Panel is made to TB1 on 844 Rear Panel.

2.5 Field Installation of Options

TO BE PUBLISHED.

## SECTION 3

### OPERATION

#### 3.1 General

The Model 844 FM Modulation and Stereo Monitor enables FM station personnel to monitor FM and Stereo Transmissions to comply with FCC rules and regulations. The monitor provides all the test functions required for modulation and stereo proof-of-performance tests. When used with model 730A SCA Monitor SCA proof-of-Performance test may also be made.

Monitor displays the modulation percentage of the selected carrier being monitored. Two front-panel LED's provide a flashing indication when the modulation percentage exceeds a pre set limit on either positive or negative peaks. Right and left channel can be monitored simultaneously or the LEFT/TEST meter can monitor any of the other test functions of the monitor.

#### 3.2 Turn-On and Warm-Up

The monitor contains no On-Off switch, and is on whenever it is plugged into the appropriate power source. Indications of the unit having power on are 1) Meter lights on. 2) One of the two green channel select LED's on. 3) Peaks/Min digital readout on.

#### 3.3 Controls, connectors and Indicators

##### 3.3.1 Model 844 Front Panel (See Fig. 3-1)

<u>Ref. No.</u>	<u>Name</u>	<u>Function</u>
1.	TOTAL MODULATION meter	Indicates modulation percentage of carrier being monitored.
2.	"-" PEAKS lamp	"-" peaks lamp shows whenever the negative modulation peaks exceed the percentage which the thumb-wheel switch has been set.
3.	PEAK CALI adjust	Calibrate the "-" and "+" peak lamps on point.

- |     |                          |  |
|-----|--------------------------|--|
| 4.  | "+" PEAK lamp            | "+" peak lamp shows whenever the positive modulation peaks exceed the percentage which the thumbwheel switches has been set.   |
| 5.  | Thumbwheel switches      | Sets the percent of modulation at which the "+" and "-" peak lamps on point.   |
| 6.  | PEAK/MIN counter         | Counts the number of times the peak lamps on over a given period.  |
| 7.  | LEFT/TEST meter          | Indicates the function switched in by the LEFT/TEST METER function switches. Input to this meter is always applied through a selected attenuator. Measurements can be made down to 70 dB below 100%.   |
| 8.  | RIGHT Channel meter      | Indicates right channel modulation independent of selected function switch position.   |
| 9.  | RIGHT OUTPUT jack        | Right channel signal supplied to front panel BNC jack.   |
| 10. | LEFT/TEST OUTPUT jack    | Signal selected by LEFT/TEST METER function switches is supplied to front panel BNC jack.  |
| 11. | STEREO PILOT lamp        | Lights when 19 KHz pilot signal is present.  |
| 12. | LEFT/TEST METER function | <p>Selects the function and attenuation to be indicated on the LEFT/TEST METER up to four switches may be in uses at a time.</p> <p>1) "+" or "-" select positive or negative modulation peaks.</p> <p>2) Deemph switches in the deemphasis circuit.</p> |

- 3) Attenuation switches from 0db to -50 (100% to .3%) inserts the attenuation marked resulting in the algebraic sum of signal and attenuation.
- 4) Signal select provides the selected signal to the meter.
13. METER CAL adjust  
Used to calibrate the all three meters to 100% modulation.
14. PHASE CAL adjust  
When the phase cal switch is depressed the phase cal control can be adjusted for a null on the LEFT/TEST meter. To indicate that the internal 38 KHz signal is in phase with the 19 KHz pilot signal. This insures that the best channel separation has been attained so that the best stereo measurements can be made.
15. ANT INPUT LEVEL  
Indicates the level of the RF from the antenna on the total modulation meter. (Push to read switch).
16. PEAKS/MIN RESET  
Resets the peaks min counter.
17. CHAN SELECT switch  
Allow selection of one of the two channels selected by the programmable thumbwheel switches.
18. Channel Indicator lights  
Lighted lamp indicates which frequency has been selected. Read thumbwheel switches.
19. FREQ ADJ  
Control to adjust the frequency of the 9.80 KHz oscillator circuit.
20. FREQ COUNTER  
Selects from 3 frequencies which can be supplied to the freq. counter BNC on front panel: 1) 900 KHz, 2) 9.80 KHz and 3) 19.0 KHz.

- 21.       FREQ. COUNTER jack                    BNC connector supplies selected frequency for connection to a frequency counter.
- 22.       Thumbwheel switches                The two rows of thumbwheel switches allow of two channels.

3.3.2                    Model 844 Rear Panel   (See Fig. 3-2)

<u>Ref. No.</u>	<u>Name</u>	<u>Function</u>
23.	RF INPUT-LOW LEVEL jack	Used to connect an antenna input with signal level between 10 and 100 MV (75 ohm)
24.	HI LEVEL RF INPUT SET Lamp	Lamp indicates when the high level RF input level has properly been adjusted.
25.	RF INPUT-HIGH LEVEL jack	Used to connect signal input with level between 1 Volt to 10 Volts. (50 ohms)
26.	HIGH LEVEL RF INPUT SET control	Control adjusts attenuation to the high level RF input for proper operating level.
27.	FUSE and AC VOLTAGE SET	Fuse holder and terminal board which allows setting of AC input voltage to 120 VAC or 240 VAC.
28.	AC POWER CORD CONNECTOR	Connect 120 VAC or 240 AVC to monitor.
29.	High level operating frequency	Shows the RF input - high level preset frequency (To change this frequency, a internal crystal must be replaced for high level input only).
30.	COMPOSITE jack	Allows connection of the composite signal to external monitoring.
31.	To SCA Monitor jack	Provides composite output to drive a model 730A SCA monitor.

- |     |                                  |   |
|-----|----------------------------------|---|
| 32. | MAIN CH. DE-EMPHASIS             | Provides composite output which has been passed through a 75 $\mu$ s de-emphasis network for external monitoring. |
| 33. | 75us DE-EMPH Switch              | Allows the 75us DE-EMPHASIS circuit to be switched into the LEFT and RIGHT channel demodulated output.            |
| 34. | RIGHT AND LEFT output, TB3       | Provides demodulated left and right channel information.  |
| 35. | Composite and alarm outputs, TB2 | Provides a balanced composite out signal and the outputs for the optional alarm circuits.                         |
| 36. | Remote meter outputs, TB1        | Provides flasher and metering data for the Model 804 Remote Metering Panel.                                       |
| 37. | EXT COMPOSITE IN Jack            | Provides metering capabilities for monitoring an external composite signal (8Vpp)                                 |
| 38. | Composite level Control          | Adjust the Level of the EXT Composite Input.  |
| 39. | Composite Select Switch          | Select internal External Composite Signal to be applied to the metering circuits.                                 |

### 3.4 Calibration

Calibration of the meter circuits and peak detector are the only calibration required for the model 844.

### 3.4.1 Meter Calibration

- Set up:
- 1) Meter Cal Button in
  - 2) De Emph Button out
  - 3) Odb/100% Button in
  - 4) Total Mod Button in

Adjust Meter Cal Control for 100% or Odb on the LEFT/TEST meter.

### 3.4.2 Peak Modulation Calibration

- 1) Set Meter Cal Push Button Switch to the in position.
- 2) Set % peak to 100.
- 3) Set peak duration to 0.
- 4) Adjust Peak Cal Control until "+" and "-" lights are on and peaks/min is in the constant count mode.
- 5) Set % peak to 101.
- 6) Press the PEAKS/MIN RESET Switch.
- 7) If "-" and "+" lights are on and PEAKS/MIN is in the constant count mode, readjust PEAK CAL until light go out and counter stops counting. (A delay of 2 sec. may be encountered.)
- 8) Repeat steps 2 through 7 as required.

### 3.5 Measurements

Set thumbwheel switches to desired frequency and set the "-" or "+" push button in as required.

#### 3.5.1 Main Channel Modulation (L+R)

Press the L+R function switch and the odb/100% attenuation switch. The LEFT/TEST meter will indicate the main channel modulation directly in percent. A fully modulated right or left channel only signal will indicate 45% on the meter. A fully modulated L=R signal will indicate 90% and a fully modulated L=-R signal will indicate 0.

#### 3.5.2 Stereo Subchannel Modulation

Press the L-R function switch and the odb/100% attenuation switch. The LEFT/TEST meter will indicate the stereo subchannel modulation directly in percent. A fully modulated right or left channel only will indicate 45% on the meter. A fully modulated L=-R signal will indicate 90% and a fully modulated modulation L=R signal will indicate 0.

### 3.5.3 Pilot Carrier Modulation

Press the 19KHz function switch and the -20db/10% attenuation switch. The LEFT/TEST meter will indicate the pilot modulation level, with the 100% mark on the meter denoting 10% modulation. Correct pilot modulation level is between 8% and 10%. This measurement can be made in the presence of program modulation.

### 3.5.4 38 KHz Subcarrier Suppression

- a. Apply a modulating between 5 KHz and 15 KHz to the left channel of the transmitter under test, and adjust its level to indicate 90% on the LEFT/TEST meter.
- b. Press the 38 KHz function switch.
- c. With the meter attenuation switches, select an attenuation that provides a usable reading on the LEFT/TEST meter. The 38 KHz subcarrier suppression is then the algebraic sum of the meter reading and the attenuation inserted. For example, a meter reading of -2 dB with the -50 dB meter attenuation switch depressed denotes a 38 KHz subcarrier suppression of 52 dB below 100% modulation.

### 3.5.5 Stereo Separation

#### 3.5.5.1 Stereo Channel Separation (Left Channel Modulated)

- a. Apply a modulating signal between 50 Hz and 15 KHz to the left channel of the transmitter under test and adjust its level to indicate 90% on the LEFT TEST meter.
- b. Press the R function switch.
- c. With the meter attenuation switches, select an attenuation that provides a usable reading on the LEFT/TEST meter.
- d. The channel separation is the algebraic sum of the meter reading and the attenuation inserted, less approximately 1 dB (0.915 dB) to account for the 90% left-channel modulation level. For example, a meter reading of -2 dB with the 1/-40 dB meter attenuation switch depressed denotes a stereo channel separation of 41 dB.



### 3.5.5.2

#### Stereo Channel Separation (Right Channel Modulated)

- a. Press the R function switch.
- b. Press the 100%/0 dB meter attenuation switch.
- c. Apply a modulating signal between 50 Hz and 15 KHz to the right channel of the transmitter under test and adjust its level to indicate 90% on the LEFT/TEST meter.
- d. Press the L function switch.
- e. With the meter attenuation switches, select an attenuation that provides a usable reading on the LEFT/TEST meter.
- f. The channel separation is the algebraic sum of the meter reading and the attenuation inserted, less 1 dB to account for the 90% right-channel modulation level.

### 3.5.6

#### Main Channel to Subchannel Crosstalk

- a. Press the L+R function switch and the 100%/0 dB meter attenuation switch.
- b. Apply an L+R modulating signal to the transmitter under test and adjust the level for a 90% reading on the LEFT/TEST meter.
- c. Press the L-R function switch.
- d. With the meter attenuation switches, select an attenuation that provides a usable reading on the LEFT/TEST meter.
- e. The crosstalk measure is the algebraic sum of the selected attenuation and the meter reading, less 1 dB to account for the 90% modulation setting.

### 3.5.7

#### Subchannel to Main Channel Crosstalk

- a. Press the L-R function switch and the 100%/0 dB meter attenuation switch.
- b. Apply an L-R modulating signal to the transmitter under test and adjust the level for 90% reading on the LEFT/TEST meter.
- c. Press the L+R function switch.

- d. With the meter attenuation switches, select an attenuation that provides a usable reading on the LEFT/TEST meter.
- e. The crosstalk measured is the algebraic sum of the selected attenuation and the meter reading, less 1 dB to account for the 90% modulation setting.

### 3.5.8

#### FM Noise

- a. Apply L+R Modulating signal of the transmitter under test and adjust the level for a 90% reading on the LEFT/TEST meter.
- b. Turn off all transmitter modulation.
- c. Press total modulation switch.
- d. With the meter attenuation switches, select an attenuation that provides a usable reading on the LEFT/TEST meter.
- e. The algebraic sum of the selected attenuation and the meter reading is the FM signal to noise ratio.

----NOTE----

IF A DE-EMPHASIZED READING IS REQUIRED, THE DE-EMPH FUNCTION SWITCH MUST BE DEPRESSED.

### 3.5.9

#### Distortion

- a. Apply a modulating signal to the transmitter channel to be measured.
- b. Connect a distortion analyzer to the appropriate rear panel connector. RIGHT channel connector J4, LEFT channel connector J5, if de-emphasis is desired; or RIGHT channel connector J6, LEFT channel connector J7, if de-emphasis is not required.

### 3.5.10

#### Pilot Frequency

- a. Connect frequency counter to the "FREQ. COUNTER" jack on the monitor front panel.
- b. Place the frequency selector switch to the 19.0 KHz position. The transmitted pilot frequency is counted directly on the counter.

### 3.5.11 Peak Modulation

Peak modulation is directly read on the peak light circuit. Peak modulation can be determined by adjusting the thumbwheel switches so that lights and counter just come on.

### 3.5.12 Incidental and Residual AM

- a. Apply signal of transmitters under test to the RF INPUT HI LEVEL jack.
- b. Adjust HI LEVEL INPUT SET until the SET LED ON lamp lights.
- c. Depress AM NOISE function switch.
- d. With the meter attenuation switches select an attenuation that provides a usable reading on the LEFT/TEST meter.
- e. The algebraic sum of the selected attenuation and the meter reading is the AM noise level.

-----NOTE-----

THE AM NOISE CAN BE READ FROM THE HIGH LEVEL RF INPUT ONLY.

### 3.5.13 Multipath Noise

- a. Depress the MULTIPATH function switch.
- b. With the meter attenuation switches select an attenuation that provides a usable reading on the LEFT/TEST meter.
- c. The algebraic sum of the selected attenuation and the meter reading is the multipath noise level.

-----NOTE-----

MULTIPATH NOISE CAN BE READ FROM THE LOW LEVEL RF INPUT ONLY.

### 3.6 Absence of Modulation Alarm (Optional)

The alarm is triggered when the composite signal drops below 30 percent modulation for a period of time between 2 seconds and 30 seconds. Time is a user adjustment. The output supplied is an open collector circuit that supplies a ground when alarm is present. Output is available on rear panel terminal board.

### 3.7 Carrier Fail Alarm (Optional)

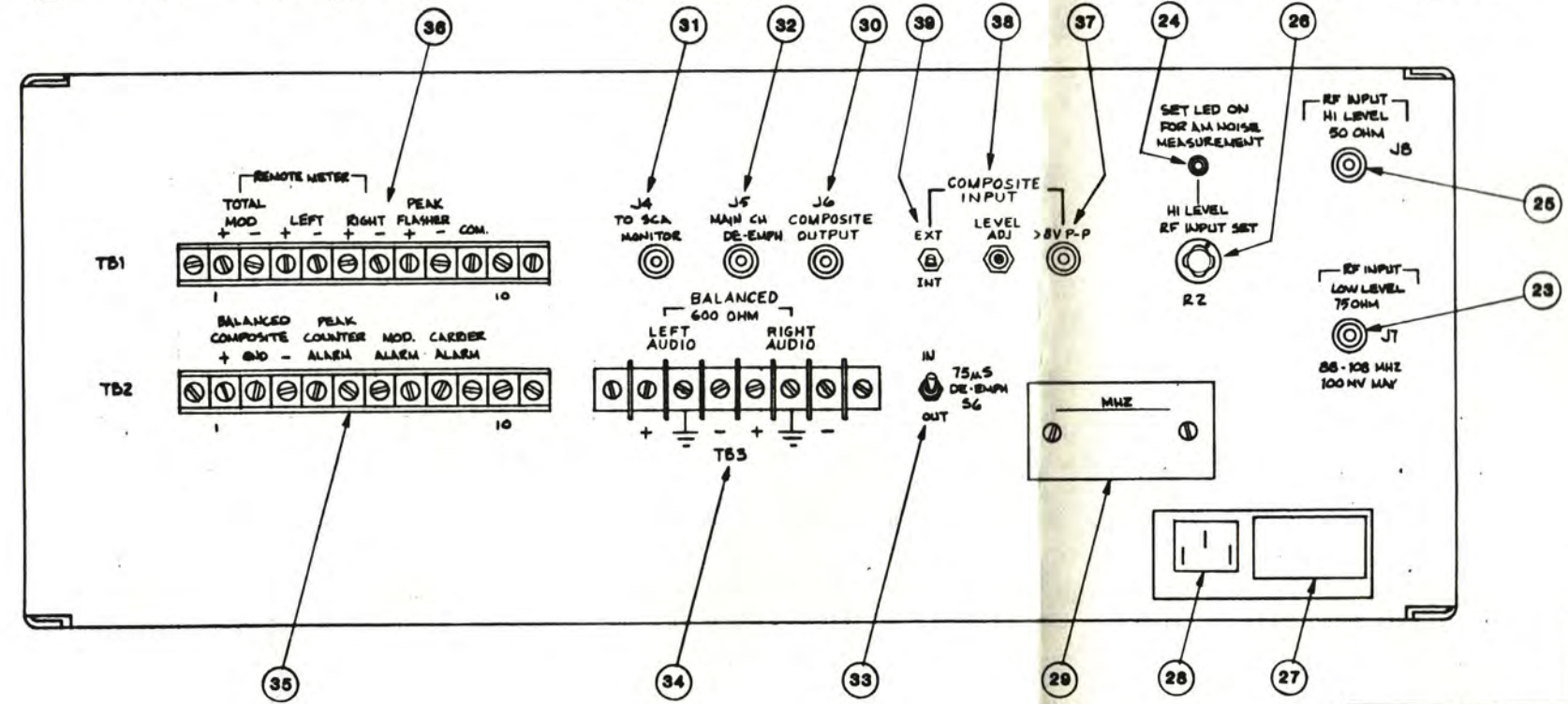
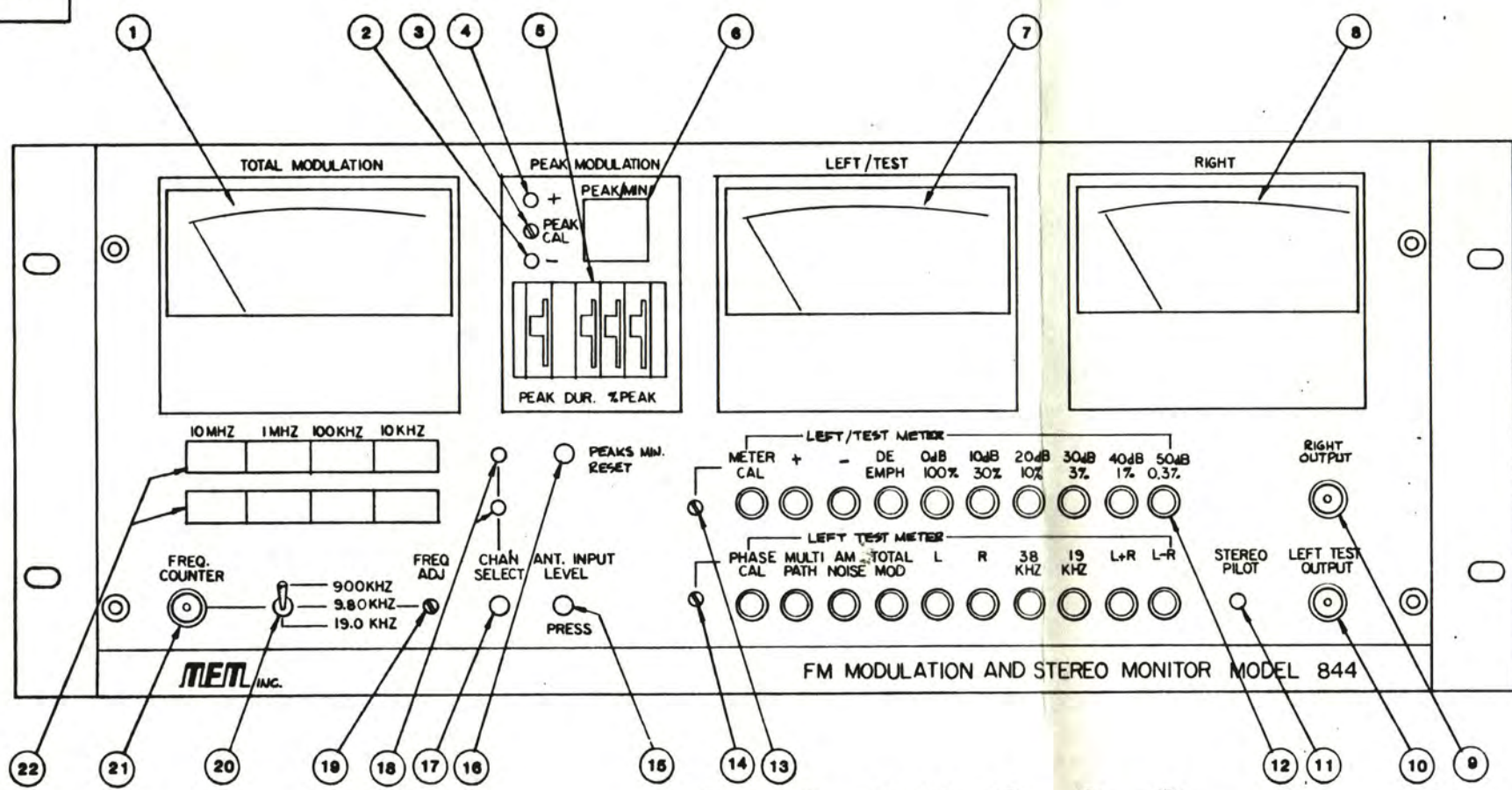
The alarm is triggered when the RF carrier drops below 250 V. The output supplied is an open collector circuit that supplies a ground when the alarm is present. Output is available on TB2 on the rear panel.

### 3.8 Use of Remote Metering Panel. Model 804

The cable supplied with the Remote Metering Panel is connected to a Terminal Board on the monitor rear panel and will duplicate the flasher and meter reading appearing on the monitor.

This document contains proprietary information and is delivered upon the expressed condition that it will not be used directly or indirectly in any way detrimental to the interest of TPT Inc.

REVISIONS				
REV	DESCRIPTION	DR	DATE	APPD
A	RELEASED TO PROD			
B	INFORMATION UPDATE	L	5/14/85	J



SPECIFICATIONS UNLESS OTHERWISE NOTED:  
 ANGULAR = 2  
 DECIMAL =  
 2 PLACE =  
 3 PLACE =  
 BREAK = 0.1000H  
 SURFACE ROUGHNESS = MICROINCHES RMS-MAX.  
 DIAMETERS - CONCENTRIC WITHIN .005 TH.  
 FILLET RADIUS =  
 THREADS - CLASS 2 MARK IN ACCORDANCE WITH TPT SPEC 6300-1064

ITEM	QTY	PART NO.	NOMENCLATURE OR DESCRIPTION
MATERIAL			TPT 3090 OAKMEAD VILLAGE DR. SANTA CLARA, CA. 95051 (408) 727-7272 TWX 910.338-0584
FINISH			FRONT & REAR ILLUSTRATION
DR. BY	RLG	4/4/85	
CR. BY			
ENGR.			
INSP.	EP	4/1/85	
D.A.			

MODEL	B44	500K-0844
APPLICATION		

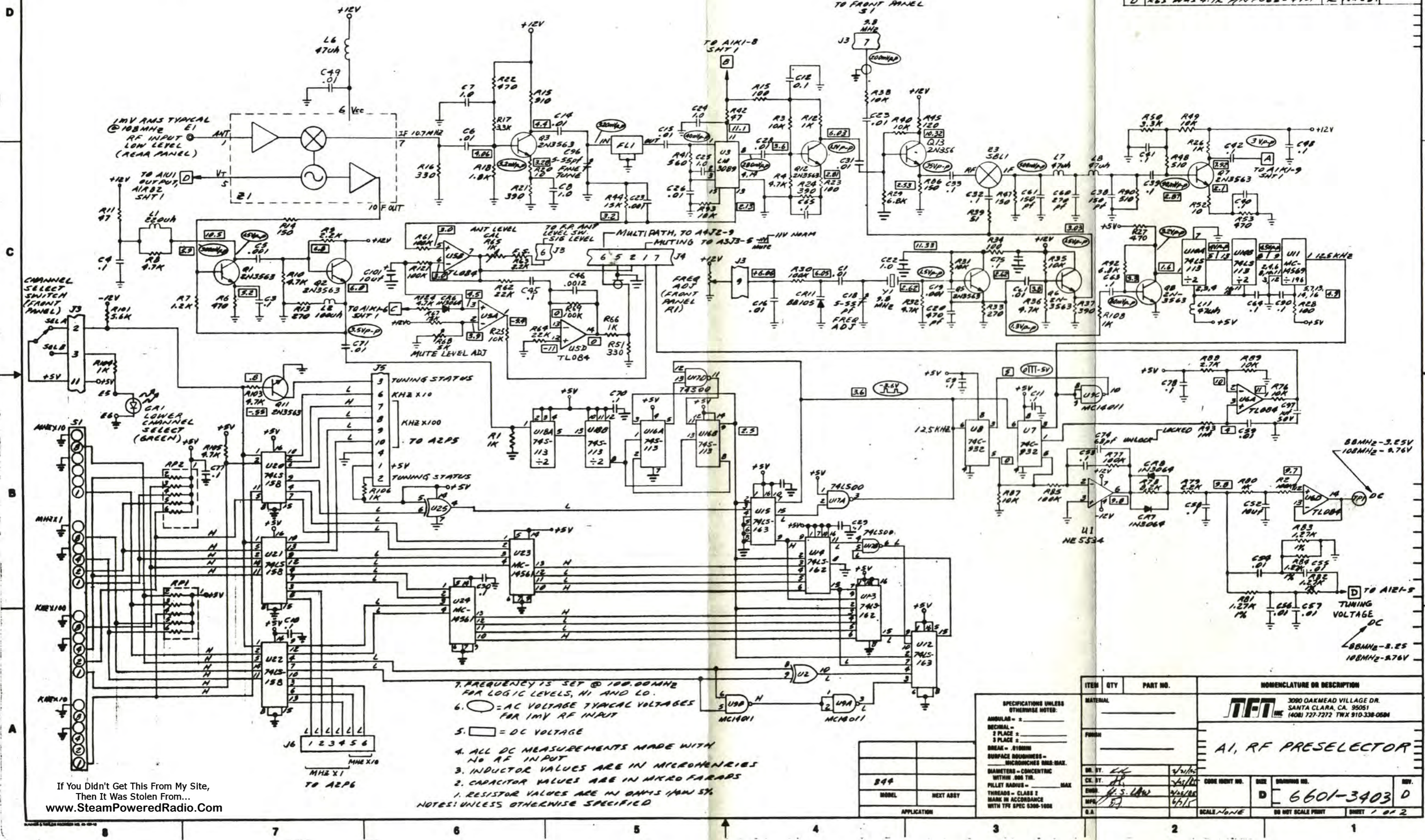
  

CODE IDENT NO.	D	6600-2324	REV. B
SCALE	FULL	DO NOT SCALE PRINT	SHEET 1 OF 1

If You Didn't Get This From My Site, Then It Was Stolen From...  
[www.SteamPoweredRadio.Com](http://www.SteamPoweredRadio.Com)

This document contains proprietary information and is delivered upon the expressed condition that it will not be used directly or indirectly in any way detrimental to the interest of TPT Inc.

REV	DESCRIPTION	DR	DATE	APPD
4	UPDATED & REORAN	KK	2-21-85	
A	RELEASED TO PROD	KL	3-21-85	
B	INFORMATION UPDATE	LC	5-11-85	J. LAW
C	REVISE PER ECO 1692	840	9-27-85	
D	R63 WAS 9.7K R/N 1065-4701	K	12-16-85	



1. CAPACITOR VALUES ARE IN MICROFARADS
  2. CAPACITOR VALUES ARE IN MICROFARADS
  3. INDUCTOR VALUES ARE IN MICROFARADS
  4. ALL DC MEASUREMENTS MADE WITH NO RF INPUT
  5.   = DC VOLTAGE
  6.   = AC VOLTAGE TYPICAL VOLTAGES FOR 1MV RF INPUT
  7. FREQUENCY IS SET @ 100.00MHZ FOR LOGIC LEVELS, HI AND LO.
- NOTES: UNLESS OTHERWISE SPECIFIED

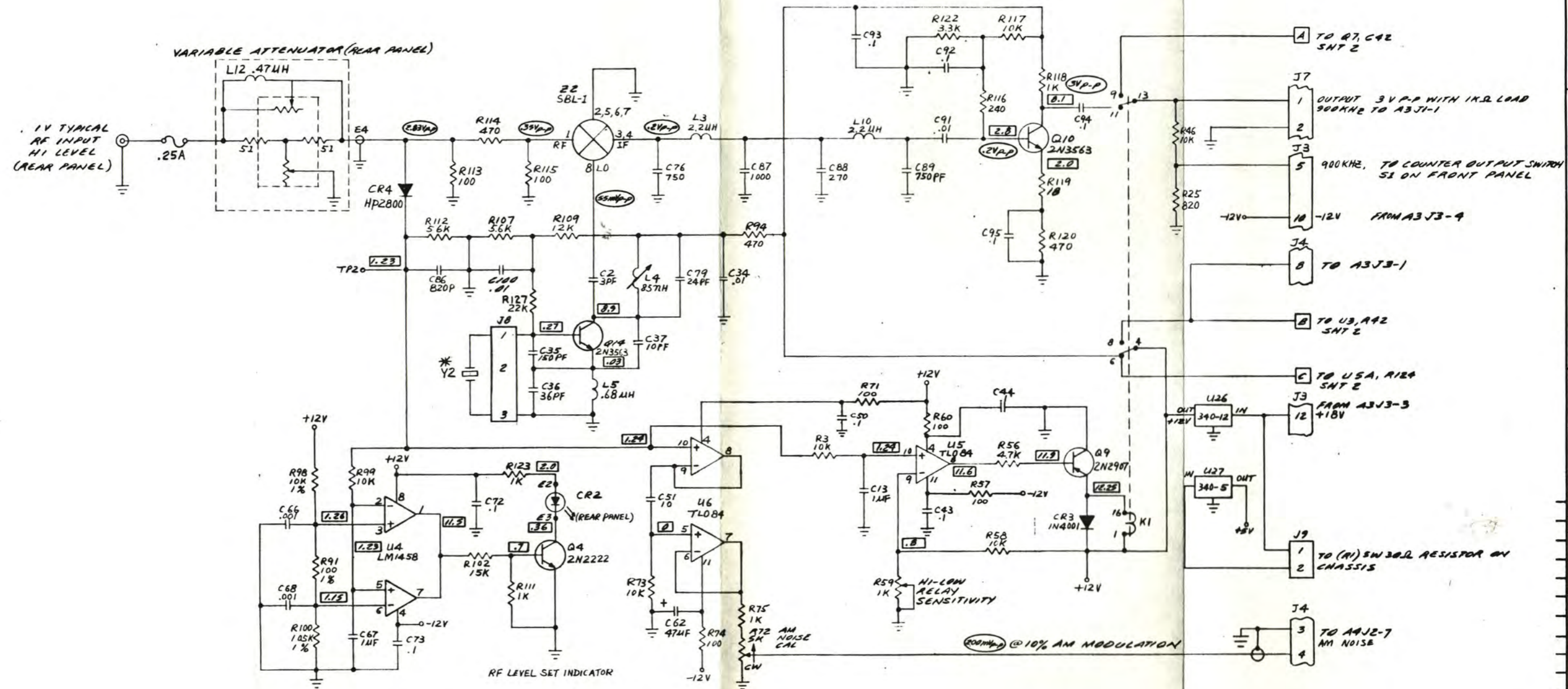
SPECIFICATIONS UNLESS OTHERWISE NOTED:	
ANGULAR -	2
DECIMAL -	2 PLACE ±
3 PLACE ±	
BREAK -	.01000
SURFACE FINISHES -	MECHANICAL DIMS: MAX.
DIAMETERS - CONCENTRIC	WITHIN .005 TH.
PILET RADIUS -	MAX
THREADS -	CLASS 2
MARK IN ACCORDANCE	WITH TFS SPEC 3300-1000

ITEM	QTY	PART NO.	NOMENCLATURE OR DESCRIPTION
<b>TPT</b> 3080 OAKMEAD VILLAGE DR. SANTA CLARA, CA. 95051 (408) 727-7272 TWX 910-338-0504			
<b>AI, RF PRESELECTOR</b>			
DR. BY	KL	2/21/85	CODE IDENT NO.
CK. BY	J. LAW	2/21/85	SIZE
ENGR.	J. LAW	2/21/85	DRAWING NO.
INFO.	KL	6/11/85	D 6601-3403 D
SCALE NONE	DO NOT SCALE PRINT	SHEET 1 OF 2	

If You Didn't Get This From My Site,  
Then It Was Stolen From...  
www.SteamPoweredRadio.Com

This document contains proprietary information and is delivered upon the expressed condition that it will not be used directly or indirectly in any way detrimental to the interest of TPT Inc.

REVISIONS			
REV	DESCRIPTION	DR	DATE
-	SEE SHT 1		



\* CRYSTAL SELECTED UPON CUSTOMERS FREQUENCY

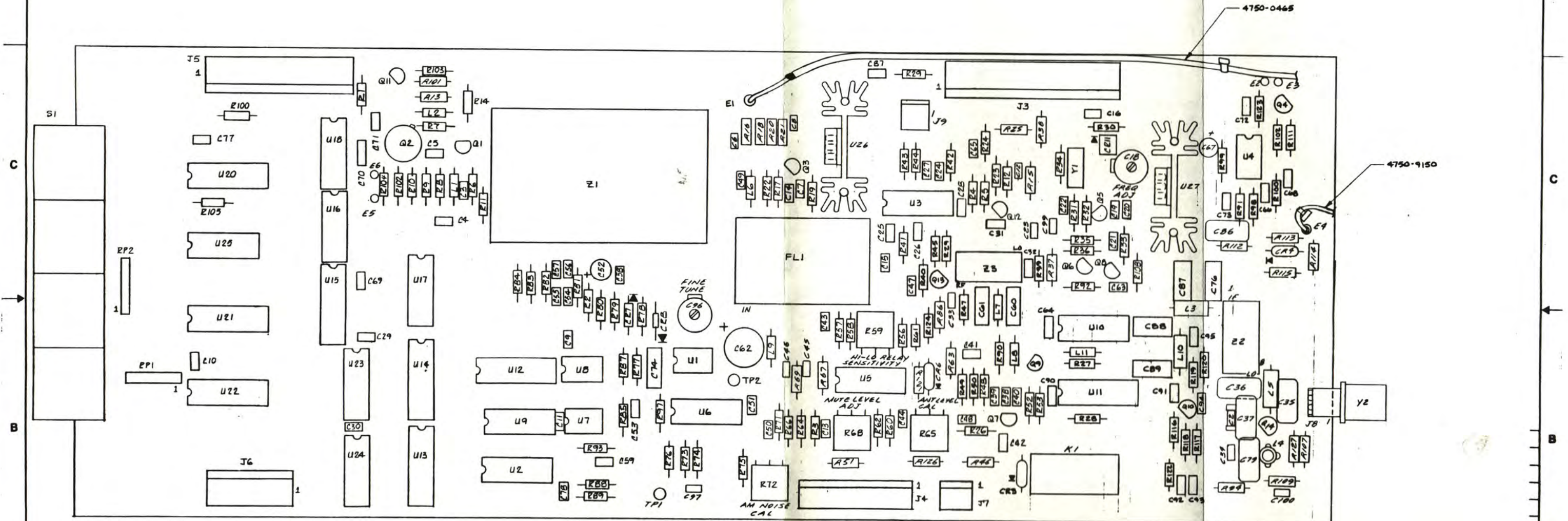
If You Didn't Get This From My Site,  
Then It Was Stolen From...  
www.SteamPoweredRadio.Com

ITEM	QTY	PART NO.	NOMENCLATURE OR DESCRIPTION
			<p><b>ITEM 844</b></p> <p><b>DESCRIPTION: AIR RF PRESELECTOR</b></p> <p>3090 OAKMEAD VILLAGE DR. SANTA CLARA, CA. 95051 (408) 727-7272 TWX 910-338-0684</p>
<p>DR. BY: SL 1-3-75</p> <p>CHK. BY: AL 5-2-75</p> <p>ENGR.:</p> <p>MFR.:</p> <p>D.A.:</p>			<p>CODE IDENT. NO.:</p> <p>SIZE: D</p> <p>DRAWING NO. 6601-3403</p> <p>REV. D</p>
<p>APPLICATION:</p>			<p>SCALE: DO NOT SCALE PRINT</p> <p>SHEET 2 OF 2</p>

This document contains proprietary information and is delivered upon the expressed condition that it will not be used directly or indirectly in any way detrimental to the interests of TPT Inc.

6608-3403

REVISIONS				
REV	DESCRIPTION	DR	DATE	APPD
A	RELEASED TO PROD	KK	4-1-85	
B	REVISED PER ECO 1692	PK	7-27-85	
C	CORRECT DRAWING ERROR	K	12-6-85	



3. FOR PCB SEE 1600-3402 (LATEST REV.)  
 2. FOR SCHEMATIC SEE 6601-3403 (LATEST REV.)  
 1. FOR MATL LIST SEE 6608-3403 (LATEST REV.)  
 NOTES: UNLESS OTHERWISE SPECIFIED

www.SteamPoweredRadio.Com

B44	(-102-3)93
MODEL	NEXT ASSY
APPLICATION	

SPECIFICATIONS UNLESS OTHERWISE NOTED:  
 ANGULAR - ± ---  
 DECIMAL - ± ---  
 2 PLACE ± ---  
 3 PLACE ± ---  
 BREAK - .010MIN  
 SURFACE ROUGHNESS - MICROINCHES RMS: MAX.  
 DIAMETERS - CONCENTRIC WITHIN .005 TH.  
 FILLET RADIUS - MAX.  
 THREADS - CLASS 2 MARK IN ACCORDANCE WITH TPT SPEC 8300-1000

ITEM	QTY	PART NO.	NOMENCLATURE OR DESCRIPTION	
MATERIAL			<b>TPT INC.</b> 3090 OAKMEAD VILLAGE DR. SANTA CLARA, CA. 95051 (408) 727-7272 TWX 910-338-0584	
FINISH				
DR. BY: <i>J. Andria</i> 7-6-84			P.C. BOARD ASSEMBLY - AI RF PRE-SELECTOR	
CK. BY:			CODE IDENT NO.	SIZE
ENGR.			D	DRAWING NO.
MFG. <i>BT</i> 1/2/85			6608-3403 C	
D.A.			SCALE: 1/1	DO NOT SCALE PRINT
			SHEET	1 OF 1



A1 RF PRESELECTOR BDASSY

ASSEMBLY #. 6608-3403

REV.# C

CKT. REF.	DESCRIPTION	TFT PART #
C1	CAP CERAMIC CK05 .01MFD	1015-0002
C2	CAP MICA 3PF	1001-0030
C3	CAP CERAMIC CK05 .1MF	1015-0001
C4	CAP CERAMIC CK05 .1MF	1015-0001
C5	CAP CERAMIC CK05 .001MF	1015-0010
C6	CAP CERAMIC CK05 .01MFD	1015-0002
C7	CAP MINI CERAMIC 1.0MF	1005-0001
C8	CAP MINI CERAMIC 1.0MF	1005-0001
C9	CAP CERAMIC CK05 .1MF	1015-0001
C10	CAP CERAMIC CK05 .1MF	1015-0001
C11	CAP CERAMIC CK05 .1MF	1015-0001
C12	CAP CERAMIC CK05 .1MF	1015-0001
C13	CAP MINI CERAMIC 1.0MF	1005-0001
C14	CAP CERAMIC CK05 .01MFD	1015-0002
C15	CAP CERAMIC CK05 .01MFD	1015-0002
C16	CAP CERAMIC CK05 .01MFD	1015-0002
C17	NOT USED	
C18	CAP VARIABLE 5-55pf	1012-0555
C19	CAP CERAMIC CK05 .001MF	1015-0010
C20	CAP CERAMIC CK05 470pf	1015-0470
C21	CAP CERAMIC CK05 .1MF	1015-0001
C22	CAP MINI CERAMIC 1.0MF	1005-0001
C23	CAP CERAMIC CK05 .01MFD	1015-0002
C24	CAP MINI CERAMIC 1.0MF	1005-0001
C25	CAP MINI CERAMIC 1.0MF	1005-0001
C26	CAP MINI CERAMIC 1.0MF	1005-0001
C27	CAP CERAMIC CK05 .001MF	1015-0010
C28	CAP CERAMIC CK05 .01MFD	1015-0002
C29	CAP CERAMIC CK05 .1MF	1015-0001
C30	CAP CERAMIC CK05 .1MF	1015-0001
C31	CAP CERAMIC CK05 .01MFD	1015-0002
C32	CAP CERAMIC CK05 .1MF	1015-0001
C33	CAP CERAMIC CK05 .1MF	1015-0001
C34	CAP CERAMIC CK05 .01MF	1015-0002
C35	CAP MICA 150PF	1001-0151
C36	CAP MICA 36PF	1001-0360
C37	CAP MICA 10PF	1001-0100
C38	CAP MICA 150pf	1001-0151
C39	CAP CERAMIC CK05 .1MF	1015-0001
C40	CAP CERAMIC CK05 .1MF	1015-0001
C41	CAP CERAMIC CK05 .1MF	1015-0001
C42	CAP CERAMIC CK05 .1MF	1015-0001
C43	CAP CERAMIC CK05 .1MF	1015-0001
C44	CAP CERAMIC CK05 .1MF	1015-0001
C45	CAP CERAMIC CK05 .1MF	1015-0001
C46	CAP CERAMIC CK05 .0012MF	1015-0040
C47	CAP CERAMIC CK05 .01MFD	1015-0002
C48	CAP CERAMIC CK05 .1MF	1015-0001

AI RF PRESELECTOR BDASSY

ASSEMBLY #. 6608-3403

REV.# C

CKT.REF.	DESCRIPTION	TFT PART #
C49	CAP CERAMIC CK05 .01MFD	1015-0002
C50	CAP CERAMIC CK05 .1MF	1015-0001
C51	CAP MINI CERAMIC 1.0MF	1005-0001
C52	CAP ELECT VERT MT 25V 10MF	1010-0099
C53	CAP CERAMIC CK05 .1MF	1015-0001
C54	CAP CERAMIC CK05 .01MFD	1015-0002
C55	CAP CERAMIC CK05 .01MFD	1015-0002
C56	CAP CERAMIC CK05 .01MFD	1015-0002
C57	CAP CERAMIC CK05 .01MFD	1015-0002
C58	CAP CERAMIC CK05 .1MF	1015-0001
C59	CAP CERAMIC CK05 .01MFD	1015-0002
C60	CAP MICA CMO5 270PF	1001-0271
C61	CAP MICA 150pf	1001-0151
C62	CAP ELECT VERT MT 16V 47MF	1010-0049
C63	CAP CERAMIC CK05 .1MF	1015-0001
C64	CAP CERAMIC CK05 .1MF	1015-0001
C65	CAP CERAMIC CK05 .1MF	1015-0001
C66	CAP CERAMIC CK05 .001MF	1015-0010
C67	CAP MINI CERAMIC 1.0MF	1005-0001
C68	CAP CERAMIC CK05 .001MF	1015-0010
C69	CAP CERAMIC CK05 .1MF	1015-0001
C70	CAP CERAMIC CK05 .1MF	1015-0001
C71	CAP CERAMIC CK05 .01MFD	1015-0002
C72	CAP CERAMIC CK05 .1MF	1015-0001
C73	CAP CERAMIC CK05 .1MF	1015-0001
C74	CAP MICA 68pf	1001-0680
C75	CAP CER CK05 .1MF	1015-0001
C76	CAP MICA 750PF	1001-0751
C77	CAP CERAMIC CK05 .1MF	1015-0001
C78	CAP CERAMIC CK05 .1MF	1015-0001
C79	CAP MICA 24PF	1001-0240
C80	CAP CERAMIC CK05 .01MF	1015-0002
C81	NOT USED	
C82	NOT USED	
C83	NOT USED	
C84	NOT USED	
C85	NOT USED	
C86	CAP MICA 820PF	1001-0821
C87	CAP MICA 1000PF	1001-0102
C88	CAP MICA CMO5 270PF	1001-0271
C89	CAP MICA 750PF	1001-0751
C90	CAP CERAMIC CK05 .1MF	1015-0001
C91	CAP CERAMIC CK05 .1MF	1015-0001
C92	CAP CERAMIC CK05 .1MF	1015-0001
C93	CAP CERAMIC CK05 .1MF	1015-0001
C94	CAP CERAMIC CK05 .1MF	1015-0001
C95	CAP CERAMIC CK05 .1MF	1015-0001
C96	CAP VARIABLE 5-55pf	1012-0555

## LIST OF MATERIALS

PAGE 3 OF 7

A1 RF PRESELECTOR BDASSY

ASSEMBLY #. 6608-3403

REV.# C

CKT.REF.	DESCRIPTION	TFT PART #
C97	CAP MINI CERAMIC 1.0MF	1005-0001
C98	NOT USED	
C99	CAP CERAMIC CK05 .1MF	1015-0001
C100	CAP CERAMIC CK05 .01MFD	1015-0002
C101	CAP ELECT 10UF 35V VERT MT	1010-0099
CR1	LED GREEN - LEDCO	1285-4951
CR2	LED GREEN - LEDCO	1285-4951
CR3	DIODE 1N4001	1284-4001
CR4	DIODE HP2800	1282-2800
CR5	NOT USED	
CR6	DIODE 1N3064	1281-3064
CR7	DIODE 1N3064	1281-3064
CR8	DIODE 1N3064	1281-3064
CR9	NOT USED	
CR10	NOT USED	
CR11	DIODE VARICAP BB105G	1290-0105
FL1	IF FILTER 178BBR-3132A 10.7MHZ	1052-0053
HS1	HEAT SINK WAVESOLDERABLE	2010-0637
HS2	HEAT SINK WAVESOLDERABLE	2010-0637
J1	NOT USED	
J2	NOT USED	
J3	CONN MOLEX 12 PIN	2250-6012
J4	CONN MOLEX 8 PIN	2250-6508
J5	CONN MOLEX 10 PIN	2250-6510
J6	CONN MOLEX 6 PIN	2250-6506
J7	CONN MOLEX 2 PIN	2250-6002
J8	CONN CRYSTAL MOLEX 3 PIN	2250-8803
J9	CONN MOLEX 2 PIN	2250-6002
K1	RELAY 12V 2A AT 28V	1880-0022
L1	INDUCTOR 220uH	1530-0220
L2	INDUCTOR 100uH	1531-0101
L3	INDUCTOR 2.2UH	1531-0021
L4	INDUCTOR 85NH	1501-0085
L5	INDUCTOR .68UH	1530-0680
L6	INDUCTOR 47uH	1530-0470
L7	INDUCTOR 47uH	1530-0470
L8	INDUCTOR 47uH	1530-0470
L9	INDUCTOR 47UH	1930-0470
L10	INDUCTOR 2.2UH	1531-0021
L11	INDUCTOR 47uH	1530-0470
L12	INDUCTOR .47UH	1530-0047
PC1	PCB	1600-3403
Q1	TRANSISTOR 2N3563	1271-3563
Q2	TRANSISTOR 2N3563	1271-3563
Q3	TRANSISTOR 2N3563	1271-3563
Q4	TRANSISTOR 2N2222	1271-2222
Q5	TRANSISTOR 2N3563	1271-3563
Q6	TRANSISTOR 2N3563	1271-3563

## LIST OF MATERIALS

PAGE 4 OF 7

A1 RF PRESELECTOR BDASSY

ASSEMBLY #. 6608-3403

REV.# C

CKT.REF.	DESCRIPTION	TFT PART #
Q7	TRANSISTOR 2N3563	1271-3563
Q8	TRANSISTOR 2N3563	1271-3563
Q9	TRANSISTOR 2N2907	1271-2907
Q10	TRANSISTOR 2N3563	1271-3563
Q11	TRANSISTOR 2N3563	1271-3563
Q12	TRANSISTOR 2N3563	1271-3563
Q13	TRANSISTOR 2N3563	1271-3563
Q14	TRANSISTOR 2N3563	1271-3563
R1	RES CAR COMP 1K 1/4W 5%	1065-1001
R2	RES CAR COMP 1/4W 100K 5%	1065-1003
R3	RES CAR COMP 1/4W 10K 5%	1065-1002
R4	RES CAR COMP 1/4W 4.7K 5%	1065-4701
R5	RES CAR COMP 1/4W 10K 5%	1065-1002
R6	RES CAR COMP 1/4W 470 5%	1065-0470
R7	RES CAR COMP 1/4W 1.2K 5%	1065-1201
R8	RES CAR COMP 1/4W 4.7K 5%	1065-4701
R9	RES CAR COMP 1/4W 2.2K 5%	1065-2201
R10	RES CAR COMP 1/4W 4.7K 5%	1065-4701
R11	RES CAR COMP 1/4W 47 5%	1065-0047
R12	RES CAR COMP 1/4W 1K 5%	1065-1001
R13	RES CAR COMP 1/4W 270 5%	1065-0270
R14	RES CAR COMP 1/4W 150 5%	1065-0150
R15	RES CAR COMP 1/4W 100 5%	1065-0100
R16	RES CAR COMP 1/4W 330 5%	1065-0330
R17	RES CAR COMP 1/4W 3.3K 5%	1065-3301
R18	RES CAR COMP 1/4W 1.8K 5%	1065-1801
R19	RES CAR COMP 1/4W 910 5%	1065-0910
R20	RES CAR COMP 1/4W 10 5%	1065-0010
R21	RES CAR COMP 1/4W 390 5%	1065-0390
R22	RES CAR COMP 1/4W 470 5%	1065-0470
R23	RES C.C. 1/4W 100 5%	1065-0100
R24	RES CAR COMP 1/4W 390 5%	1065-0390
R25	RES CAR COMP 1/4W 820 5%	1065-0820
R26	RES CAR COMP 1/4W 1K 5%	1065-1001
R27	RES CAR COMP 1/4W 470 5%	1065-0470
R28	RES CAR COMP 1/4W 100 5%	1065-0100
R29	RES CAR COMP 1/4W 6.8K 5%	1065-6801
R30	RES CAR COMP 1/4W 100K 5%	1065-1003
R31	RES CAR COMP 1/4W 10K 5%	1065-1002
R32	RES CAR COMP 1/4W 4.7K 5%	1065-4701
R33	RES C.C. 1/4W 270 5%	1065-0270
R34	RES CAR COMP 1/4W 100 5%	1065-0100
R35	RES CAR COMP 1/4W 10K 5%	1065-1002
R36	RES CAR COMP 1/4W 4.7K 5%	1065-4701
R37	RES CAR COMP 1/4W 390 5%	1065-0390
R38	RES CAR COMP 1/4W 1K 5%	1065-1001
R39	RES CAR COMP 1/4W 51 5%	1065-0051
R40	RES CAR COMP 1/4W 47K 5%	1065-4702

## LIST OF MATERIALS

PAGE 5 OF 7

A1 RF PRESELECTOR BDASSY

ASSEMBLY #. 6608-3403  
REV.# C

CKT.REF.	DESCRIPTION	TFT PART #
R41	RES CAR COMP 1/4W 560 5%	1065-0560
R42	RES CAR COMP 1/4W 47 5%	1065-0047
R43	RES CAR COMP 1/4W 10K 5%	1065-1002
R44	RES CAR COMP 1/4W 15K 5%	1065-1502
R45	RES CAR COMP 1/4W 120 5%	1065-0120
R46	RES CAR COMP 1/4W 10K 5%	1065-1002
R47	RES CAR COMP 1/4W 150 5%	1065-0150
R48	RES CAR COMP 1/4W 510 5%	1065-0510
R49	RES CAR COMP 1/4W 10K 5%	1065-1002
R50	RES CAR COMP 1/4W 3.3K 5%	1065-3301
R51	RES CAR COMP 1/4W 330 5%	1065-0330
R52	RES CAR COMP 1/4W 10 5%	1065-0010
R53	RES CAR COMP 1/4W 470 5%	1065-0470
R54	NOT USED	
R55	NOT USED	
R56	RES CAR COMP 1/4W 4.7K 5%	1065-4701
R57	RES CAR COMP 1/4W 100 5%	1065-0100
R58	RES CAR COMP 1/4W 10K 5%	1065-1002
R59	RES VARIABLE 1T 1K	1072-1001
R60	RES CAR COMP 1/4W 100 5%	1065-0100
R61	RES CAR COMP 1/4W 100K 5%	1065-1003
R62	RES CAR COMP 1/4W 22K 5%	1065-2202
R63	RES CAR COMP 1/4W 2.2K 5%	1065-2201
R64	RES CAR COMP 1/4W 22K 5%	1065-2202
R65	RES VARIABLE 1T 1K	1072-1001
R66	RES CAR COMP 1/4W 1K 5%	1065-1001
R67	RES CAR COMP 1/4W 15K 5%	1065-1502
R68	RES VARIABLE 1T 5K	1072-5001
R69	RES CAR COMP 1/4W 100K 5%	1065-1003
R70	NOT USED	
R71	RES CAR COMP 1/4W 100 5%	1065-0100
R72	RES VARIABLE 1T 5K	1072-5001
R73	RES CAR COMP 1/4W 10K 5%	1065-1002
R74	NOT USED	
R75	RES CAR COMP 1/4W 1K 5%	1065-1001
R76	RES CAR COMP 1/4W 10K 5%	1065-1002
R77	RES CAR COMP 1/4W 100K 5%	1065-1003
R78	RES CAR COMP 1/4W 8.2K 5%	1065-8201
R79	RES CAR COMP 1/4W 2.2K 5%	1065-2201
R80	RES CAR COMP 1/4W 1K 5%	1065-1001
R81	RES MT FILM 1/8W 1.27K 1%	1061-1271
R82	RES MT FILM 1/8W 1.27K 1%	1061-1271
R83	RES MT FILM 1/8W 1.27K 1%	1061-1271
R84	RES MT FILM 1/8W 1.27K 1%	1061-1271
R85	RESISTOR CAR COMP 1/4W 100K 5%	1065-1003
R86	RES CAR COMP 1/4W 150 5%	1065-0150
R87	RES CAR COMP 1/4W 10K 5%	1065-1002
R88	RES CAR COMP 1/4W 2.7K 5%	1065-2701

## LIST OF MATERIALS

PAGE 6 OF 7

A1 RF PRESELECTOR BDASSY

ASSEMBLY #. 6608-3403

REV.# C

CKT.REF.	DESCRIPTION	TFT PART #
R89	RES M.F. 10K 1% 1/8W	1061-1002
R90	RES CAR COMP 1/4W 510 5%	1065-0510
R91	RES CAR COMP 1/8W 100 1%	1061-0100
R92	RES CAR COMP 1/4W 6.8K 5%	1065-6801
R93	RES CAR COMP 1/4W 1 Meg 5%	1065-1004
R94	RES CAR COMP 1/4W 470 5%	1065-0470
R95	NOT USED	
R96	NOT USED	
R97	NOT USED	
R98	RES MT FLIM 1/8W 10K 1%	1061-1002
R99	RES CAR COMP 1/4W 10K 5%	1065-1002
R100	RES CAR COMP 1/8W 1.05K 1%	1061-1051
R101	RES CAR COMP 1/4W 5.6K 5%	1065-5601
R102	RES CAR COMP 1/4W 15K 5%	1065-1502
R103	RES CAR COMP 1/4W 4.7K 5%	1065-4701
R104	RES CAR COMP 1/4W 1K 5%	1065-1001
R105	RES CAR COMP 1/4W 4.7K 5%	1065-4701
R106	RES CAR COMP 1/4W 1K 5%	1065-1001
R107	RES CAR COMP 1/4W 5.6K 5%	1065-5601
R108	RES CAR COMP 1/4W 1K 5%	1065-1001
R109	RES CAR COMP 1/4W 12K 5%	1065-1202
R110	RES CAR COMP 1/4W 22K 5%	1065-2202
R111	RES CAR COMP 1/4W 1K 5%	1065-1001
R112	RES CAR COMP 1/4W 5.6K 5%	1065-5601
R113	RES CAR COMP 1/4W 100 5%	1065-0100
R114	RES CAR COMP 1/4W 470 5%	1065-0470
R115	RES CAR COMP 1/4W 100 5%	1065-0100
R116	RES CAR COMP 1/4W 240 5%	1065-0240
R117	RES CAR COMP 1/4W 10K 5%	1065-1002
R118	RES CAR COMP 1/4W 1K 5%	1065-1001
R119	RES C.C. 1/4W 18 5%	1065-0018
R120	RES CAR COMP 1/4W 470 5%	1065-0470
R121	RES CAR COMP 1/4W 200K 5%	1065-1003
R122	RES CAR COMP 1/4W 3.3K 5%	1065-3301
R123	RES CAR COMP 1/4W 1K 5%	1065-1001
R124	RES CAR COMP 1/4W 4.7K 5%	1065-4701
R125	RES CAR COMP 1/4W 10K 5%	1065-1002
R126	RES CAR COMP 1/4W 10K 5%	1065-1002
R127	RES CAR COMP 1/4W 22K 5%	1065-2202
RP1	RES NETWORK 47K	1073-4713
RP2	RES NETWORK 47K	1073-4713
S1	SWITCH THUMBWHEEL	1875-0200
U1	IC NE5534	1100-5534
U2	IC 74C86	1102-7486
U3	IC LM3089	1100-3089
U4	IC LM1458	1100-1458
U5	IC TL084	1100-6084
U6	IC TL084	1100-6084
U7	IC 74C932	1102-0932

## LIST OF MATERIALS

PAGE 7 OF 7

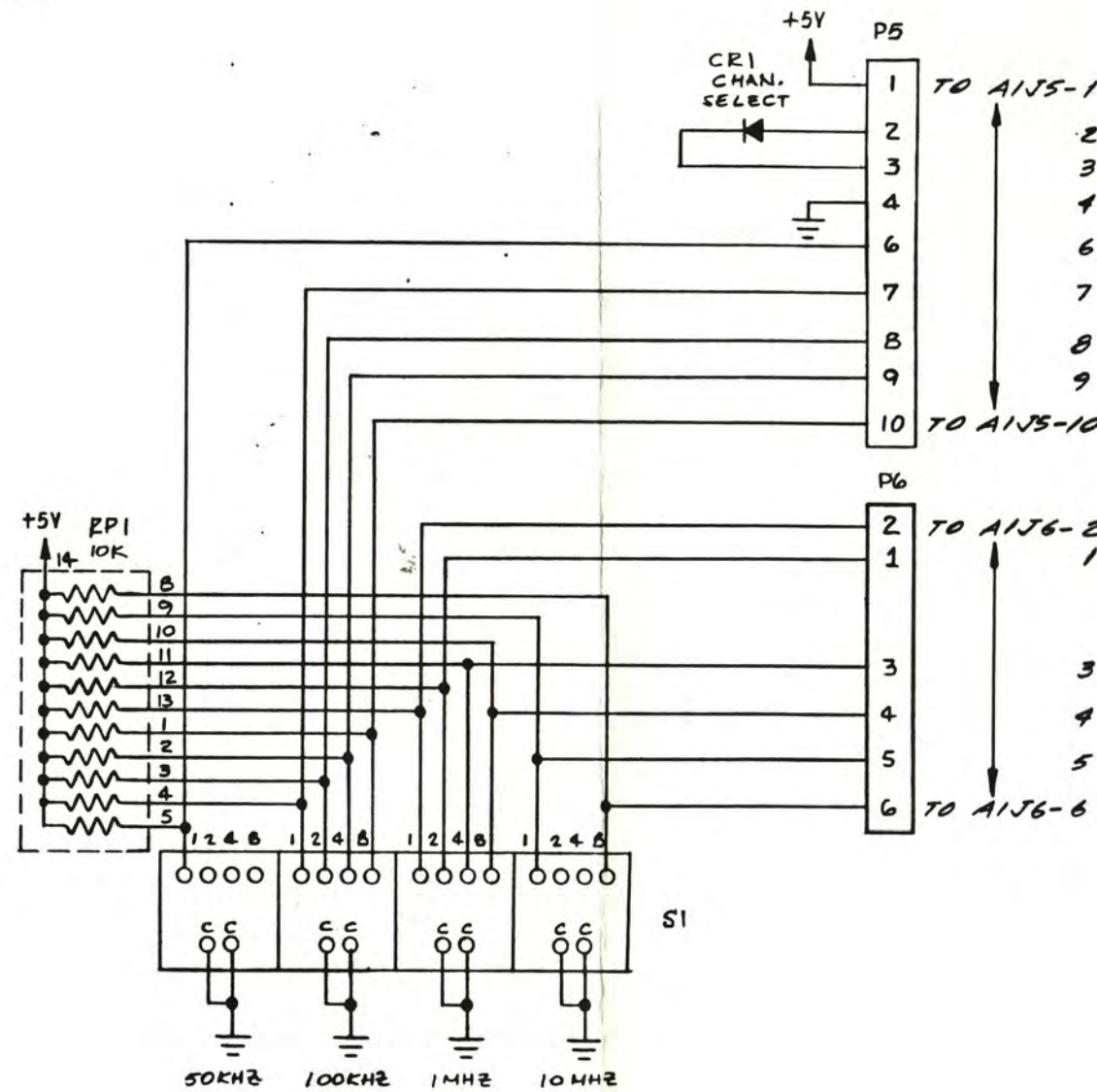
A1 RF PRESELECTOR BDASSY

ASSEMBLY #. 6608-3403  
REV.# C

CKT.REF.	DESCRIPTION	TFT PART #
U8	IC 74C932	1102-0932
U9	IC MC14011	1102-4011
U10	IC 74LS113	1101-0113
U11	IC MC14569	1102-4569
U12	IC 74LS163	1101-0163
U13	IC 74LS162	1101-0162
U14	IC 74LS162	1101-0162
U15	IC 74LS163	1101-0163
U16	IC 74S113	1100-7113
U17	IC 74S00	1104-7400
U18	IC 74S113	1100-7113
U19	NOT USED	
U20	IC 74LS158	1101-0158
U21	IC 74LS158	1101-0158
U22	IC 74LS158	1101-0158
U23	IC MC14561B	1102-4561
U24	IC MC14561B	1102-4561
U25	IC 74C86	1102-7486
U26	IC REGULATOR 7812/LM340T12	1100-0340
U27	IC REGULATOR 7805/LM340T5	1100-7805
U28	NOT USED	
U45	NOT USED	
W1	CABLE COAX RG-188	4750-9150
W2	NOT USED	
XT1	TUBING SHRINK	4800-0316
XT2	TY WRAP	2140-0009
XU1	IC SOCKETS 8 PIN	2250-1008
XU2	IC SOCKETS 14 PIN	2250-1014
XU3	IC SOCKETS 16 PIN	2250-1016
Y1	XTAL 9.8MHZ	2400-0980
Y2	FACTORY SELECT FOR CUSTOMERS F	
Z1	TUNER DAHSEN FD128U14	4500-1812
Z2	MIXER SBL-1	4500-0005
Z3	MIXER SBL-1	4500-0005

This document contains proprietary information and is delivered upon the expressed condition that it will not be used directly or indirectly in any way detrimental to the interest of TFT Inc.

REVISIONS				
REV	DESCRIPTION	DR	DATE	APPD
1	PROD. RELEASE	SA	5-15-84	
2	P6 PINS 1&2 REVERSED	SA	12-6-84	
A	PROD. RELEASE			
B	INFORMATION UPDATE	KK	5/14/85	J. LAW



If You Didn't Get This From My Site,  
Then It Was Stolen From...  
www.SteamPoweredRadio.Com

844	6608-3404
MODEL	NEXT ASSY
APPLICATION	

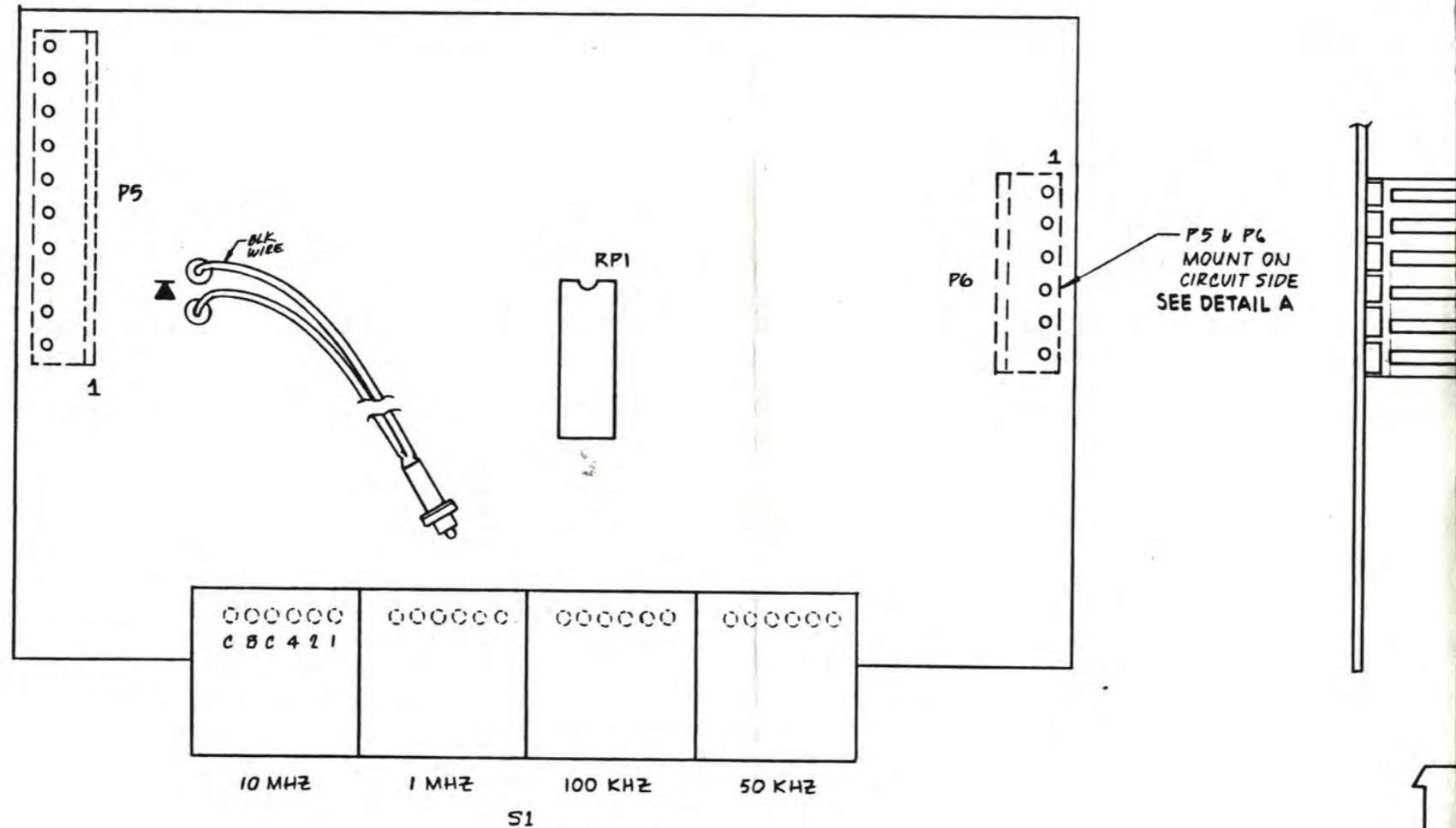
SPECIFICATIONS UNLESS OTHERWISE NOTED:  
 ANGULAR = ± \_\_\_\_\_  
 DECIMAL = \_\_\_\_\_  
 2 PLACE ± \_\_\_\_\_  
 3 PLACE ± \_\_\_\_\_  
 BREAK = .010MIN  
 SURFACE ROUGHNESS = \_\_\_\_\_ MICROINCHES RMS:MAX.  
 DIAMETERS - CONCENTRIC WITHIN .005 TIR.  
 FILLET RADIUS = \_\_\_\_\_ MAX  
 THREADS - CLASS 2 MARK IN ACCORDANCE WITH TFT SPEC 5300-1058

ITEM	QTY	PART NO.	NOMENCLATURE OR DESCRIPTION			
MATERIAL			3090 OAKMEAD VILLAGE DR. SANTA CLARA, CA. 95051 (408) 727-7272 TWX 910-338-0584			
FINISH						
DR. BY <i>Jackie</i> 3/15/84			A2, RF TUNING			
CK. BY <i>...</i> 2-15-84						
ENGR.			CODE IDENT NO.	SIZE	DRAWING NO.	REV.
MFG.				C	6601-3404	B
D.A.			SCALE	DO NOT SCALE PRINT		SHEET 1 OF 1



This document contains proprietary information and is delivered upon the expressed condition that it will not be used directly or indirectly in any way detrimental to the interest of TFT Inc.

REVISIONS				
REV	DESCRIPTION	DR	DATE	APPD
A	PRODUCTION RELEASE	<i>JA</i>	6-12-84	
B	REVISED PER ECO 1687	<i>B. G.</i>	9-26-85	



BEND LEADS  
90° AS SHOWN  
DETAIL A  
SIDE VIEW

- 3. FOR PCB SEE 1600-3404 (LATEST REV.)
  - 2. FOR SCHEMATIC SEE 6601-3404 (LATEST REV.)
  - 1. FOR MATL LIST SEE 6608-3404 (LATEST REV.)
- NOTES: UNLESS OTHERWISE SPECIFIED

www.SteamPoweredRadio.Com

844	
MODEL	NEXT ASSY
APPLICATION	

SPECIFICATIONS UNLESS OTHERWISE NOTED:  
 ANGULAR - ± —  
 DECIMAL - 2 PLACE ± —  
 3 PLACE ± —  
 BREAK - .010MIN  
 SURFACE ROUGHNESS - MICROINCHES RMS: MAX.  
 DIAMETERS - CONCENTRIC WITHIN .005 TIR.  
 FILLET RADIUS - — MAX  
 THREADS - CLASS 3 MARK IN ACCORDANCE WITH TFT SPEC 8300-1088

ITEM	QTY	PART NO.	NOMENCLATURE OR DESCRIPTION			
MATERIAL			3090 OAKMEAD VILLAGE DR. SANTA CLARA, CA. 95051 (408) 727-7272 TWX 910-338-0584			
FINISH						
DR. BY: <i>JA</i> 6-12-84			PCB ASSEMBLY- A2 RF TUNNING			
CK. BY: <i>JA</i>						
ENGR.						
MFG. <i>BT</i> 9/2/85						
D.A.			CODE IDENT NO.	SIZE	DRAWING NO.	REV.
			C	C	6608-3404	B
			SCALE 2/1	DO NOT SCALE PRINT		SHEET 1 OF 1

## LIST OF MATERIALS

PAGE 1 OF 1

A2 RF TUNNING

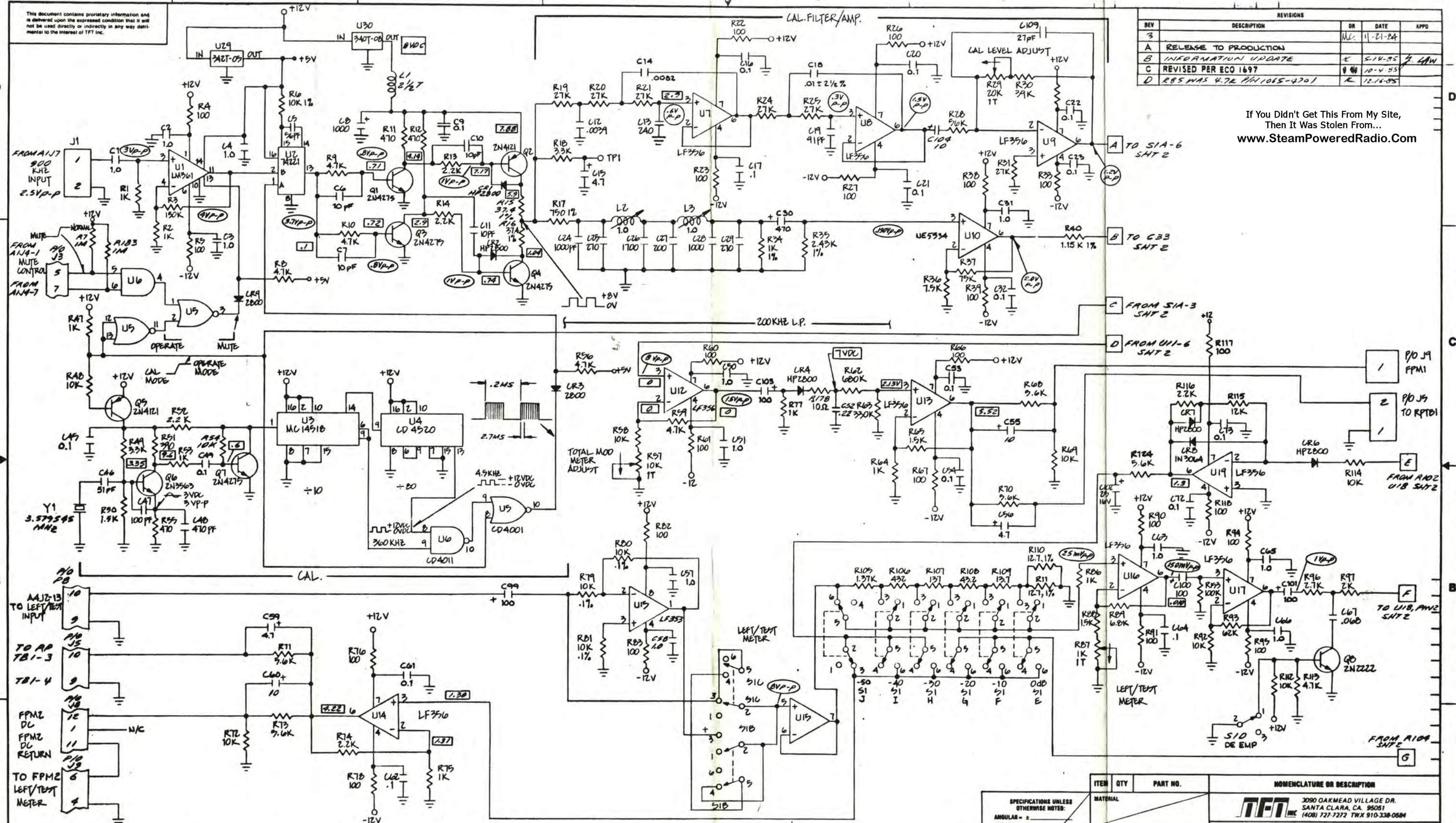
ASSEMBLY #. 6608-3404  
REV.# B

CKT.REF.	DESCRIPTION	TFT PART #
CR1	LED GREEN	1285-4951
P5	CONN 10 PIN MOLEX	2250-5310
P6	CONN 6 PIN MOLEX	2250-5306
PC1	PCB	1600-3404
RP1	RES PACK 10K	1073-0102
S1	SWITCH THUMBWHEEL	1875-0200

This document contains proprietary information and is delivered upon the expressed condition that it will not be used directly or indirectly in any way detrimental to the interest of TFI Inc.

REVISIONS				
REV	DESCRIPTION	DR	DATE	APPD
3				
A	RELEASE TO PRODUCTION	ML	11-21-84	
B	INFORMATION UPDATE	K	5-14-85	J. LAW
C	REVISED PER ECO 1697		10-V-85	
D	RBS WAS 4.7K P111065-4701	K	12-18-85	

If You Didn't Get This From My Site,  
Then It Was Stolen From...  
www.SteamPoweredRadio.Com



NOTES: UNLESS OTHERWISE SPECIFIED:  
 1. RESISTOR VALUES ARE IN OHMS, 1/4 W. 5%.  
 2. CAPACITOR VALUES ARE IN MICROFARADS.  
 3. INDUCTOR VALUES ARE IN MICROHENRIES.  
 4. PCB 1600-3405  
 SCHEMATIC 6601-3405  
 MATL. LIST 6608-3405

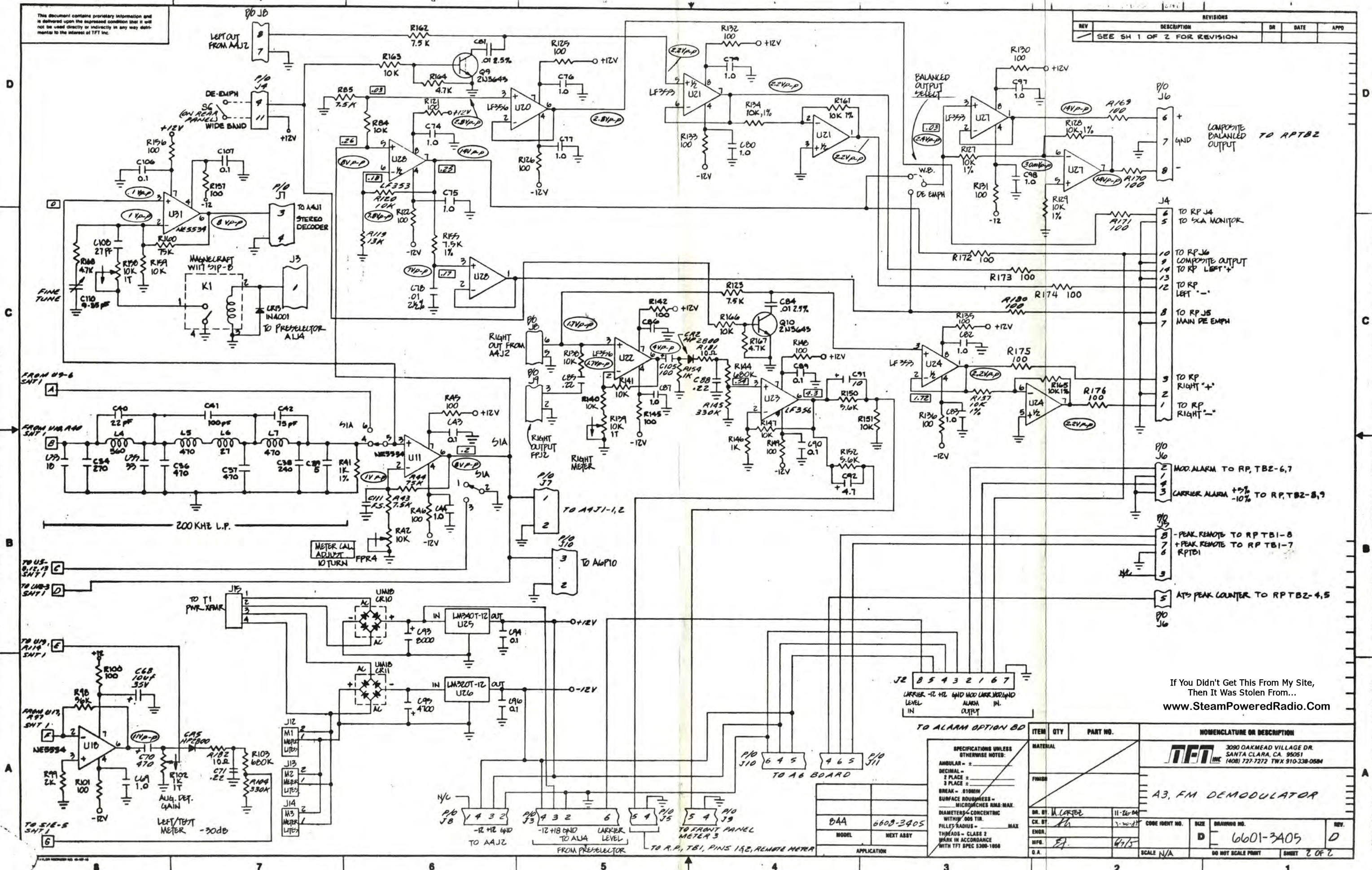
- 5.    = DC VOLTAGE
- 6.    = AC VOLTAGE TYPICAL VOLTAGES FOR 100% MODULATION
- 7.    = CALIBRATE READING TAKEN IN CALIBRATE MODE.

ITEM	QTY	PART NO.	NOMENCLATURE OR DESCRIPTION
MATERIAL			
FINISH			
DR. BY: MARCOY CORTEZ 11-21-84			
CK. BY: JH 1-12-85			
ENGR:			
MFG: JF 6/6			
O.A.:			
BAA 6608-3405		CODE IDENT NO. SIZE DRAWING NO. REV.	
MODEL NEXT ASSY		D 6601-3405 0	
APPLICATION		SCALE N/A DO NOT SCALE PRINT SHEET OF 2	

SPECIFICATIONS UNLESS OTHERWISE NOTED:  
 ANGULAR - ±  
 DECIMAL - 2 PLACE ±  
 3 PLACE ±  
 BREAK - 0.10MM  
 SURFACE ROUGHNESS - MICRONS RMS: MAX.  
 DIAMETERS - CONCENTRIC WITHIN .005 TIR.  
 FILLET RADIUS - MAX  
 THREADS - CLASS 2 BULK IN ACCORDANCE WITH TPI SPEC 5300-1068

This document contains proprietary information and is delivered upon the expressed condition that it will not be used directly or indirectly in any way detrimental to the interest of TFI Inc.

REVISIONS				
REV	DESCRIPTION	DR	DATE	APPD
1	SEE SH 1 OF 2 FOR REVISION			



If You Didn't Get This From My Site,  
Then It Was Stolen From...  
[www.SteamPoweredRadio.Com](http://www.SteamPoweredRadio.Com)

ITEM	QTY	PART NO.	NOMENCLATURE OR DESCRIPTION
MATERIAL			
FINISH			
DR. BY: H. CARLSON 11-20-84			
CK. BY: JH 1-20-85			
ENGR. E.J. 4/75			
MFG. 4/75			
D.A.			
SCALE: N/A			DO NOT SCALE PRINT
SHEET 2 OF 2			

ANGULAR - 2  
DECIMAL - 2  
2 PLACE - 3  
3 PLACE - 3  
BREAK - 87000H  
SURFACE ROUGHNESS -  
MICROINCHES RMS-MAX.  
DIAMETERS CONCENTRIC  
WITHIN .005 TIR.  
FILLET RADIUS - MAX  
THREADS - CLASS 2  
MARK IN ACCORDANCE  
WITH TFI SPEC 5300-1008

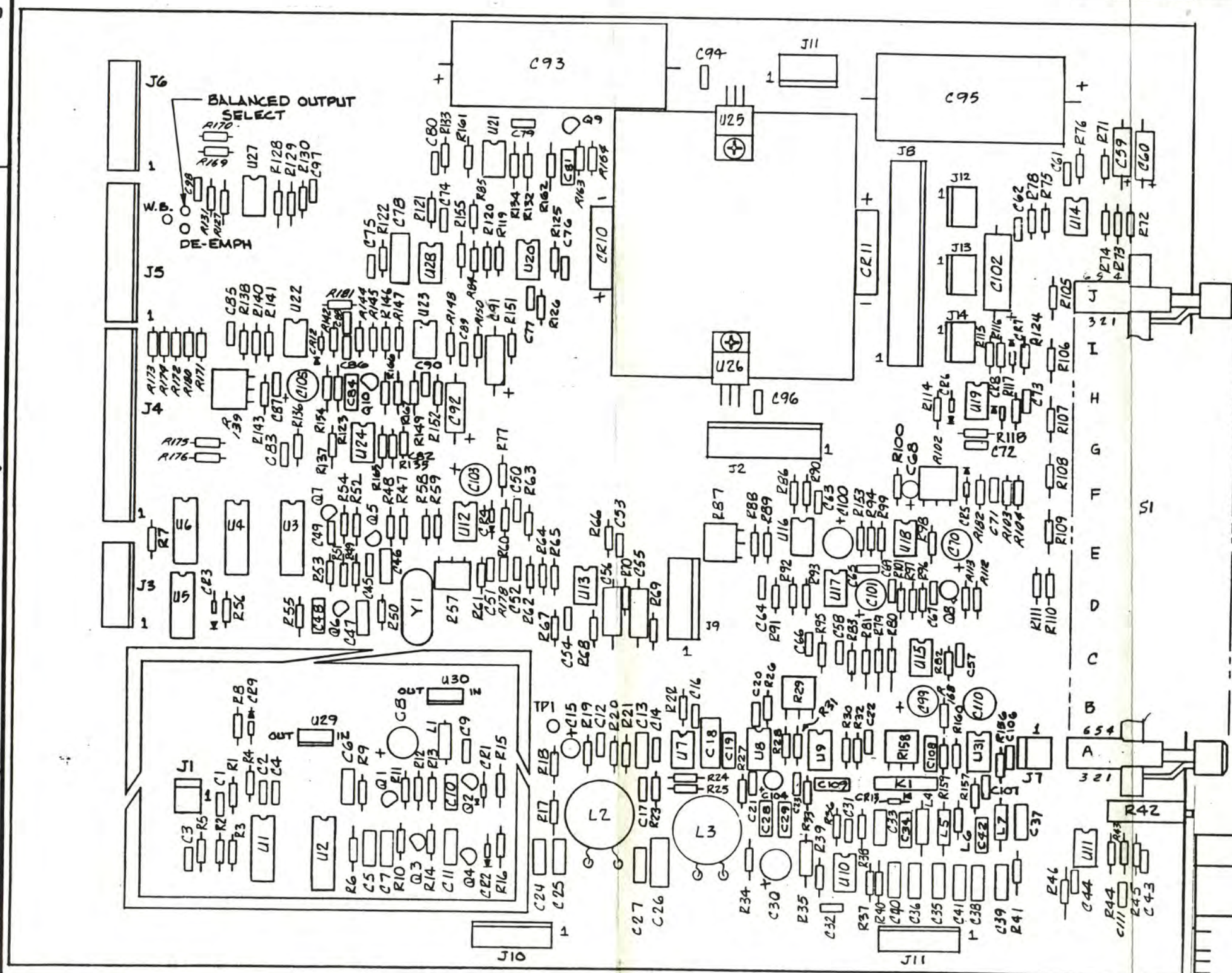
J2 8 5 4 3 2 1 6 7  
CARRIER -12 Hz GND MOD LARK MOD GND  
LEVEL IN ALARM IN.  
OUTPUT

P10 J10 6 4 5 4 6 5 P10 J11  
TO A6 BOARD

BAA 6608-3405  
MODEL NEXT ASSY  
APPLICATION

This document contains proprietary information and is delivered upon the expressed condition that it will not be used directly or indirectly in any way detrimental to the interest of TFT Inc.

REVISIONS				
REV	DESCRIPTION	DR	DATE	APPD
A	RELEASED TO PROD	EA	4-3-85	
B	REVISED PER ECO 1697	K	10-7-85	
C	R85 WAS 4.7K P/N 1065-970/ R105 HAD ERRONEOUS P/N 1061-1371	KL	12/17/85	



NOTES: UNLESS OTHERWISE SPECIFIED  
 1. REF. SCHEMATIC 6601-3405  
 PCB ASSY. P/C 6608-3405  
 PCB FAB 1600-3405

MODEL	5102-3393
NEXT ASSY	
APPLICATION	

DIAMETERS - CONCENTRIC WITHIN .005 TIR.  
 FILLET RADIUS - MAX  
 THREADS - CLASS 2 MARK IN ACCORDANCE WITH TFT SPEC 5300-1058

DN. BY	L. Ruchner	6-12-84
CK. BY		
ENGR.		
MFB.	EF	4/6/85
Q.A.		

www.SteamPoweredRadio.Com

NOMENCLATURE OR DESCRIPTION

**TFT** 3090 OAKMEAD VILLAGE DR.  
 SANTA CLARA, CA. 95051  
 (408) 727-7272 TWX 910-338-0584

**PCB ASSEMBLY-  
 A3 FM DEMODULATOR**

CODE IDENT NO.	SIZE	DRAWING NO.	REV.
	C	6608-3405	C

SCALE FULL DO NOT SCALE PRINT SHEET 1 OF 1

A3 FM DEMODULATOR BD

ASSEMBLY #. 6608-3405  
REV.# C

CKT.REF.	DESCRIPTION	TFT PART #
C1	CAP MINI CER 1MF	1005-0001
C2	CAP MINI CER 1MF	1005-0001
C3	CAP MINI CER 1MF	1005-0001
C4	CAP MINI CER 1MF	1005-0001
C5	CAP MICA 56PF	1001-0560
C6	CAP MICA 10PF	1001-0100
C7	CAP MICA 10PF	1001-0100
C8	CAP ELECT VERT MT 16V 1000MF	1010-0012
C9	CAP CER CK05 .1MF	1015-0001
C10	CAP MICA 10PF	1001-0100
C11	CAP MICA 10PF	1001-0100
C12	CAP CER CK05 .0039MF	1015-0039
C13	CAP MICA 240PF	1001-0241
C14	CAP CER CK05 .0082MF	1015-0082
C15	CAP ELECT VERT MT 10MF	1010-0011
C16	CAP CER CK05 .1MF	1015-0001
C17	CAP CER CK05 .1MF	1015-0001
C18	CAP MET POLY .01MF	1006-0002
C19	CAP MICA 91PF	1001-0910
C20	CAP CER CK05 .1MF	1015-0001
C21	CAP CER CK05 .1MF	1015-0001
C22	CAP CER CK05 .1MF	1015-0001
C23	CAP CER CK05 .1MF	1015-0001
C24	CAP MICA 1000PF	1001-0102
C25	CAP MICA 270PF	1001-0271
C26	CAP MICA 1700PF	1001-0172
C27	CAP MICA 200PF	1001-0201
C28	CAP MICA 1000PF	1001-0102
C29	CAP MICA 270PF	1001-0271
C30	CAP ELECT VERT MT 25V 470MF	1010-0045
C31	CAP MINI CER 1MF	1005-0001
C32	CAP MINI CER 1MF	1005-0001
C33	CAP MICA 18PF	1001-0180
C34	CAP MICA 270PF	1001-0271
C35	CAP MICA 33PF	1001-0330
C36	CAP MICA 470PF	1001-0471
C37	CAP MICA 470PF	1001-0471
C38	CAP MICA 240PF	1001-0241
C39	CAP MICA 5PF	1001-0050
C40	CAP MICA 22PF	1001-0220
C41	CAP MICA 100PF	1001-0101
C42	CAP MICA 75PF	1001-0750
C43	CAP MINI CER 1MF	1005-0001
C44	CAP MINI CER 1MF	1005-0001
C45	CAP CER CK05 .1MF	1015-0001
C46	CAP MICA 51PF	1001-0510
C47	CAP MICA 1000PF	1001-0102
C48	CAP MICA 470PF	1001-0471

A3 FM DEMODULATOR BD

ASSEMBLY #. 6608-3405  
REV.# C

CKT. REF.	DESCRIPTION	TFT PART #
C49	CAP CER CK05 .1MF	1015-0001
C50	CAP MINI CER 1MF	1005-0001
C51	CAP MINI CER 1MF	1005-0001
C52	CAP CER CK06 .22MF	1015-0003
C53	CAP CER CK05 .1MF	1015-0001
C54	CAP CER CK05 .1MF	1015-0001
C55	CAP TAN 35V 10% 10MF	1008-0101
C56	CAP TAN 35V 10% 4.7MF	1008-0047
C57	CAP MINI CER 1MF	1005-0001
C58	CAP MINI CER 1MF	1005-0001
C59	CAP TAN 35V 10% 4.7MF	1008-0047
C60	CAP TAN 35V 10% 10MF	1008-0101
C61	CAP CER CK05 .1MF	1015-0001
C62	CAP CER CK05 .1MF	1015-0001
C63	CAP MINI CER 1MF	1005-0001
C64	CAP MINI CER 1MF	1005-0001
C65	CAP MINI CER 1MF	1005-0001
C66	CAP MINI CER 1MF	1005-0001
C67	CAP CER CK05 .068MF	1015-0013
C68	CAP ELECT 10MFD 35V VERT MT	1010-0099
C69	CAP MINI CER 1MF	1005-0001
C70	CAP ELECT VERT MT 25V 470MF	1010-0045
C71	CAP CER CK06 .22MF	1015-0003
C72	CAP CER CK05 .1MF	1015-0001
C73	CAP CER CK05 .1MF	1015-0001
C74	CAP MINI CER 1MF	1005-0001
C75	CAP MINI CER 1MF	1005-0001
C76	CAP MINI CER 1MF	1005-0001
C77	CAP MINI CER 1MF	1005-0001
C78	CAP MET POLY .01MF	1006-0002
C79	CAP MINI CER 1MF	1005-0001
C80	CAP MINI CER 1MF	1005-0001
C81	CAP MET POLY .01MF	1006-0002
C82	CAP MINI CER 1MF	1005-0001
C83	CAP MINI CER 1MF	1005-0001
C84	CAP MET POLY .01MF	1006-0002
C85	CAP CER CK06 .22MF	1015-0003
C86	CAP MINI CER 1MF	1005-0001
C87	CAP MINI CER 1MF	1005-0001
C88	CAP CER CK06 .22MF	1015-0003
C89	CAP CER CK05 .1MF	1015-0001
C90	CAP CER CK05 .1MF	1015-0001
C91	CAP TAN 35V 10% 10MF	1008-0101
C92	CAP TAN 35V 10% 4.7MF	1008-0047
C93	CAP ELECT 8000MF	1010-8000
C94	CAP CER CK05 .1MF	1015-0001
C95	CAP ELECT 4700MF	1010-0472
C96	CAP CER CK05 .1MF	1015-0001

A3 FM DEMODULATOR BD

ASSEMBLY #.6608-3405  
REV.# C

CKT.REF.	DESCRIPTION	TFT PART #
C97	CAP MINI CER 1MF	1005-0001
C98	CAP MINI CER 1MF	1005-0001
C99	CAP ELECT VERT MT 100MF	1010-0110
C100	CAP ELECT VERT MT 100MF	1010-0110
C101	CAP ELECT VERT MT 100MF	1010-0110
C102	CAP ELECT AXIAL MT 6V 25MF	1010-0250
C103	CAP ELECT VERT MT 100MF	1010-0110
C104	CAP ELECT VERT MT 10MF	1010-0099
C105	CAP ELECT VERT MT 100MF	1010-0110
C106	CAP CER CK05 .1MF	1015-0001
C107	CAP CER CK05 .1MF	1015-0001
C108	CAP MICA 91PF	1001-0910
C109	CAP MICA 27PF	1001-0270
C110	CAP VERB 9-35PF	1012-9035
C111	FACTORY SELECT	
CR1	DIODE HP2800	1282-2800
CR2	DIODE HP2800	1282-2800
CR3	DIODE HP2800	1282-2800
CR4	DIODE HP2800	1282-2800
CR5	DIODE HP2800	1282-2800
CR6	DIODE HP2800	1282-2800
CR7	DIODE HP2800	1282-2800
CR8	DIODE 1N3064	1281-3064
CR9	DIODE HP2800	1282-2800
CR10	DIODE SILICONE RECTIFIER MDA97	1284-9702
CR11	DIODE SILICONE RECTIFIER MDA97	1284-9702
CR12	DIODE HP2800	1282-2800
CR13	DIODE 1N4001	1284-4001
HS1	HEAT SINK	2010-1401
HS11	NOT USED	
J1	CONN MOLEX PLUG 2 PIN	2250-6002
J2	CONN MOLEX PLUG 8 PIN	2250-6508
J3	CONN MOLEX PLUG 7 PIN	2250-6507
J4	CONN MOLEX PLUG 14 PIN	2250-6014
J5	CONN MOLEX PLUG 10 PIN	2250-6510
J6	CONN MOLEX PLUG 8 PIN	2250-6508
J7	CONN MOLEX PLUG 2 PIN	2250-6002
J8	CONN MOLEX PLUG 12 PIN	2250-6012
J9	CONN MOLEX PLUG 6 PIN	2250-6506
J10	CONN MOLEX PLUG 6 PIN	2250-6506
J11	CONN MOLEX PLUG 6 PIN	2250-6506
J12	CONN MOLEX PLUG 3 PIN	2250-6003
J13	CONN MOLEX PLUG 3 PIN	2250-6003
J14	CONN MOLEX PLUG 3 PIN	2250-6003
J15	CONN MOLEX PLUG 4 PIN	2250-6504
K1	RELAY W117 S1P-8	1880-0019
L1	CHOKE RF 2 1/2 T	1530-0025
L2	INDUCTOR 1mHY VARIABLE	1577-0920



A3 FM DEMODULATOR BD

ASSEMBLY #. 6608-3405  
REV.# C

CKT.REF.	DESCRIPTION	TFT PART #
L3	INDUCTOR 1mHY VARIABLE	1577-0920
L4	CHOKE RF 560uH	1530-0561
L5	CHOKE RF 470uH	1530-0471
L6	CHOKE RF 27uH	1530-0270
L7	CHOKE RF 470uH	1530-0471
MF1	NUT SELF LOCK 4-40	2111-0002
MM1	SCREW P.H. 4-40X1/2	2104-0040
PC3	PCB	1600-3405
Q1	TRANSISTOR 2N4275	1271-4275
Q2	TRANSISTOR 2N4121	1271-4121
Q3	TRANSISTOR 2N4275	1271-4275
Q4	TRANSISTOR 2N4275	1271-4275
Q5	TRANSISTOR 2N4121	1271-4121
Q6	TRANSISTOR 2N3563	1271-3563
Q7	TRANSISTOR 2N4275	1271-4275
Q8	TRANSISTOR 2N2222	1271-2222
Q9	TRANSISTOR 2N3643	1271-3643
Q10	TRANSISTOR 2N3643	1271-3643
R1	RES CAR COMP 1/4W 1K 5%	1065-1001
R2	RES CAR COMP 1/4W 1K 5%	1065-1001
R3	RES CAR COMP 1/4W 150K 5%	1065-1503
R4	RES CAR COMP 1/4W 100 5%	1065-0100
R5	RES CAR COMP 1/4W 100 5%	1065-0100
R6	RES MT FILM 1/8W 10K 1%	1061-1002
R7	RES C.C. 1/4W 1M 5%	1065-1004
R8	RES CAR COMP 1/4W 4.7K 5%	1065-4701
R9	RES CAR COMP 1/4W 4.7K 5%	1065-4701
R10	RES CAR COMP 1/4W 4.7K 5%	1065-4701
R11	RES CAR COMP 1/4W 470 5%	1065-0470
R12	RES CAR COMP 1/4W 470 5%	1065-0470
R13	RES CAR COMP 1/4W 2.2K 5%	1065-2201
R14	RES CAR COMP 1/4W 2.2K 5%	1065-2201
R15	RES MT FILM 1/8W 37.4 OHM 1%	1061-0037
R16	RES MT FILM 1/8W 37.4 OHM 1%	1061-0037
R17	RES MT FILM 1/8W 750 1%	1061-0750
R18	RES CAR COMP 1/4W 3.3K 5%	1065-3301
R19	RES CAR COMP 1/4W 27K 5%	1065-2702
R20	RES CAR COMP 1/4W 27K 5%	1065-2702
R21	RES CAR COMP 1/4W 27K 5%	1065-2702
R22	RES CAR COMP 1/4W 100 5%	1065-0100
R23	RES CAR COMP 1/4W 100 5%	1065-0100
R24	RES CAR COMP 1/4W 27K 5%	1065-2702
R25	RES CAR COMP 1/4W 27K 5%	1065-2702
R26	RES CAR COMP 1/4W 100 5%	1065-0100
R27	RES CAR COMP 1/4W 100 5%	1065-0100
R28	RES CAR COMP 1/4W 56K 5%	1065-5602
R29	RES VAR 1T 20K	1072-2002
R30	RES CAR COMP 1/4W 39K 5%	1065-3902

A3 FM DEMODULATOR BD

ASSEMBLY # • 6608-3405  
REV.# C

CKT. REF.	DESCRIPTION	TFT PART #
R31	RES CAR COMP 1/4W 27K 5%	1065-2702
R32	RES CAR COMP 1/4W 100 5%	1065-0100
R33	RES CAR COMP 1/4W 100 5%	1065-0100
R34	RES MT FILM 1/8W 1K 1%	1061-1001
R35	RES MT FILM 1/8W 2.43K 1%	1061-2431
R36	RES CAR COMP 1/4W 7.5K 5%	1065-7501
R37	RES CAR COMP 1/4W 75K 5%	1065-7502
R38	RES CAR COMP 1/4W 100 5%	1065-0100
R39	RES CAR COMP 1/4W 100 5%	1065-0100
R40	RES MT FILM 1/8W 1.15K 1%	1061-1151
R41	RES MT FILM 1/8W 1K 1%	1061-1001
R42	RES VAR 10T 10K	1069-1002
R43	RES CAR COMP 1/4W 7.5K 5%	1065-7501
R44	RES CAR COMP 1/4W 75K 5%	1065-7502
R45	RES CAR COMP 1/4W 100 5%	1065-0100
R46	RES CAR COMP 1/4W 100 5%	1065-0100
R47	RES CAR COMP 1/4W 1K 5%	1065-1001
R48	RES CAR COMP 1/4W 10K 5%	1065-1002
R49	RES CAR COMP 1/4W 3.3K 5%	1065-3301
R50	RES CAR COMP 1/4W 1.5K 5%	1065-1501
R51	RES CAR COMP 1/4W 390 5%	1065-0390
R52	RES CAR COMP 1/4W 2.2K 5%	1065-2202
R53	RES CAR COMP 1/4W 1K 5%	1065-1001
R54	RES CAR COMP 1/4W 10K 5%	1065-1002
R55	RES CAR COMP 1/4W 470 5%	1065-0470
R56	RES CAR COMP 1/4W 4.7K 5%	1065-4701
R57	RES VAR 1T 10K	1072-1002
R58	RES CAR COMP 1/4W 10K 5%	1065-1002
R59	RES MT FLIM 1/8W 10K 1%	1061-1002
R60	RES CAR COMP 1/4W 100 5%	1065-0100
R61	RES CAR COMP 1/4W 100 5%	1065-0100
R62	RES CAR COMP 1/4W 680K 5%	1065-6803
R63	RES CAR COMP 1/4W 330K 5%	1065-3303
R64	RES CAR COMP 1/4W 1K 5%	1065-1001
R65	RES CAR COMP 1/4W 1.5K 5%	1065-1501
R66	RES CAR COMP 1/4W 100 5%	1065-0100
R67	RES CAR COMP 1/4W 100 5%	1065-0100
R68	RES CAR COMP 1/4W 5.6K 5%	1065-5601
R69	RES CAR COMP 1/4W 10K 5%	1065-1002
R70	RES CAR COMP 1/4W 5.6K 5%	1065-5601
R71	RES CAR COMP 1/4W 5.6K 5%	1065-5601
R72	RES CAR COMP 1/4W 10K 5%	1065-1002
R73	RES CAR COMP 1/4W 5.6K 5%	1065-5601
R74	RES CAR COMP 1/4W 2.2K 5%	1065-2201
R75	RES CAR COMP 1/4W 1K 5%	1065-1001
R76	RES CAR COMP 1/4W 100 5%	1065-0100
R77	RES CAR COMP 1/4W 1K 5%	1065-1001
R78	RES CAR COMP 1/4W 100 5%	1065-0100

## LIST OF MATERIALS

PAGE 6 OF 9

A3 FM DEMODULATOR BD

ASSEMBLY #. 6608-3405  
REV.# C

CKT.REF.	DESCRIPTION	TFT PART #
R79	RES MT FILM 1/8W 10K .1%	1058-1002
R80	RES MT FILM 1/8W 10K .1%	1058-1002
R81	RES MT FILM 1/8W 10K .1%	1058-1002
R82	RES CAR COMP 1/4W 100 5%	1065-0100
R83	RES CAR COMP 1/4W 100 5%	1065-0100
R84	RES CAR COMP 1/4W 10K 5%	1065-1002
R85	RES CAR COMP 1/4W 7.5K 5%	1065-7501
R86	RES CAR COMP 1/4W 1K 5%	1065-1001
R87	RES VAR 1T 1K	1072-1001
R88	RES CAR COMP 1/4W 1.5K 5%	1065-1501
R89	RES CAR COMP 1/4W 6.8K 5%	1065-6801
R90	RES CAR COMP 1/4W 100 5%	1065-0100
R91	RES CAR COMP 1/4W 100 5%	1065-0100
R92	RES CAR COMP 1/4W 10K 5%	1065-1002
R93	RES CAR COMP 1/4W 62K 5%	1065-6202
R94	RES CAR COMP 1/4W 100 5%	1065-0100
R95	RES CAR COMP 1/4W 100 5%	1065-0100
R96	RES CAR COMP 1/4W 2.7K 5%	1065-2701
R97	RES CAR COMP 1/4W 2K 5%	1065-2001
R98	RES CAR COMP 1/4W 56K 5%	1065-5602
R99	RES CAR COMP 1/4W 2K 5%	1065-2001
R100	RES CAR COMP 1/4W 100 5%	1065-0100
R101	RES CAR COMP 1/4W 100 5%	1065-0100
R102	RES VAR 1T 1K	1072-1001
R103	RES CAR COMP 1/4W 680K 5%	1065-6803
R104	RES CAR COMP 1/4W 330K 5%	1065-3303
R105	RES MT FILM 1/8W 1.37K 1%	1061-1370
R106	RES MT FILM 1/8W 432 1%	1061-0432
R107	RES MT FILM 1/8W 137 1%	1061-0137
R108	RES MT FILM 1/8W 43.2 1%	1061-0043
R109	RES MT FILM 1/8W 13.7 1%	1061-0013
R110	RES MT FILM 1/8W 12.7 1%	1061-0012
R111	RES MT FILM 1/8W 12.7 1%	1061-0012
R112	RES CAR COMP 1/4W 10K 5%	1065-1002
R113	RES CAR COMP 1/4W 4.7K 5%	1065-4701
R114	RES CAR COMP 1/4W 10K 5%	1065-1002
R115	RES CAR COMP 1/4W 12K 5%	1065-1202
R116	RES CAR COMP 1/4W 2.2K 5%	1065-2201
R117	RES CAR COMP 1/4W 100 5%	1065-0100
R118	RES CAR COMP 1/4W 100 5%	1065-0100
R119	RES CAR COMP 1/4W 13K 5%	1065-1302
R120	RES CAR COMP 1/4W 10K 5%	1065-1002
R121	RES CAR COMP 1/4W 100 5%	1065-0100
R122	RES CAR COMP 1/4W 100 5%	1065-0100
R123	RES CAR COMP 1/4W 7.5K 5%	1065-7501
R124	RES CAR COMP 1/4W 5.6K 5%	1065-5601
R125	RES CAR COMP 1/4W 100 5%	1065-0100
R126	RES CAR COMP 1/4W 100 5%	1065-0100

## LIST OF MATERIALS

PAGE 7 OF 9

A3 FM DEMODULATOR BD

ASSEMBLY # . 6608-3405  
REV.# C

CKT.REF.	DESCRIPTION	TFT PART #
R127	RES MT FILM 1/8W 10K 1%	1061-1002
R128	RES MT FILM 1/8W 10K 1%	1061-1002
R129	RES MT FILM 1/8W 10K 1%	1061-1002
R130	RES CAR COMP 1/4W 100 5%	1065-0100
R131	RES CAR COMP 1/4W 100 5%	1065-0100
R132	RES CAR COMP 1/4W 100 5%	1065-0100
R133	RES CAR COMP 1/4W 100 5%	1065-0100
R134	RES MT FLIM 1/8W 10K 1%	1061-1002
R135	RES CAR COMP 1/4W 100 5%	1065-0100
R136	RES CAR COMP 1/4W 100 5%	1065-0100
R137	RES MT FLIM 1/8W 10K 1%	1061-1002
R138	RES CAR COMP 1/4W 10K 5%	1065-1002
R139	RES VAR 1T 10K	1072-1002
R140	RES CAR COMP 1/4W 10K 5%	1065-1002
R141	RES CAR COMP 1/4W 20K 5%	1065-2002
R142	RES CAR COMP 1/4W 100 5%	1065-0100
R143	RES CAR COMP 1/4W 100 5%	1065-0100
R144	RES CAR COMP 1/4W 680K 5%	1065-6803
R145	RES CAR COMP 1/4W 330K 5%	1065-3303
R146	RES CAR COMP 1/4W 1K 5%	1065-1001
R147	RES CAR COMP 1/4W 6.8K 5%	1065-6801
R148	RES CAR COMP 1/4W 100 5%	1065-0100
R149	RES CAR COMP 1/4W 100 5%	1065-0100
R150	RES CAR COMP 1/4W 5.6K 5%	1065-5601
R151	RES CAR COMP 1/4W 10K 5%	1065-1002
R152	RES CAR COMP 1/4W 5.6K 5%	1065-5601
R153	RES CAR COMP 1/4W 100K 5%	1065-1003
R154	RES CAR COMP 1/4W 1K 5%	1065-1001
R155	RES MT FILM 1/8W 7.5K 1%	1061-7501
R156	RES CAR COMP 1/4W 100 5%	1065-0100
R157	RES CAR COMP 1/4W 100 5%	1065-0100
R158	RES VAR 1T 10K	1072-1002
R159	RES CAR COMP 1/4W 10K 5%	1065-1002
R160	RES CAR COMP 1/4W 75K 5%	1065-7502
R161	RES MT FILM 1/8W 10K 1%	1061-1002
R162	RES CAR COMP 1/4W 7.5K 5%	1065-7501
R163	RES CAR COMP 1/4W 10K 5%	1065-1002
R164	RES CAR COMP 1/4W 4.7K 5%	1065-4701
R165	RES MT FILM 1/8W 10K 1%	1061-1002
R166	RES CAR COMP 1/4W 10K 5%	1065-1002
R167	RES CAR COMP 1/4W 4.7K 5%	1065-4701
R168	RES CAR COMP 1/4W 4.7K 5%	1065-4701
R169	RES CAR COMP 1/4W 100 5%	1065-0100
R170	RES CAR COMP 1/4W 100 5%	1065-0100
R171	RES CAR COMP 1/4W 100 5%	1065-0100
R172	RES CAR COMP 1/4W 100 5%	1065-0100
R173	RES CAR COMP 1/4W 100 5%	1065-0100
R174	RES CAR COMP 1/4W 100 5%	1065-0100

## LIST OF MATERIALS

PAGE 8 OF 9

A3 FM DEMODULATOR BD

ASSEMBLY # 6608-3405

REV.# C

CKT. REF.	DESCRIPTION	TFT PART #
R175	RES CAR COMP 1/4W 100 5%	1065-0100
R176	RES CAR COMP 1/4W 100 5%	1065-0100
R177	NOT USED	
R178	RES CAR COMP 1/4W 10 5%	1065-0010
R179	NOT USED	
R180	RES CAR COMP 1/4W 100 5%	1065-0100
R181	RES CAR COMP 1/4W 10 5%	1065-0010
R182	RES CAR COMP 1/4W 10 5%	1065-0010
R183	RES M.F. 1MEG 1% 1/8W	1061-1004
S1	SWITCH DPDT 10 POSITION	1850-0101
S6	NOT USED	
SP1	SPACER 3/16"	2130-1875
U1	IC LM361	1100-0361
U2	IC 74221	1100-7422
U3	IC CD4518	1102-4518
U4	IC CD4520	1102-4520
U5	IC CD4001	1102-4001
U6	IC CD4011	1102-4011
U7	IC LF356	1100-0356
U8	IC LF356	1100-0356
U9	IC LF356	1100-0356
U10	IC NE5534	1100-5534
U11	IC NE5534	1100-5534
U12	IC LF356	1100-0356
U13	IC LF356	1100-0356
U14	IC LF356	1100-0356
U15	IC LF353	1100-0353
U16	IC LF356	1100-0356
U17	IC LF356	1100-0356
U18	IC NE5534	1100-5534
U19	IC LF356	1100-0356
U20	IC LF356	1100-0356
U21	IC LF353	1100-0353
U22	IC LF356	1100-0356
U23	IC LF356	1100-0356
U24	IC LF353	1100-0353
U25	IC LM340T-12	1100-0340
U26	IC MC7912	1100-7912
U27	IC LF353	1100-0353
U28	IC LF353	1100-0353
U29	IC 342T-05	1100-4205
U30	IC 340T-08	1100-4080
U31	IC NE5534	1100-5534
XI1	INSULATOR MICA T0220	2140-0103
XT3	TY WRAP	2140-0011
XU1	IC SOCKET 8 PIN	2250-1008
XU2	IC SOCKET 14 PIN	2250-1014
XU3	IC SOCKET 16 PIN	2250-1016

LIST OF MATERIALS

PAGE 9 OF 9

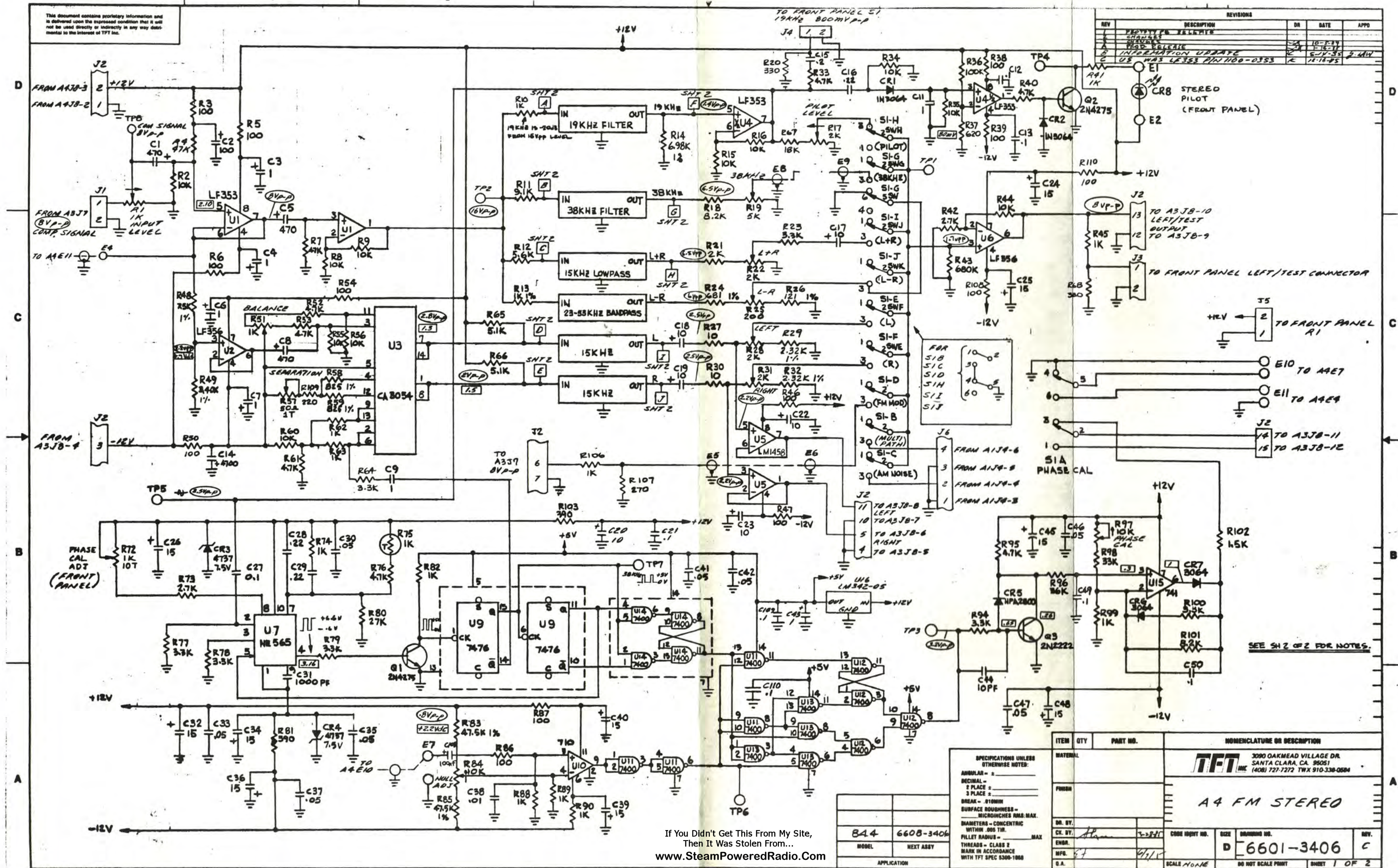
A3 FM DEMODULATOR BD

ASSEMBLY #. 6608-3405  
REV.# C

CKT.REF.	DESCRIPTION	TFT PART #
XU25 Y1	NOT USED CRYSTAL 3.6 MHZ	2400-0360

This document contains proprietary information and is delivered upon the expressed condition that it will not be used directly or indirectly in any way detrimental to the interest of TPT Inc.

REV	DESCRIPTION	DR	DATE	APPD
1	DESIGN FOR RELEASE	SA	10-1-77	
2	DESIGN FOR RELEASE	SA	10-1-77	
3	IMPROVEMENT UPDATE	SA	5-17-85	
4	US WAS L353 PWT100-0353	SA	11-16-85	



SEE SH 2 OF 2 FOR NOTES.

If You Didn't Get This From My Site,  
Then It Was Stolen From...  
www.SteamPoweredRadio.Com

ITEM	QTY	PART NO.	NOMENCLATURE OR DESCRIPTION
844	6608-3404		
<p> <b>ITEM 1</b>  <b>QTY</b> 1  <b>PART NO.</b> 6601-3406  <b>NOMENCLATURE OR DESCRIPTION</b> A4 FM STEREO  <b>DR. BY.</b> [Signature]  <b>CHK. BY.</b> [Signature]  <b>ENGR.</b> [Signature]  <b>MFG.</b> [Signature]  <b>D.A.</b> [Signature]         </p>			

TPT 3090 OAKMEAD VILLAGE DR. SANTA CLARA, CA. 95051 (408) 727-7272 TWX 910-338-0584

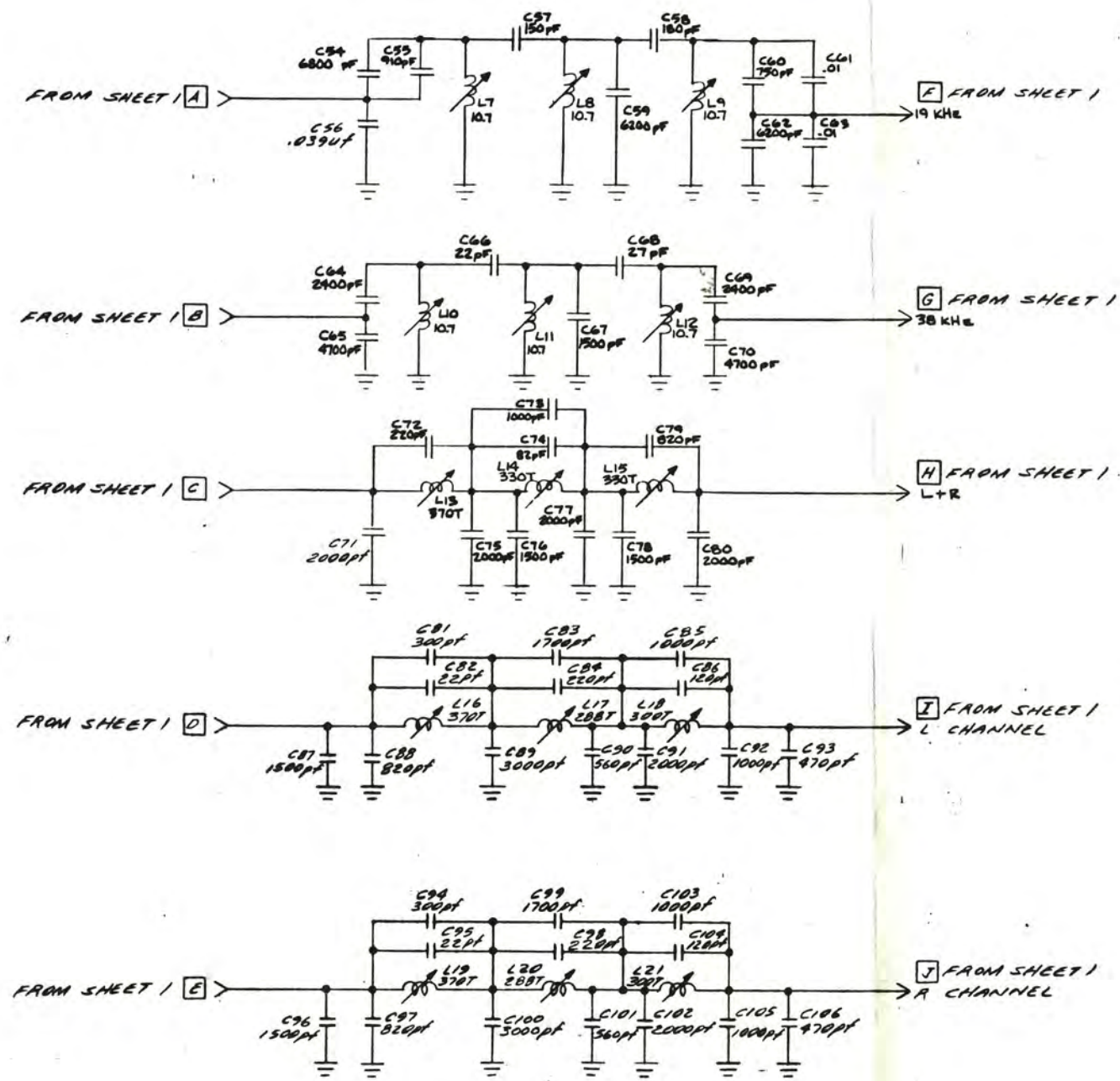
A4 FM STEREO

D 6601-3406

SCALE NONE DO NOT SCALE PRINT SHEET 1 OF 2

This document contains proprietary information and is delivered upon the expressed condition that it will not be used directly or indirectly in any way detrimental to the interest of TFT Inc.

REVISIONS				
REV	DESCRIPTION	DR	DATE	APPD
SEE SH 1 OF 2 FOR REVISIONS				



7. ○ = AC VOLTAGE TYPICAL VOLTAGES FOR 1mV RF INPUT
  6. □ = DC VOLTAGE
  5. ALL DC MEASUREMENTS MADE WITH NO RF INPUT
  4. PCB 1600-3410, MAT'L LIST & ASSY 6608-3410
  3. INDUCTOR VALUES ARE IN MICROHENRIES.
  2. CAPACITOR VALUES ARE IN MICROFARADS
  1. RESISTOR VALUES ARE IN OHMS, 1/4 W 5%.
- NOTES, UNLESS OTHERWISE SPECIFIED;

If You Didn't Get This From My Site,  
Then It Was Stolen From...  
[www.SteamPoweredRadio.Com](http://www.SteamPoweredRadio.Com)

844	6608-3406
MODEL	NEXT ASSY
APPLICATION	

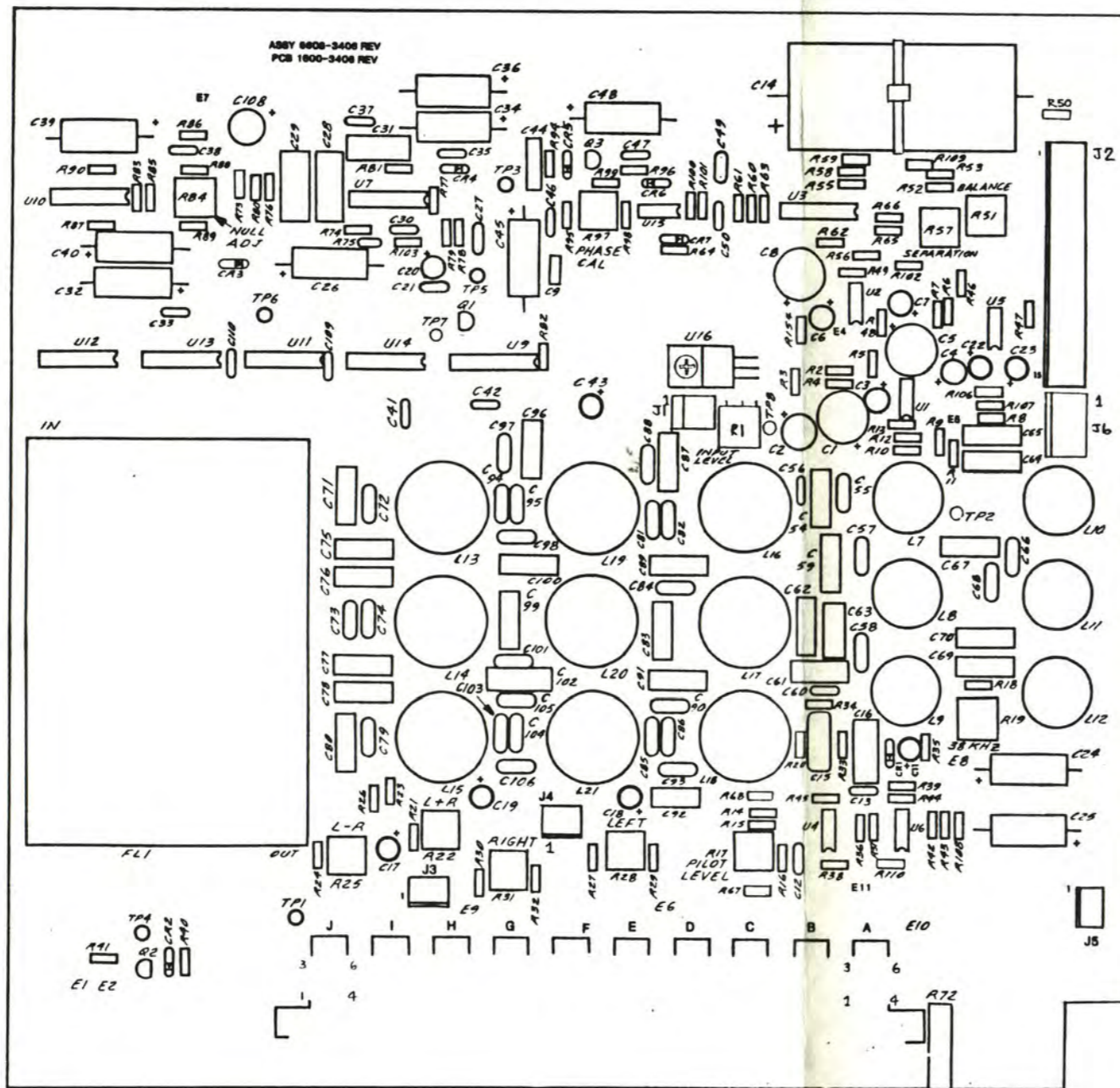
SPECIFICATIONS UNLESS OTHERWISE NOTED:  
 ANGULAR = ± \_\_\_\_\_  
 DECIMAL = ± \_\_\_\_\_  
 2 PLACE = ± \_\_\_\_\_  
 3 PLACE = ± \_\_\_\_\_  
 BREAK = .010MIN  
 SURFACE ROUGHNESS = MICROINCHES RMS: MAX.  
 DIAMETERS - CONCENTRIC WITHIN .005 TIR. MAX  
 FILLET RADIUS = \_\_\_\_\_  
 THREADS - CLASS 2 MAX IN ACCORDANCE WITH TFT SPEC 5300-1008

ITEM	QTY	PART NO.	NOMENCLATURE OR DESCRIPTION						
MATERIAL			<b>TFT INC</b> 3090 DAKMEAD VILLAGE DR. SANTA CLARA, CA. 95051 (408) 727-7272 TWX 910-338-0584						
FINISH									
DR. BY: <i>JA</i>			<b>A4 FM STEREO</b>						
CR. BY: <i>JA</i>									
ENGR: <i>BT</i>						CORE IDENT NO.	SIZE	DRAWING NO.	DRY
MFG: <i>BT</i>						D	D	6601-3406	C
G.A.			SCALE: NONE	DO NOT SCALE PRINT	SHEET	2 OF 2			



This document contains proprietary information and is delivered upon the expressed condition that it will not be used directly or indirectly in any way detrimental to the interest of TFT Inc.

REVISIONS				
REV	DESCRIPTION	DR	DATE	APPD
A	PROD. RELEASE	CA	11	
B	REVISED PER ECO 1695	K	10-10-85	
C	UPDATE P/L	RD	10-30-85	
D	DELETE C32, C33, C111. ADD C16, C65	CH	12-06-85	



A3 FM DEMODULATOR BD

ASSEMBLY #. 6608-3405  
REV.# C

CKT.REF.	DESCRIPTION	TFT PART #
C1	CAP MINI CER 1MF	1005-0001
C2	CAP MINI CER 1MF	1005-0001
C3	CAP MINI CER 1MF	1005-0001
C4	CAP MINI CER 1MF	1005-0001
C5	CAP MICA 56PF	1001-0560
C6	CAP MICA 10PF	1001-0100
C7	CAP MICA 10PF	1001-0100
C8	CAP ELECT VERT MT 16V 1000MF	1010-0012
C9	CAP CER CK05 .1MF	1015-0001
C10	CAP MICA 10PF	1001-0100
C11	CAP MICA 10PF	1001-0100
C12	CAP CER CK05 .0039MF	1015-0039
C13	CAP MICA 240PF	1001-0241
C14	CAP CER CK05 .0082MF	1015-0082
C15	CAP ELECT VERT MT 10MF	1010-0011
C16	CAP CER CK05 .1MF	1015-0001
C17	CAP CER CK05 .1MF	1015-0001
C18	CAP MET POLY .01MF	1006-0002
C19	CAP MICA 91PF	1001-0910
C20	CAP CER CK05 .1MF	1015-0001
C21	CAP CER CK05 .1MF	1015-0001
C22	CAP CER CK05 .1MF	1015-0001
C23	CAP CER CK05 .1MF	1015-0001
C24	CAP MICA 1000PF	1001-0102
C25	CAP MICA 270PF	1001-0271
C26	CAP MICA 1700PF	1001-0172
C27	CAP MICA 200PF	1001-0201
C28	CAP MICA 1000PF	1001-0102
C29	CAP MICA 270PF	1001-0271
C30	CAP ELECT VERT MT 25V 470MF	1010-0045
C31	CAP MINI CER 1MF	1005-0001
C32	CAP MINI CER 1MF	1005-0001
C33	CAP MICA 18PF	1001-0180
C34	CAP MICA 270PF	1001-0271
C35	CAP MICA 33PF	1001-0330
C36	CAP MICA 470PF	1001-0471
C37	CAP MICA 470PF	1001-0471
C38	CAP MICA 240PF	1001-0241
C39	CAP MICA 5PF	1001-0050
C40	CAP MICA 22PF	1001-0220
C41	CAP MICA 100PF	1001-0101
C42	CAP MICA 75PF	1001-0750
C43	CAP MINI CER 1MF	1005-0001
C44	CAP MINI CER 1MF	1005-0001
C45	CAP CER CK05 .1MF	1015-0001
C46	CAP MICA 51PF	1001-0510
C47	CAP MICA 1000PF	1001-0102
C48	CAP MICA 470PF	1001-0471

A3 FM DEMODULATOR BD

ASSEMBLY #. 6608-3405  
REV.# C

CKT. REF.	DESCRIPTION	TFT PART #
C49	CAP CER CK05 .1MF	1015-0001
C50	CAP MINI CER 1MF	1005-0001
C51	CAP MINI CER 1MF	1005-0001
C52	CAP CER CK06 .22MF	1015-0003
C53	CAP CER CK05 .1MF	1015-0001
C54	CAP CER CK05 .1MF	1015-0001
C55	CAP TAN 35V 10% 10MF	1008-0101
C56	CAP TAN 35V 10% 4.7MF	1008-0047
C57	CAP MINI CER 1MF	1005-0001
C58	CAP MINI CER 1MF	1005-0001
C59	CAP TAN 35V 10% 4.7MF	1008-0047
C60	CAP TAN 35V 10% 10MF	1008-0101
C61	CAP CER CK05 .1MF	1015-0001
C62	CAP CER CK05 .1MF	1015-0001
C63	CAP MINI CER 1MF	1005-0001
C64	CAP MINI CER 1MF	1005-0001
C65	CAP MINI CER 1MF	1005-0001
C66	CAP MINI CER 1MF	1005-0001
C67	CAP CER CK05 .068MF	1015-0013
C68	CAP ELECT 10MFD 35V VERT MT	1010-0099
C69	CAP MINI CER 1MF	1005-0001
C70	CAP ELECT VERT MT 25V 470MF	1010-0045
C71	CAP CER CK06 .22MF	1015-0003
C72	CAP CER CK05 .1MF	1015-0001
C73	CAP CER CK05 .1MF	1015-0001
C74	CAP MINI CER 1MF	1005-0001
C75	CAP MINI CER 1MF	1005-0001
C76	CAP MINI CER 1MF	1005-0001
C77	CAP MINI CER 1MF	1005-0001
C78	CAP MET POLY .01MF	1006-0002
C79	CAP MINI CER 1MF	1005-0001
C80	CAP MINI CER 1MF	1005-0001
C81	CAP MET POLY .01MF	1006-0002
C82	CAP MINI CER 1MF	1005-0001
C83	CAP MINI CER 1MF	1005-0001
C84	CAP MET POLY .01MF	1006-0002
C85	CAP CER CK06 .22MF	1015-0003
C86	CAP MINI CER 1MF	1005-0001
C87	CAP MINI CER 1MF	1005-0001
C88	CAP CER CK06 .22MF	1015-0003
C89	CAP CER CK05 .1MF	1015-0001
C90	CAP CER CK05 .1MF	1015-0001
C91	CAP TAN 35V 10% 10MF	1008-0101
C92	CAP TAN 35V 10% 4.7MF	1008-0047
C93	CAP ELECT 8000MF	1010-8000
C94	CAP CER CK05 .1MF	1015-0001
C95	CAP ELECT 4700MF	1010-0472
C96	CAP CER CK05 .1MF	1015-0001

A3 FM DEMODULATOR BD

ASSEMBLY #.6608-3405  
REV.# C

CKT.REF.	DESCRIPTION	TFT PART #
C97	CAP MINI CER 1MF	1005-0001
C98	CAP MINI CER 1MF	1005-0001
C99	CAP ELECT VERT MT 100MF	1010-0110
C100	CAP ELECT VERT MT 100MF	1010-0110
C101	CAP ELECT VERT MT 100MF	1010-0110
C102	CAP ELECT AXIAL MT 6V 25MF	1010-0250
C103	CAP ELECT VERT MT 100MF	1010-0110
C104	CAP ELECT VERT MT 10MF	1010-0099
C105	CAP ELECT VERT MT 100MF	1010-0110
C106	CAP CER CK05 .1MF	1015-0001
C107	CAP CER CK05 .1MF	1015-0001
C108	CAP MICA 91PF	1001-0910
C109	CAP MICA 27PF	1001-0270
C110	CAP VERB 9-35PF	1012-9035
C111	FACTORY SELECT	
CR1	DIODE HP2800	1282-2800
CR2	DIODE HP2800	1282-2800
CR3	DIODE HP2800	1282-2800
CR4	DIODE HP2800	1282-2800
CR5	DIODE HP2800	1282-2800
CR6	DIODE HP2800	1282-2800
CR7	DIODE HP2800	1282-2800
CR8	DIODE 1N3064	1281-3064
CR9	DIODE HP2800	1282-2800
CR10	DIODE SILICONE RECTIFIER MDA97	1284-9702
CR11	DIODE SILICONE RECTIFIER MDA97	1284-9702
CR12	DIODE HP2800	1282-2800
CR13	DIODE 1N4001	1284-4001
HS1	HEAT SINK	2010-1401
HS11	NOT USED	
J1	CONN MOLEX PLUG 2 PIN	2250-6002
J2	CONN MOLEX PLUG 8 PIN	2250-6508
J3	CONN MOLEX PLUG 7 PIN	2250-6507
J4	CONN MOLEX PLUG 14 PIN	2250-6014
J5	CONN MOLEX PLUG 10 PIN	2250-6510
J6	CONN MOLEX PLUG 8 PIN	2250-6508
J7	CONN MOLEX PLUG 2 PIN	2250-6002
J8	CONN MOLEX PLUG 12 PIN	2250-6012
J9	CONN MOLEX PLUG 6 PIN	2250-6506
J10	CONN MOLEX PLUG 6 PIN	2250-6506
J11	CONN MOLEX PLUG 6 PIN	2250-6506
J12	CONN MOLEX PLUG 3 PIN	2250-6003
J13	CONN MOLEX PLUG 3 PIN	2250-6003
J14	CONN MOLEX PLUG 3 PIN	2250-6003
J15	CONN MOLEX PLUG 4 PIN	2250-6504
K1	RELAY W117 S1P-8	1880-0019
L1	CHOKE RF 2 1/2 T	1530-0025
L2	INDUCTOR 1mHY VARIABLE	1577-0920

A3 FM DEMODULATOR BD

ASSEMBLY #. 6608-3405  
REV.# C

CKT.REF.	DESCRIPTION	TFT PART #
L3	INDUCTOR 1mHY VARIABLE	1577-0920
L4	CHOKE RF 560uH	1530-0561
L5	CHOKE RF 470uH	1530-0471
L6	CHOKE RF 27uH	1530-0270
L7	CHOKE RF 470uH	1530-0471
MF1	NUT SELF LOCK 4-40	2111-0002
MM1	SCREW P.H. 4-40X1/2	2104-0040
PC3	PCB	1600-3405
Q1	TRANSISTOR 2N4275	1271-4275
Q2	TRANSISTOR 2N4121	1271-4121
Q3	TRANSISTOR 2N4275	1271-4275
Q4	TRANSISTOR 2N4275	1271-4275
Q5	TRANSISTOR 2N4121	1271-4121
Q6	TRANSISTOR 2N3563	1271-3563
Q7	TRANSISTOR 2N4275	1271-4275
Q8	TRANSISTOR 2N2222	1271-2222
Q9	TRANSISTOR 2N3643	1271-3643
Q10	TRANSISTOR 2N3643	1271-3643
R1	RES CAR COMP 1/4W 1K 5%	1065-1001
R2	RES CAR COMP 1/4W 1K 5%	1065-1001
R3	RES CAR COMP 1/4W 150K 5%	1065-1503
R4	RES CAR COMP 1/4W 100 5%	1065-0100
R5	RES CAR COMP 1/4W 100 5%	1065-0100
R6	RES MT FILM 1/8W 10K 1%	1061-1002
R7	RES C.C. 1/4W 1M 5%	1065-1004
R8	RES CAR COMP 1/4W 4.7K 5%	1065-4701
R9	RES CAR COMP 1/4W 4.7K 5%	1065-4701
R10	RES CAR COMP 1/4W 4.7K 5%	1065-4701
R11	RES CAR COMP 1/4W 470 5%	1065-0470
R12	RES CAR COMP 1/4W 470 5%	1065-0470
R13	RES CAR COMP 1/4W 2.2K 5%	1065-2201
R14	RES CAR COMP 1/4W 2.2K 5%	1065-2201
R15	RES MT FILM 1/8W 37.4 OHM 1%	1061-0037
R16	RES MT FILM 1/8W 37.4 OHM 1%	1061-0037
R17	RES MT FILM 1/8W 750 1%	1061-0750
R18	RES CAR COMP 1/4W 3.3K 5%	1065-3301
R19	RES CAR COMP 1/4W 27K 5%	1065-2702
R20	RES CAR COMP 1/4W 27K 5%	1065-2702
R21	RES CAR COMP 1/4W 27K 5%	1065-2702
R22	RES CAR COMP 1/4W 100 5%	1065-0100
R23	RES CAR COMP 1/4W 100 5%	1065-0100
R24	RES CAR COMP 1/4W 27K 5%	1065-2702
R25	RES CAR COMP 1/4W 27K 5%	1065-2702
R26	RES CAR COMP 1/4W 100 5%	1065-0100
R27	RES CAR COMP 1/4W 100 5%	1065-0100
R28	RES CAR COMP 1/4W 56K 5%	1065-5602
R29	RES VAR 1T 20K	1072-2002
R30	RES CAR COMP 1/4W 39K 5%	1065-3902

A3 FM DEMODULATOR BD

ASSEMBLY # 6608-3405  
REV.# C

CKT. REF.	DESCRIPTION	TFT PART #
R31	RES CAR COMP 1/4W 27K 5%	1065-2702
R32	RES CAR COMP 1/4W 100 5%	1065-0100
R33	RES CAR COMP 1/4W 100 5%	1065-0100
R34	RES MT FILM 1/8W 1K 1%	1061-1001
R35	RES MT FILM 1/8W 2.43K 1%	1061-2431
R36	RES CAR COMP 1/4W 7.5K 5%	1065-7501
R37	RES CAR COMP 1/4W 75K 5%	1065-7502
R38	RES CAR COMP 1/4W 100 5%	1065-0100
R39	RES CAR COMP 1/4W 100 5%	1065-0100
R40	RES MT FILM 1/8W 1.15K 1%	1061-1151
R41	RES MT FILM 1/8W 1K 1%	1061-1001
R42	RES VAR 10T 10K	1069-1002
R43	RES CAR COMP 1/4W 7.5K 5%	1065-7501
R44	RES CAR COMP 1/4W 75K 5%	1065-7502
R45	RES CAR COMP 1/4W 100 5%	1065-0100
R46	RES CAR COMP 1/4W 100 5%	1065-0100
R47	RES CAR COMP 1/4W 1K 5%	1065-1001
R48	RES CAR COMP 1/4W 10K 5%	1065-1002
R49	RES CAR COMP 1/4W 3.3K 5%	1065-3301
R50	RES CAR COMP 1/4W 1.5K 5%	1065-1501
R51	RES CAR COMP 1/4W 390 5%	1065-0390
R52	RES CAR COMP 1/4W 2.2K 5%	1065-2202
R53	RES CAR COMP 1/4W 1K 5%	1065-1001
R54	RES CAR COMP 1/4W 10K 5%	1065-1002
R55	RES CAR COMP 1/4W 470 5%	1065-0470
R56	RES CAR COMP 1/4W 4.7K 5%	1065-4701
R57	RES VAR 1T 10K	1072-1002
R58	RES CAR COMP 1/4W 10K 5%	1065-1002
R59	RES MT FLIM 1/8W 10K 1%	1061-1002
R60	RES CAR COMP 1/4W 100 5%	1065-0100
R61	RES CAR COMP 1/4W 100 5%	1065-0100
R62	RES CAR COMP 1/4W 680K 5%	1065-6803
R63	RES CAR COMP 1/4W 330K 5%	1065-3303
R64	RES CAR COMP 1/4W 1K 5%	1065-1001
R65	RES CAR COMP 1/4W 1.5K 5%	1065-1501
R66	RES CAR COMP 1/4W 100 5%	1065-0100
R67	RES CAR COMP 1/4W 100 5%	1065-0100
R68	RES CAR COMP 1/4W 5.6K 5%	1065-5601
R69	RES CAR COMP 1/4W 10K 5%	1065-1002
R70	RES CAR COMP 1/4W 5.6K 5%	1065-5601
R71	RES CAR COMP 1/4W 5.6K 5%	1065-5601
R72	RES CAR COMP 1/4W 10K 5%	1065-1002
R73	RES CAR COMP 1/4W 5.6K 5%	1065-5601
R74	RES CAR COMP 1/4W 2.2K 5%	1065-2201
R75	RES CAR COMP 1/4W 1K 5%	1065-1001
R76	RES CAR COMP 1/4W 100 5%	1065-0100
R77	RES CAR COMP 1/4W 1K 5%	1065-1001
R78	RES CAR COMP 1/4W 100 5%	1065-0100

## LIST OF MATERIALS

PAGE 6 OF 9

A3 FM DEMODULATOR BD

ASSEMBLY #. 6608-3405  
REV.# C

CKT.REF.	DESCRIPTION	TFT PART #
R79	RES MT FILM 1/8W 10K .1%	1058-1002
R80	RES MT FILM 1/8W 10K .1%	1058-1002
R81	RES MT FILM 1/8W 10K .1%	1058-1002
R82	RES CAR COMP 1/4W 100 5%	1065-0100
R83	RES CAR COMP 1/4W 100 5%	1065-0100
R84	RES CAR COMP 1/4W 10K 5%	1065-1002
R85	RES CAR COMP 1/4W 7.5K 5%	1065-7501
R86	RES CAR COMP 1/4W 1K 5%	1065-1001
R87	RES VAR 1T 1K	1072-1001
R88	RES CAR COMP 1/4W 1.5K 5%	1065-1501
R89	RES CAR COMP 1/4W 6.8K 5%	1065-6801
R90	RES CAR COMP 1/4W 100 5%	1065-0100
R91	RES CAR COMP 1/4W 100 5%	1065-0100
R92	RES CAR COMP 1/4W 10K 5%	1065-1002
R93	RES CAR COMP 1/4W 62K 5%	1065-6202
R94	RES CAR COMP 1/4W 100 5%	1065-0100
R95	RES CAR COMP 1/4W 100 5%	1065-0100
R96	RES CAR COMP 1/4W 2.7K 5%	1065-2701
R97	RES CAR COMP 1/4W 2K 5%	1065-2001
R98	RES CAR COMP 1/4W 56K 5%	1065-5602
R99	RES CAR COMP 1/4W 2K 5%	1065-2001
R100	RES CAR COMP 1/4W 100 5%	1065-0100
R101	RES CAR COMP 1/4W 100 5%	1065-0100
R102	RES VAR 1T 1K	1072-1001
R103	RES CAR COMP 1/4W 680K 5%	1065-6803
R104	RES CAR COMP 1/4W 330K 5%	1065-3303
R105	RES MT FILM 1/8W 1.37K 1%	1061-1370
R106	RES MT FILM 1/8W 432 1%	1061-0432
R107	RES MT FILM 1/8W 137 1%	1061-0137
R108	RES MT FILM 1/8W 43.2 1%	1061-0043
R109	RES MT FILM 1/8W 13.7 1%	1061-0013
R110	RES MT FILM 1/8W 12.7 1%	1061-0012
R111	RES MT FILM 1/8W 12.7 1%	1061-0012
R112	RES CAR COMP 1/4W 10K 5%	1065-1002
R113	RES CAR COMP 1/4W 4.7K 5%	1065-4701
R114	RES CAR COMP 1/4W 10K 5%	1065-1002
R115	RES CAR COMP 1/4W 12K 5%	1065-1202
R116	RES CAR COMP 1/4W 2.2K 5%	1065-2201
R117	RES CAR COMP 1/4W 100 5%	1065-0100
R118	RES CAR COMP 1/4W 100 5%	1065-0100
R119	RES CAR COMP 1/4W 13K 5%	1065-1302
R120	RES CAR COMP 1/4W 10K 5%	1065-1002
R121	RES CAR COMP 1/4W 100 5%	1065-0100
R122	RES CAR COMP 1/4W 100 5%	1065-0100
R123	RES CAR COMP 1/4W 7.5K 5%	1065-7501
R124	RES CAR COMP 1/4W 5.6K 5%	1065-5601
R125	RES CAR COMP 1/4W 100 5%	1065-0100
R126	RES CAR COMP 1/4W 100 5%	1065-0100

## LIST OF MATERIALS

PAGE 7 OF 9

A3 FM DEMODULATOR BD

ASSEMBLY # . 6608-3405  
REV.# C

CKT.REF.	DESCRIPTION	TFT PART #
R127	RES MT FILM 1/8W 10K 1%	1061-1002
R128	RES MT FILM 1/8W 10K 1%	1061-1002
R129	RES MT FILM 1/8W 10K 1%	1061-1002
R130	RES CAR COMP 1/4W 100 5%	1065-0100
R131	RES CAR COMP 1/4W 100 5%	1065-0100
R132	RES CAR COMP 1/4W 100 5%	1065-0100
R133	RES CAR COMP 1/4W 100 5%	1065-0100
R134	RES MT FLIM 1/8W 10K 1%	1061-1002
R135	RES CAR COMP 1/4W 100 5%	1065-0100
R136	RES CAR COMP 1/4W 100 5%	1065-0100
R137	RES MT FLIM 1/8W 10K 1%	1061-1002
R138	RES CAR COMP 1/4W 10K 5%	1065-1002
R139	RES VAR 1T 10K	1072-1002
R140	RES CAR COMP 1/4W 10K 5%	1065-1002
R141	RES CAR COMP 1/4W 20K 5%	1065-2002
R142	RES CAR COMP 1/4W 100 5%	1065-0100
R143	RES CAR COMP 1/4W 100 5%	1065-0100
R144	RES CAR COMP 1/4W 680K 5%	1065-6803
R145	RES CAR COMP 1/4W 330K 5%	1065-3303
R146	RES CAR COMP 1/4W 1K 5%	1065-1001
R147	RES CAR COMP 1/4W 6.8K 5%	1065-6801
R148	RES CAR COMP 1/4W 100 5%	1065-0100
R149	RES CAR COMP 1/4W 100 5%	1065-0100
R150	RES CAR COMP 1/4W 5.6K 5%	1065-5601
R151	RES CAR COMP 1/4W 10K 5%	1065-1002
R152	RES CAR COMP 1/4W 5.6K 5%	1065-5601
R153	RES CAR COMP 1/4W 100K 5%	1065-1003
R154	RES CAR COMP 1/4W 1K 5%	1065-1001
R155	RES MT FILM 1/8W 7.5K 1%	1061-7501
R156	RES CAR COMP 1/4W 100 5%	1065-0100
R157	RES CAR COMP 1/4W 100 5%	1065-0100
R158	RES VAR 1T 10K	1072-1002
R159	RES CAR COMP 1/4W 10K 5%	1065-1002
R160	RES CAR COMP 1/4W 75K 5%	1065-7502
R161	RES MT FILM 1/8W 10K 1%	1061-1002
R162	RES CAR COMP 1/4W 7.5K 5%	1065-7501
R163	RES CAR COMP 1/4W 10K 5%	1065-1002
R164	RES CAR COMP 1/4W 4.7K 5%	1065-4701
R165	RES MT FILM 1/8W 10K 1%	1061-1002
R166	RES CAR COMP 1/4W 10K 5%	1065-1002
R167	RES CAR COMP 1/4W 4.7K 5%	1065-4701
R168	RES CAR COMP 1/4W 4.7K 5%	1065-4701
R169	RES CAR COMP 1/4W 100 5%	1065-0100
R170	RES CAR COMP 1/4W 100 5%	1065-0100
R171	RES CAR COMP 1/4W 100 5%	1065-0100
R172	RES CAR COMP 1/4W 100 5%	1065-0100
R173	RES CAR COMP 1/4W 100 5%	1065-0100
R174	RES CAR COMP 1/4W 100 5%	1065-0100



## LIST OF MATERIALS

PAGE 8 OF 9

A3 FM DEMODULATOR BD

ASSEMBLY # 6608-3405

REV.# C

CKT. REF.	DESCRIPTION	TFT PART #
R175	RES CAR COMP 1/4W 100 5%	1065-0100
R176	RES CAR COMP 1/4W 100 5%	1065-0100
R177	NOT USED	
R178	RES CAR COMP 1/4W 10 5%	1065-0010
R179	NOT USED	
R180	RES CAR COMP 1/4W 100 5%	1065-0100
R181	RES CAR COMP 1/4W 10 5%	1065-0010
R182	RES CAR COMP 1/4W 10 5%	1065-0010
R183	RES M.F. 1MEG 1% 1/8W	1061-1004
S1	SWITCH DPDT 10 POSITION	1850-0101
S6	NOT USED	
SP1	SPACER 3/16"	2130-1875
U1	IC LM361	1100-0361
U2	IC 74221	1100-7422
U3	IC CD4518	1102-4518
U4	IC CD4520	1102-4520
U5	IC CD4001	1102-4001
U6	IC CD4011	1102-4011
U7	IC LF356	1100-0356
U8	IC LF356	1100-0356
U9	IC LF356	1100-0356
U10	IC NE5534	1100-5534
U11	IC NE5534	1100-5534
U12	IC LF356	1100-0356
U13	IC LF356	1100-0356
U14	IC LF356	1100-0356
U15	IC LF353	1100-0353
U16	IC LF356	1100-0356
U17	IC LF356	1100-0356
U18	IC NE5534	1100-5534
U19	IC LF356	1100-0356
U20	IC LF356	1100-0356
U21	IC LF353	1100-0353
U22	IC LF356	1100-0356
U23	IC LF356	1100-0356
U24	IC LF353	1100-0353
U25	IC LM340T-12	1100-0340
U26	IC MC7912	1100-7912
U27	IC LF353	1100-0353
U28	IC LF353	1100-0353
U29	IC 342T-05	1100-4205
U30	IC 340T-08	1100-4080
U31	IC NE5534	1100-5534
XI1	INSULATOR MICA T0220	2140-0103
XT3	TY WRAP	2140-0011
XU1	IC SOCKET 8 PIN	2250-1008
XU2	IC SOCKET 14 PIN	2250-1014
XU3	IC SOCKET 16 PIN	2250-1016

LIST OF MATERIALS

PAGE 9 OF 9

A3 FM DEMODULATOR BD

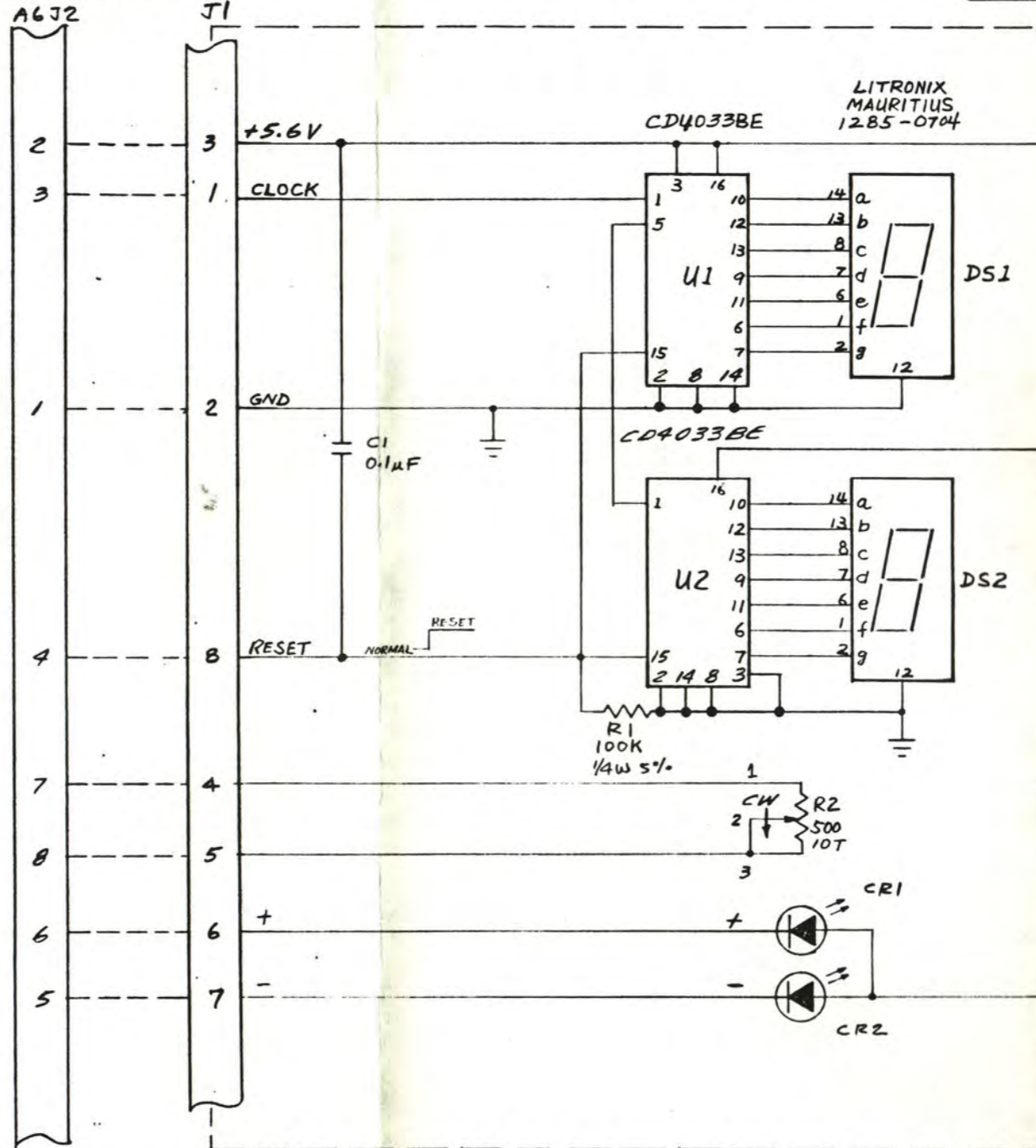
ASSEMBLY #. 6608-3405  
REV.# C

CKT.REF.	DESCRIPTION	TFT PART #
XU25 Y1	NOT USED CRYSTAL 3.6 MHZ	2400-0360

This document contains proprietary information and is delivered upon the expressed condition that it will not be used directly or indirectly in any way detrimental to the interest of TFT Inc.

REVISIONS				
REV	DESCRIPTION	DR	DATE	APPD
A	PROD. RELEASE			
B	INFORMATION UPDATE	L	5/11/85	J. LAW

TO DISPLAY DRIVER



844	6608-3409
MODEL	NEXT ASSY
APPLICATION	

SPECIFICATIONS UNLESS OTHERWISE NOTED:  
 ANGULAR = ± —  
 DECIMAL = —  
 2 PLACE ± —  
 3 PLACE ± —  
 BREAK = .010MIN  
 SURFACE ROUGHNESS = MICROINCHES RMS: MAX.  
 DIAMETERS = CONCENTRIC WITHIN .005 TIR.  
 FILLET RADIUS = — MAX  
 THREADS = CLASS 2 MARK IN ACCORDANCE WITH TFT SPEC 5300-1058

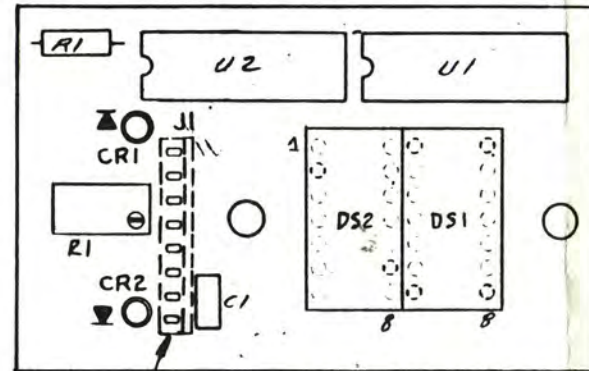
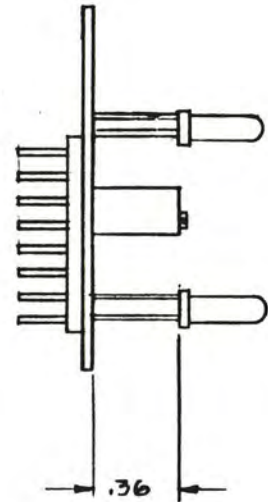
ITEM	QTY	PART NO.	NOMENCLATURE OR DESCRIPTION			
MATERIAL			3090 OAKMEAD VILLAGE DR. SANTA CLARA, CA. 95051 (408) 727-7272 TWX 910-338-0584			
FINISH						
DR. BY. J. Law			1-30-85			
CK. BY. J. LAW			1-30-85			
ENGR. J. LAW			1-30-85			
MFG.						
Q.A.						
			CODE IDENT NO.	SIZE	DRAWING NO.	REV.
			C	C	6601-3409	B
			SCALE FULL	DO NOT SCALE PRINT	SHEET 1 OF 1	

A5 FRONT PANEL DISPLAY

If You Didn't Get This From My Site,  
 Then It Was Stolen From...  
[www.SteamPoweredRadio.Com](http://www.SteamPoweredRadio.Com)

This document contains proprietary information and is delivered upon the expressed condition that it will not be used directly or indirectly in any way detrimental to the interest of TFT Inc.

REVISIONS				
REV	DESCRIPTION	DR	DATE	APPD
3		<i>[Signature]</i>	4-12-84	
A	PROD. RELEASE	<i>[Signature]</i>	1-14-85	
B	REVISED PER ECO 1690	<i>[Signature]</i>	9-27-85	



INSTALL CONNECTOR J1 ON CIRCUIT (FAR SIDE) SIDE OF BOARD

3. FOR PCB SEE 1600-3409 (LATEST REV.)
2. FOR SCHEMATIC SEE 6601-3409 (LATEST REV.)
1. FOR MATL LIST SEE 6608-3409 (LATEST REV.)

NOTES: UNLESS OTHERWISE SPECIFIED

If You Didn't Get This From My Site,  
Then It Was Stolen From...  
[www.SteamPoweredRadio.Com](http://www.SteamPoweredRadio.Com)

844	5102-3392
MODEL	NEXT ASSY
APPLICATION	

SPECIFICATIONS UNLESS OTHERWISE NOTED:  
 ANGULAR = ± —  
 DECIMAL = —  
 2 PLACE ± .02  
 3 PLACE ± —  
 BREAK = .010MIN  
 SURFACE ROUGHNESS = — MICROINCHES RMS:MAX.  
 DIAMETERS = CONCENTRIC WITHIN .005 TIR.  
 FILLET RADIUS = — MAX  
 THREADS = CLASS 2 MARK IN ACCORDANCE WITH TFT SPEC 5300-1058

ITEM	QTY	PART NO.	NOMENCLATURE OR DESCRIPTION			
MATERIAL			3090 OAKMEAD VILLAGE DR. SANTA CLARA, CA. 95051 (408) 727-7272 TWX 910-338-0584			
FINISH						
DR. BY <i>[Signature]</i> 4-12-84			PCB ASSEMBLY - A5 FRONT PANEL DISPLAY			
CK. BY <i>[Signature]</i>						
ENGR.			CODE IDENT NO.	SIZE	DRAWING NO.	REV.
MFG. <i>[Signature]</i> 4/2/85				C	6608-3409	B
Q.A.			SCALE 2/1	DO NOT SCALE PRINT		SHEET 1 OF 1

A4 FM STEREO BOARD

ASSEMBLY #. 6608-3406  
REV.# D

CKT. REF.	DESCRIPTION	TFT PART #
C1	CAP ELECT VERT MT 25V 470MF	1010-0045
C2	CAP ELECT VERT MT 100MF	1010-0110
C3	CAP ELECT VERT MT 1MF	1010-0009
C4	CAP ELECT VERT MT 1MF	1010-0009
C5	CAP ELECT VERT MT 25V 470MF	1010-0045
C6	CAP ELECT VERT MT 1MF	1010-0009
C7	CAP ELECT VERT MT 1MF	1010-0009
C8	CAP ELECT VERT MT 25V 470MF	1010-0045
C9	CAP CER 1MF	1005-0001
C10	NOT USED	
C11	CAP ELECT VERT MT 1MF	1010-0009
C12	CAP CER CK05 .1MF	1015-0001
C13	CAP CER CK05 .1MF	1015-0001
C14	CAP ELECT 4700MF	1010-0472
C15	CAP CER DISC .2MF	1005-2029
C16	CAP POLY .22MF	1002-0220
C17	CAP ELECT VERT MT 10MF	1010-0099
C18	CAP ELECT VERT MT 10MF	1010-0099
C19	CAP ELECT VERT MT 10MF	1010-0099
C20	CAP ELECT VERT MT 10MF	1010-0099
C21	CAP CER CK05 .1MF	1015-0001
C22	CAP ELECT VERT MT 10MF	1010-0099
C23	CAP ELECT VERT MT 10MF	1010-0099
C24	CAP ELECT 15MF	1010-0150
C25	CAP ELECT 15MF	1010-0150
C26	CAP ELECT 15MF	1010-0150
C27	CAP CER CK05 .1MF	1015-0001
C28	CAP POLY .22MF	1002-0220
C29	CAP POLY .22MF	1002-0220
C30	CAP CER DISC .05MF	1005-5039
C31	CAP MICA 1000pf	1001-0102
C32	CAP ELECT 15MF	1010-0150
C33	CAP CER DISC .05MF	1005-5039
C34	CAP ELECT 15MF	1010-0150
C35	CAP CER DISC .05MF	1005-5039
C36	CAP ELECT 15MF	1010-0150
C37	CAP CER DISC .05MF	1005-5039
C38	CAP CER CK05 .01MF	1015-0002
C39	CAP ELECT 15MF	1010-0150
C40	CAP ELECT 15MF	1010-0150
C41	CAP CER DISC .05MF	1005-5039
C42	CAP CERAMIC DISC .05MF	1005-5039
C43	CAP ELECT VERT MT 1MF	1010-0009
C44	CAP MICA 10PF	1001-0100
C45	CAP ELECT 15MF	1010-0150
C46	CAP CER DISC .05MF	1005-5039
C47	CAP CER DISC .05MF	1005-5039
C48	CAP ELECT 15MF	1010-0150

## LIST OF MATERIALS

PAGE 2 OF 7

A4 FM STEREO BOARD

ASSEMBLY #. 6608-3406  
REV.# D

CKT.REF.	DESCRIPTION	TFT PART #
C49	CAP CER CK05 .1MF	1015-0001
C50	CAP CER CK05 .1MF	1015-0001
C51	NOT USED	
C52	NOT USED	
C53	NOT USED	
C54	CAP MICA 6800PF	1001-0682
C55	CAP MICA 910PF	1001-0911
C56	CAP CER CK05 .039MF	1015-0041
C57	CAP MICA 150PF	1001-0151
C58	CAP MICA 180PF	1001-0181
C59	CAP MICA 6200PF	1001-0622
C60	CAP MICA 750PF	1001-0751
C61	CAP MET POLY .01MF	1006-0002
C62	CAP MICA 6200PF	1001-0622
C63	CAP MET POLY .01MF	1006-0002
C64	CAP MICA 2400PF	1001-0242
C65	CAP MICA 4700PF	1001-0472
C66	CAP MICA 22PF	1001-0220
C67	CAP MICA 1500PF	1001-0152
C68	CAP MICA 27PF	1001-0270
C69	CAP MICA 2400PF	1001-0242
C70	CAP MICA 4700PF	1001-0472
C71	CAP MICA 2000PF	1001-0202
C72	CAP MICA 220PF	1001-0221
C73	CAP MICA 1000pf	1001-0102
C74	CAP MICA 82PF	1001-0820
C75	CAP MICA 2000PF	1001-0202
C76	CAP MICA 1500PF	1001-0152
C77	CAP MICA 2000PF	1001-0202
C78	CAP MICA 1500PF	1001-0152
C79	CAP MICA 820PF	1001-0821
C80	CAP MICA 2000PF	1001-0202
C81	CAP MICA 300PF	1001-0301
C82	CAP MICA 22PF	1001-0220
C83	CAP MICA 1700PF	1001-0172
C84	CAP MICA 220PF	1001-0221
C85	CAP MICA 1000pf	1001-0102
C86	CAP MICA 120PF	1001-0121
C87	CAP MICA 1500PF	1001-0152
C88	CAP MICA 820PF	1001-0821
C89	CAP MICA 3000PF	1001-0302
C90	CAP MICA 560PF	1001-0561
C91	CAP MICA 2000PF	1001-0202
C92	CAP MICA 1000pf	1001-0102
C93	CAP MICA 470PF	1001-0471
C94	CAP MICA 300PF	1001-0301
C95	CAP MICA 22PF	1001-0220
C96	CAP MICA 1500PF	1001-0152

A4 FM STEREO BOARD

ASSEMBLY #. 6608-3406  
REV.# D

CKT.REF.	DESCRIPTION	TFT PART #
C97	CAP MICA 820PF	1001-0821
C98	CAP MICA 220PF	1001-0221
C99	CAP MICA 1700PF	1001-0172
C100	CAP MICA 3000PF	1001-0302
C101	CAP MICA 560PF	1001-0561
C102	CAP MICA 2000PF	1001-0202
C103	CAP MICA 1000pf	1001-0102
C104	CAP MICA 120PF	1001-0121
C105	CAP MICA 1000pf	1001-0102
C106	CAP MICA 470PF	1001-0471
C107	NOT USED	
C108	CAP ELECT VERT MT 100MF	1010-0110
C109	CAP CER CK05 .1MF	1015-0001
C110	CAP CER CK05 .1MF	1015-0001
C111	NOT USED	
CR1	DIODE IN3064	1281-3064
CR2	DIODE IN3064	1281-3064
CR3	DIODE ZENER 1N4737	1283-4737
CR4	DIODE ZENER 1N4737	1283-4737
CR5	DIODE HP2800	1282-2800
CR6	DIODE IN3064	1281-3064
CR7	DIODE IN3064	1281-3064
CR8	DIODE LED RED LEDCO	1285-4952
FL1	FILTER 23-53 KHZ	1052-0025
J1	CONN MOLEX PLUG 2 PIN	2250-6002
J2	CONN MOLEX PLUG 15 PIN	2250-6015
J3	CONN MOLEX PLUG 2 PIN	2250-6002
J4	CONN MOLEX PLUG 2 PIN	2250-6002
J5	CONN MOLEX PLUG 2 PIN	2250-6002
J6	CONN MOLEX PLUG 4 PIN	2250-6004
L1	NOT USED	
L2	NOT USED	
L3	NOT USED	
L4	NOT USED	
L5	NOT USED	
L6	NOT USED	
L7	INDUCTOR VARIABLE 10.7mHY	1550-0250
L8	INDUCTOR VARIABLE 10.7mHY	1550-0250
L9	INDUCTOR VARIABLE 10.7mHY	1550-0250
L10	INDUCTOR VARIABLE 10.7mHY	1550-0250
L11	INDUCTOR VARIABLE 10.7mHY	1550-0250
L12	INDUCTOR VARIABLE 10.7mHY	1550-0250
L13	INDUCTOR VARIABLE 370T	1550-0370
L14	INDUCTOR VARIABLE 330T	1550-0330
L15	INDUCTOR VARIABLE 330T	1550-0330
L16	INDUCTOR VARIABLE 370T	1550-0370
L17	INDUCTOR VARIABLE 288T	1550-0288
L18	INDUCTOR VARIABLE 300T	1550-0300

## LIST OF MATERIALS

PAGE 4 OF 7

A4 FM STEREO BOARD

ASSEMBLY #. 6608-3406  
REV.# D

CKT. REF.	DESCRIPTION	TFT PART #
L19	INDUCTOR VARIABLE 370T	1550-0370
L20	INDUCTOR VARIABLE 288T	1550-0288
L21	INDUCTOR VARIABLE 300T	1550-0300
MF1	NUT SELF LOCK 4-40	2111-0002
MM1	SCREW PH 4-40X1/2	2104-0040
PC1	PCB	1600-3406
Q1	TRANSISTOR 2N4275	1271-4275
Q2	TRANSISTOR 2N4275	1271-4275
Q3	TRANSISTOR 2N2222	1271-2222
R1	RES VARIABLE 1T 1K	1072-1001
R2	RES CAR COMP 1/4W 10K 5%	1065-1002
R3	RES CAR COMP 1/4W 100 5%	1065-0100
R4	RES CAR COMP 1/4W 47K 5%	1065-4702
R5	RES CAR COMP 1/4W 100 5%	1065-0100
R6	RES CAR COMP 1/4W 100 5%	1065-0100
R7	RES CAR COMP 1/4W 47K 5%	1065-4702
R8	RES CAR COMP 1/4W 10K 5%	1065-1002
R9	RES CAR COMP 1/4W 10K 5%	1065-1002
R10	RES CAR COMP 1/4W 1K 5%	1065-1001
R11	RES CAR COMP 1/4W 9.1K 5%	1065-9101
R12	RES CAR COMP 1/4W 5.6K 5%	1065-5601
R13	RES MT FILM 1/8W 1K 1%	1061-1001
R14	RES MT FILM 1/8W 6.98K 1%	1061-6981
R15	RES CAR COMP 1/4W 10K 5%	1065-1002
R16	RES CAR COMP 1/4W 10K 5%	1065-1002
R17	RES VARIABLE 1T 2K	1072-2001
R18	RES CAR COMP 1/4W 8.2K 5%	1065-8201
R19	RES VARIABLE 1T 5K	1072-5001
R20	RES CAR COMP 1/4W 330 5%	1065-0330
R21	RES CAR COMP 1/4W 2K 5%	1065-2001
R22	RES VARIABLE 1T 2K	1072-2001
R23	RES CAR COMP 1/4W 3.3K 5%	1065-3301
R24	RES MT FLIM 1/8W 681 1%	1061-0681
R25	RES VARIABLE 1T 200	1072-0200
R26	RES MT FLIM 1/8W 121 1%	1061-0121
R27	RES CAR COMP 1/4W 10 5%	1065-0010
R28	RES VARIABLE 1T 2K	1072-2001
R29	RES MT FLIM 1/8W 2.32K 1%	1061-2321
R30	RES CAR COMP 1/4W 10 5%	1065-0010
R31	RES VARIABLE 1T 2K	1072-2001
R32	RES MT FLIM 1/8W 2.32K 1%	1061-2321
R33	RES CA R COMP 1/4W 4.7K 5%	1065-4701
R34	RES CAR COMP 1/4W 10K 5%	1065-1002
R35	RES CAR COMP 1/4W 10K 5%	1065-1002
R36	RES CAR COMP 1/4W 100K 5%	1065-1003
R37	RES CAR COMP 1/4W 620	1065-0620
R38	RES CAR COMP 1/4W 100 5%	1065-0100
R39	RES CAR COMP 1/4W 100 5%	1065-0100



## LIST OF MATERIALS

PAGE 5 OF 7

A4 FM STEREO BOARD

ASSEMBLY #. 6608-3406  
REV.# D

CKT. REF.	DESCRIPTION	TFT PART #
R40	RES CA R COMP 1/4W 4.7K 5%	1065-4701
R41	RES CAR COMP 1/4W 1K 5%	1065-1001
R42	RES CAR COMP 1/4W 2.7K 5%	1065-2701
R43	RES CAR COMP 1/4W 680K 5%	1065-6803
R44	RES CAR COMP 1/4W 10K 5%	1065-1002
R45	RES CAR COMP 1/4W 1K 5%	1065-1001
R46	RES CAR COMP 1/4W 100 5%	1065-0100
R47	RES CAR COMP 1/4W 100 5%	1065-0100
R48	RES MT FILM 1/8W 7.5K 1%	1061-7501
R49	RES MT FILM 1/8W 3.4K 1%	1061-3401
R50	RES CAR COMP 1/4W 100 5%	1065-0100
R51	RES VARIABLE 1T 1K	1072-1001
R52	RES CA R COMP 1/4W 4.7K 5%	1065-4701
R53	RES CA R COMP 1/4W 4.7K 5%	1065-4701
R54	RES CAR COMP 1/4W 100 5%	1065-0100
R55	RES CAR COMP 1/4W 10K 5%	1065-1002
R56	RES CAR COMP 1/4W 10K 5%	1065-1002
R57	RES VARIABLE 1T 50	1072-0050
R58	RES MT FILM 1/8W 825 1%	1061-0825
R59	RES MT FILM 1/8W 825 1%	1061-0825
R60	RES CAR COMP 1/4W 10K 5%	1065-1002
R61	RES CA R COMP 1/4W 4.7K 5%	1065-4701
R62	RES CAR COMP 1/4W 1K 5%	1065-1001
R63	RES CAR COMP 1/4W 1K 5%	1065-1001
R64	RES CAR COMP 1/4W 3.3K 5%	1065-3301
R65	RES CAR COMP 1/4W 5.1K 5%	1065-5101
R66	RES CAR COMP 1/4W 5.1K 5%	1065-5101
R67	RES CAR COMP 1/4W 18K 5%	1065-1802
R68	RES CAR COMP 1/4W 330 5%	1065-0330
R69	NOT USED	
R70	NOT USED	
R71	NOT USED	
R72	RES VARIABLE 10T 1K	1069-1001
R73	RES CAR COMP 1/4W 2.7K 5%	1065-2701
R74	RES CAR COMP 1/4W 1K 5%	1065-1001
R75	THERMISTOR 1K	1080-0013
R76	RES CA R COMP 1/4W 4.7K 5%	1065-4701
R77	RES CAR COMP 1/4W 3.3K 5%	1065-3301
R78	RES CAR COMP 1/4W 3.3K 5%	1065-3301
R79	RES CAR COMP 1/4W 3.3K 5%	1065-3301
R80	RES CAR COMP 1/4W 27K 5%	1065-2702
R81	RES CAR COMP 1/4W 390 5%	1065-0390
R82	RES CAR COMP 1/4W 1K 5%	1065-1001
R83	RES MT FILM 1/8W 47.5K 1%	1061-4752
R84	RES VARIABLE 1T 10K	1072-1002
R85	RES MT FILM 1/8W 47.5K 1%	1061-4752
R86	RES CAR COMP 1/4W 100 5%	1065-0100
R87	RES CAR COMP 1/4W 100 5%	1065-0100

## LIST OF MATERIALS

PAGE 6 OF 7

A4 FM STEREO BOARD

ASSEMBLY #. 6608-3406  
REV.# D

CKT.REF.	DESCRIPTION	TFT PART #
R88	RES CAR COMP 1/4W 1K 5%	1065-1001
R89	RES CAR COMP 1/4W 1K 5%	1065-1001
R90	RES CAR COMP 1/4W 1K 5%	1065-1001
R91	NOT USED	
R92	NOT USED	
R93	NOT USED	
R94	RES CAR COMP 1/4W 3.3K 5%	1065-3301
R95	RES CA R COMP 1/4W 4.7K 5%	1065-4701
R96	RES CAR COMP 1/4W 36K 5%	1065-3602
R97	RES VARIABLE 1T 10K	1072-1002
R98	RES CAR COMP 1/4W 33K 5%	1065-3302
R99	RES CAR COMP 1/4W 1K 5%	1065-1001
R100	RES CAR COMP 1/4W 3.3K 5%	1065-3301
R101	RES CAR COMP 1/4W 8.2K 5%	1065-8201
R102	RES CAR COMP 1/4W 1.5K 5%	1065-1501
R103	RES CAR COMP 1/4W 390 5%	1065-0390
R104	NOT USED	
R105	NOT USED	
R106	RES CAR COMP 1/4W 1K 5%	1065-1001
R107	RES CAR COMP 1/4W 270 5%	1065-0270
R108	RES CAR COMP 1/4W 100 5%	1065-0100
R109	RES CAR COMP 1/4W 220 5%	1065-0220
R110	RES CAR COMP 1/4W 100 5%	1065-0100
R111	RES CAR COMP 5W 22 5%	1068-0022
S1	SWITCH 10 POS SCHADOW	1850-0102
SP1	SPACER 3/16"	2130-1875
TP1	SOLID PIN	2140-0071
TP2	SOLID PIN	2140-0071
TP3	SOLID PIN	2140-0071
TP4	SOLID PIN	2140-0071
TP5	SOLID PIN	2140-0071
TP6	SOLID PIN	2140-0071
TP7	SOLID PIN	2140-0071
U1	IC LF353	1100-0353
U2	IC LF356	1100-0356
U3	IC CA3054	1100-3054
U4	IC LF353	1100-0353
U5	IC LM1458N	1101-1458
U6	IC LF356	1100-0356
U7	IC NE565	1100-0565
U8	NOT USED	
U9	IC SN7476N	1100-7476
U10	IC LM710CN	1100-0710
U11	IC SN7400N	1100-7400
U12	IC SN7400N	1100-7400
U13	IC SN7400N	1100-7400
U14	IC SN7400N	1100-7400
U15	IC LM741	1100-0741

## LIST OF MATERIALS

PAGE 7 OF 7

A4 FM STEREO BOARD

ASSEMBLY #. 6608-3406  
REV.# D

CKT.REF.	DESCRIPTION	TFT PART #
U16	IC LM340T-05	1100-7805
XB1	SHIELDED CABLE BLU E8-E9	4740-7248
XB2	SHIELDED CABLE ORN E4-E11	4740-7245
XB3	SHIELDED CABLE YEL E7-E10	4740-7246
XB4	SHIELDED CABLE VIO E5-E6	4740-7249
XT1	TUBING SHRINK	4800-0316
XT3	CABLE TIE	2140-0011
XU1	SOCKET IC 8 PIN	2250-1008
XU2	SOCKET IC 14 PIN	2250-1014
XU3	SOCKET IC 16 PIN	2250-1016

## LIST OF MATERIALS

PAGE 1 OF 1

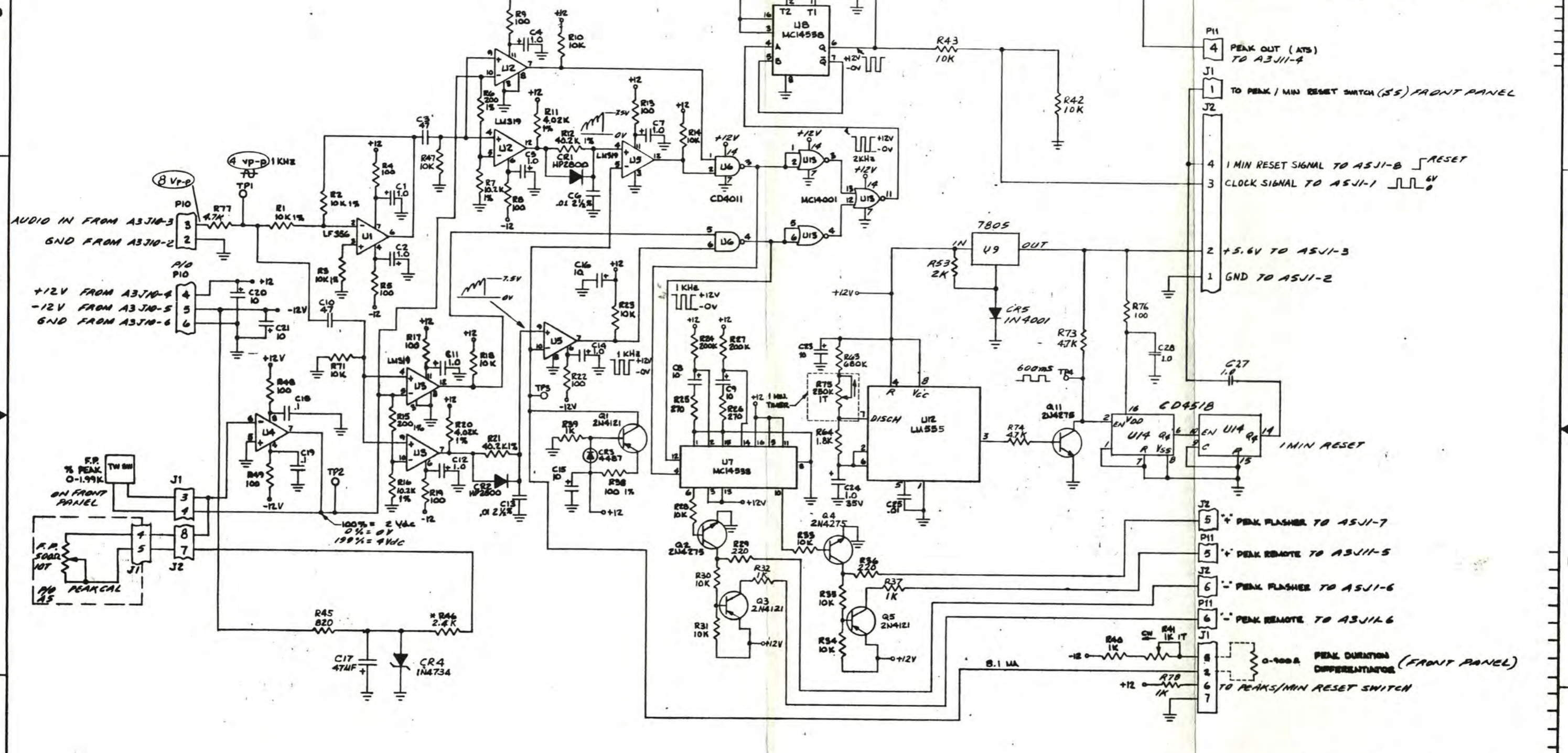
A5 FRONT PANEL DISPLAY

ASSEMBLY #.6608-3409  
REV.# B

CKT.REF.	DESCRIPTION	TFT PART #
C1	CAP CER CK05 .1 MFD	1015-0001
CR1	LED HP 5082-4403	1285-4403
CR2	LED HP 5082-4403	1285-4403
DS1	LED DISPLAY LITRONIX DL704-8	1285-0704
DS2	LED DISPLAY LITRONIX DL704-8	1285-0704
HN1	HARNESS ASSY - DISPLAY DRIVER	6606-0760
PC1	PCB	1600-3409
R1	RES CAR COMP 1/4W 100K 5%	1065-1002
R2	RES VARIABLE 20T 500	1072-0502
U1	IC CD4033BE	1102 -4033
U2	IC CD4033BE	1102 -4033
XT1	TY WRAP	2140-0009
XU1	IC SOCKETS 14 PIN	2250-1014
XU2	IC SOCKETS 14 PIN	2250-1014
XU3	IC SOCKETS 16 PIN	2250-1016
XU4	IC SOCKETS 16 PIN	2250-1016

This document contains proprietary information and is delivered upon the express condition that it will not be used directly or indirectly in any way detrimental to the interests of TPT Inc.

REVISIONS				
REV	DESCRIPTION	DR	DATE	APPD
B	RELEASE TO PRODUCTION	LL	3-19-85	
C	INFORMATION UPDATE	K	5-11-85	G. LAM
D	REVISED PER ECO 1693	K	10-8-85	



- P11 4 PEAK OUT (ATS) TO A3J11-4
- J1 1 TO PEAK / MIN RESET SWITCH (S5) FRONT PANEL
- J2 4 1 MIN RESET SIGNAL TO A5J1-B [RESET]
- 3 CLOCK SIGNAL TO A5J1-1 [6V]
- 2 +5.6V TO A5J1-3
- 1 GND TO A5J1-2
- J2 5 + PEAK FLASHER TO A5J1-7
- P11 5 + PEAK REMOTE TO A5J1-5
- J2 6 - PEAK FLASHER TO A5J1-6
- P11 6 - PEAK REMOTE TO A5J1-6
- J1 8 0-100A PEAK DURATION DIFFERENTIATOR (FRONT PANEL)
- 3 & 6 TO PEAKS/MIN RESET SWITCH

6. ALL AC LEVELS MEASURED WITH 100% MODULATION (INPUT EQUAL TO BVP-P)
  5. \* FACTORY SELECTED VALUE. TYPICAL VALUE SHOWN
  4. PCB 1600-3410, MAT'L LIST # A65Y 6608-3410
  3. INDUCTOR VALUES ARE IN MICROHENRIES.
  2. CAPACITOR VALUES ARE IN MICROFARADS.
  1. RESISTOR VALUES ARE IN OHMS, 1/4W 5%.
- NOTES, UNLESS OTHERWISE SPECIFIED;

If You Didn't Get This From My Site,  
Then It Was Stolen From...  
[www.SteamPoweredRadio.Com](http://www.SteamPoweredRadio.Com)

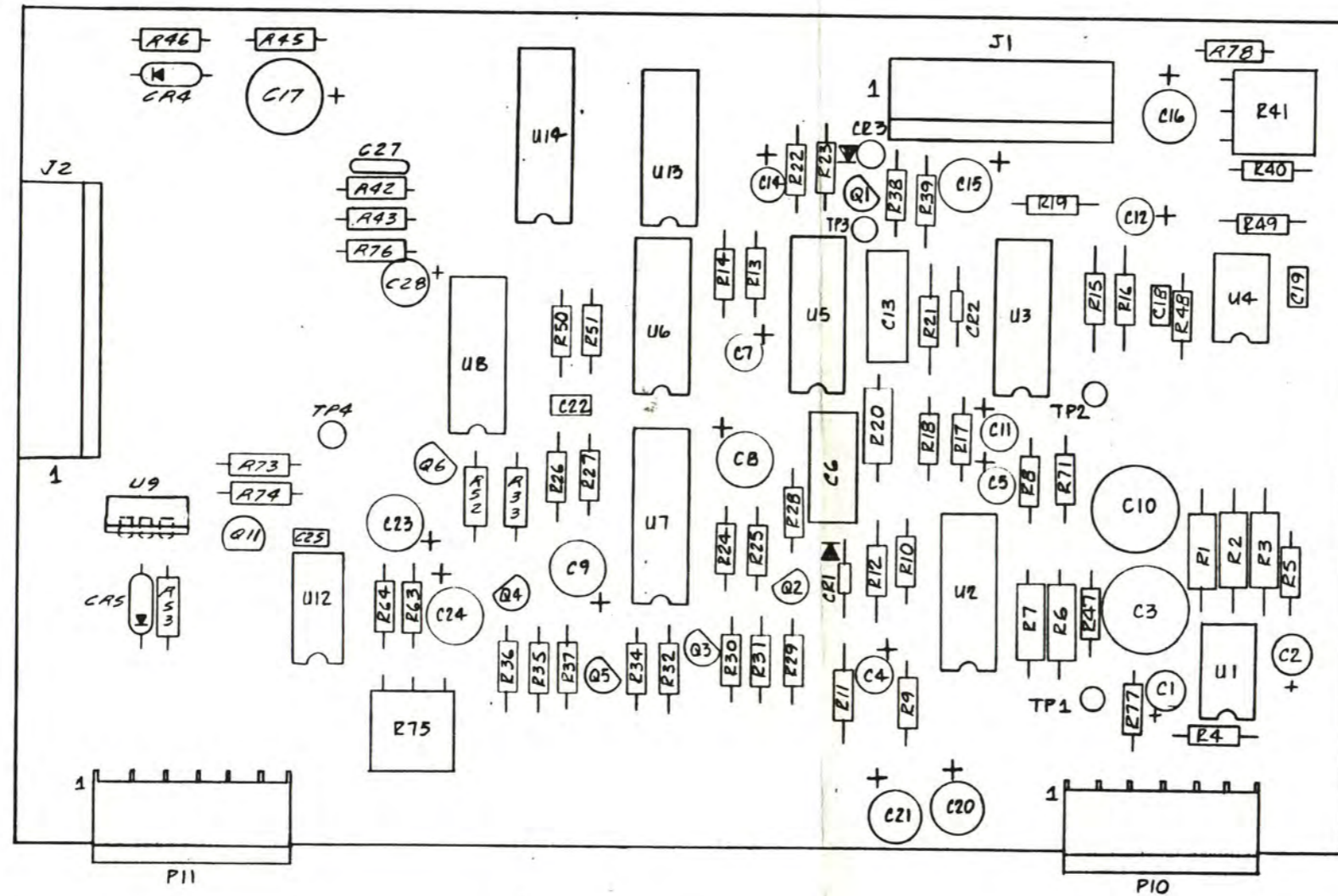
ITEM	QTY	PART NO.	NOMENCLATURE OR DESCRIPTION
			MATERIAL
			FRESH
<p>ITEM 844 QTY 6608-3410</p>			
<p>AG DISPLAY DRIVER</p>			
DR. BY	JDB	10/17/85	CODE ENTRY NO.
CHK BY	RL	5-19-85	SIZE
ENGR			DRAWING NO.
MFR	577	4/5/7	6601-3410
D.A.			REV. 0

SPECIFICATIONS UNLESS OTHERWISE NOTED:  
 ANHULAR - 2  
 DECIMAL - 2 PLACE ±  
 3 PLACE ±  
 BREAK - 0100H  
 SURFACE ROUGHNESS - MICRONS RMS-MAX.  
 DIMETERS - CONCENTRIC WITHIN .005 TIR.  
 FILLET RADIUS - MAX  
 THREADS - CLASS 2 MAKE IN ACCORDANCE WITH TYP SPEC 1300-1004

SCALE 1:1000 DO NOT SCALE PRINT SHEET 1 OF 1

This document contains proprietary information and is delivered upon the expressed condition that it will not be used directly or indirectly in any way detrimental to the interest of TFT Inc.

REVISIONS				
REV	DESCRIPTION	DR	DATE	APPD
A	RELEASE OF PRODUCTION			
B	REVISED PER EGD 1693	L	10/8/85	




- 3: FOR PCB SEE 1600-3410 (LATEST REV.)
  - 2: FOR SCHEMATIC SEE 6601-3410 (LATEST REV.)
  - 1: FOR MATL LIST SEE 6608-3410 (LATEST REV.)
- NOTES: UNLESS OTHERWISE SPECIFIED

If You Didn't Get This From My Site,  
Then It Was Stolen From...  
[www.SteamPoweredRadio.Com](http://www.SteamPoweredRadio.Com)

844	5102-3393
MODEL	NEXT ASSY
APPLICATION	

SPECIFICATIONS UNLESS OTHERWISE NOTED:  
 ANGULAR = ± —  
 DECIMAL = 2 PLACE ± —  
 3 PLACE ± —  
 BREAK = .010MIN  
 SURFACE ROUGHNESS = — MICROINCHES RMS: MAX.  
 DIAMETERS = CONCENTRIC WITHIN .005 TIR.  
 FILLET RADIUS = — MAX  
 THREADS = CLASS 2 MARK IN ACCORDANCE WITH TFT SPEC 5300-1058

ITEM	QTY	PART NO.
MATERIAL		
FINISH		
DR. BY	<i>L. Nuehse</i>	2-19-85
CK. BY		
ENGR.	<i>J. Davis</i>	2/19/85
MFG.	<i>ST</i>	5/21-
Q.A.		

NOMENCLATURE OR DESCRIPTION			
 3090 OAKMEAD VILLAGE DR. SANTA CLARA, CA. 95051 (408) 727-7272 TWX 910-338-0584			
<b>PCB ASSEMBLY- A6 DISPLAY DRIVER</b>			
CODE IDENT NO.	SIZE	DRAWING NO.	REV.
	C	6608-3410	B
SCALE 2/1		DO NOT SCALE PRINT SHEET 1 OF 1	

A6 DISPLAY DRIVER

ASSEMBLY #. 6608-3410

REV.# B

CKT.REF.	DESCRIPTION	TFT PART #
C1	CAP ELECT VERT MT 1MF	1010-0009
C2	CAP ELECT VERT MT 1MF	1010-0009
C3	CAP ELECT VERT MT 47MF	1010-0048
C4	CAP ELECT VERT MT 1MF	1010-0009
C5	CAP ELECT VERT MT 1MF	1010-0009
C6	CAP MET POLY .01MF	1006-0002
C7	CAP ELECT VERT MT 1MF	1010-0009
C8	CAP ELECT VERT MT 10MF	1010-0099
C9	CAP ELECT VERT MT 10MF	1010-0099
C10	CAP ELECT VERT MT 47MF	1010-0470
C11	CAP ELECT VERT MT 1MF	1010-0009
C12	CAP ELECT VERT MT 1MF	1010-0009
C13	CAP MET POLY .01MF	1006-0002
C14	CAP ELECT VERT MT 1MF	1010-0009
C15	CAP ELECT VERT MT 10MF	1010-0099
C16	CAP ELECT VERT MT 10MF	1010-0099
C17	CAP ELECT VERT MT 47MF	1010-0048
C18	CAP CER CK05 .1MF	1015-0001
C19	CAP CER CK05 .1MF	1015-0001
C20	CAP ELECT VERT MT 10MF	1010-0099
C21	CAP ELECT VERT MT 10MF	1010-0099
C22	CAP MONO .1MF 50V	1016-0010
C23	CAP ELECT VERT MT 10MF	1010-0099
C24	CAP TANT 1MF	1008-0011
C25	CAP CER CK05 .01MF	1015-0002
C26	NOT USED	
C27	CAP CER DISC .1MFD	1005-0001
C28	CAP ELECT VERT MT 1MF	1010-0009
CR1	DIODE HP2800	1282-2800
CR2	DIODE HP2800	1282-2800
CR3	LED HP5082-4487	1285-4487
CR4	DIODE ZENER 1N4734A	1283-4734
CR5	DIODE 1N4001 RECT	1283-4001
J1	CONN MOLEX PLUG 7 PIN	2250-6507
J2	CONN MOLEX PLUG 14 PIN	2250-6014
P10	SOCKET MOLEX 6 PIN	2250-5206
PC1	PCB	1600-3410
Q1	TRANSISTOR 2N4121	1271-4121
Q2	TRANSISTOR 2N4275	1271-4275
Q3	TRANSISTOR 2N4121	1271-4121
Q4	TRANSISTOR 2N4275	1271-4275
Q5	TRANSISTOR 2N4121	1271-4121
Q6	TRANSISTOR 2N2222	1271-2222
Q7	NOT USED	
Q8	NOT USED	
Q9	NOT USED	
Q10	NOT USED	
Q11	TRANSISTOR 2N4275	1271-4275

## LIST OF MATERIALS

PAGE 2 OF 3

A6 DISPLAY DRIVER

ASSEMBLY #. 6608-3410  
REV.# B

CKT.REF.	DESCRIPTION	TFT PART #
R1	RES MT FILM 1/8W 10K .1%	1058-1002
R2	RES MT FILM 1/8W 10K .1%	1058-1002
R3	RES MT FILM 1/8W 10K .1%	1058-1002
R4	RES CAR COMP 1/4W 100 5%	1065-0100
R5	RES CAR COMP 1/4W 100 5%	1065-0100
R6	RES MT FILM 1/8W 200 1%	1061-0200
R7	RES MT FILM 1/8W 10.2K 1%	1061-1022
R8	RES CAR COMP 1/4W 100 5%	1065-0100
R9	RES CAR COMP 1/4W 100 5%	1065-0100
R10	RES CAR COMP 1/4W 10K 5%	1065-1002
R11	RES MT FILM 1/8W 4.02K 1%	1061-4021
R12	RES MT FILM 1/8W 40.2K 1%	1061-4022
R13	RES CAR COMP 1/4W 100 5%	1065-0100
R14	RES CAR COMP 1/4W 10K 5%	1065-1002
R15	RES MT FILM 1/8W 200 1%	1061-0200
R16	RES MT FILM 1/8W 10.2K 1%	1061-1022
R17	RES CAR COMP 1/4W 100 5%	1065-0100
R18	RES CAR COMP 1/4W 10K 5%	1065-1002
R19	RES CAR COMP 1/4W 100 5%	1065-0100
R20	RES MT FILM 1/8W 4.02K 1%	1061-4021
R21	RES MT FILM 1/8W 40.2K 1%	1061-4022
R22	RES CAR COMP 1/4W 100 5%	1065-0100
R23	RES CAR COMP 1/4W 10K 5%	1065-1002
R24	RES CAR COMP 1/4W 200K 5%	1065-2003
R25	RES CAR COMP 1/4W 270 5%	1065-0270
R26	RES CAR COMP 1/4W 270 5%	1065-0270
R27	RES CAR COMP 1/4W 200K 5%	1065-2003
R28	RES CAR COMP 1/4W 10K 5%	1065-1002
R29	RES CAR COMP 1/4W 220 5%	1065-0220
R30	RES CAR COMP 1/4W 10K 5%	1065-1002
R31	RES CAR COMP 1/4W 10K 5%	1065-1002
R32	RES CAR COMP 1/4W 1K 5%	1065-1001
R33	RES CAR COMP 1/4W 10K 5%	1065-1002
R34	RES CAR COMP 1/4W 10K 5%	1065-1002
R35	RES CAR COMP 1/4W 10K 5%	1065-1002
R36	RES CAR COMP 1/4W 220 5%	1065-0220
R37	RES CAR COMP 1/4W 1K 5%	1065-1001
R38	RES MT FILM 1/8W 110 1%	1061-0110
R39	RES CAR COMP 1/4W 1K 5%	1065-1001
R40	RES CAR COMP 1/4W 1K 5%	1065-1001
R41	RES VARIABLE 1T 1K	1072-1001
R42	RES CAR COMP 1/4W 10K 5%	1065-1002
R43	RES CAR COMP 1/4W 10K 5%	1065-1002
R44	RES CAR COMP 1/4W 1K 5%	1065-1001
R45	RES CAR COMP 1/4W 820 5%	1065-0820
R46	RES CAR COMP 1/4W 2.4K 5%	1065-2401
R47	RES CAR COMP 1/4W 10K 5%	1065-1002
R48	RES CAR COMP 1/4W 100 5%	1065-0100



## LIST OF MATERIALS

PAGE 3 OF 3

A6 DISPLAY DRIVER

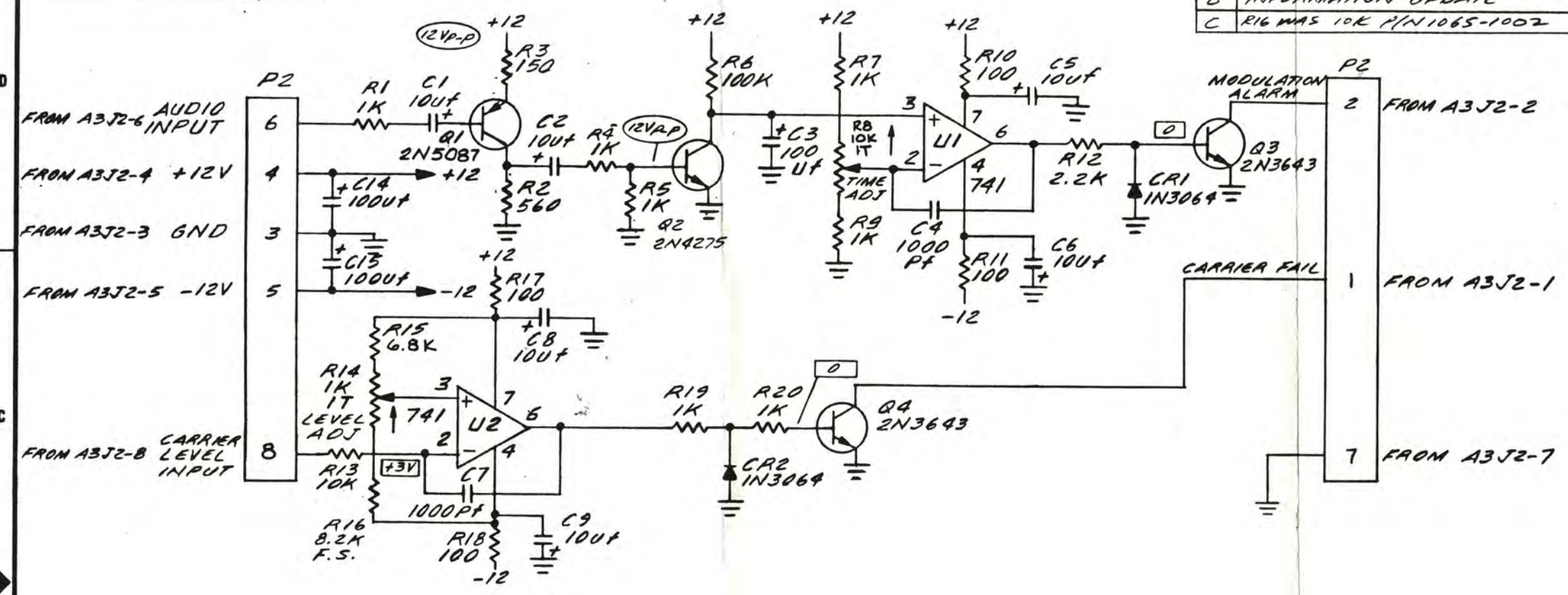
ASSEMBLY #. 6608-3410

REV.# B

CKT. REF.	DESCRIPTION	TFT PART #
R49	RES CAR COMP 1/4W 100 5%	1065-0100
R50	RES CAR COMP 1/4W 47K 5%	1065-4702
R51	RES CAR COMP 1/4W 27 5%	1065-0027
R52	RES CAR COMP 1/4W 4.7K 5%	1065-4701
R53	RES C.C. 1/4W 2K 5%	1065-2001
R54	NOT USED	
R55	NOT USED	
R56	NOT USED	
R57	NOT USED	
R58	NOT USED	
R59	NOT USED	
R60	NOT USED	
R61	NOT USED	
R62	NOT USED	
R63	RES CAR COMP 1/4W 820K 5%	1065-8203
R64	RES CAR COMP 1/4W 1.8K 5%	1065-1801
R65	NOT USED	
R66	NOT USED	
R67	NOT USED	
R68	NOT USED	
R69	NOT USED	
R70	NOT USED	
R71	RES CAR COMP 1/4W 10K 5%	1065-1002
R72	NOT USED	
R73	RES CAR COMP 1/4W 10K 5%	1065-1002
R74	RES CAR COMP 1/4W 4.7K 5%	1065-4701
R75	RES VARIABLE 1T 250K	1072-2503
R76	RES CAR COMP 1/4W 100 5%	1065-0100
R77	RES MT FILM 1/8W 634 1%	1061-0634
R78	RES CAR COMP 1/4W 1K 5%	1065-1001
U1	IC LF356	1100-0356
U2	IC LM319	1100-0319
U3	IC LM319	1100-0319
U4	IC LM1458	1100-1458
U5	IC LM319	1100-0319
U6	IC CD4011	1102-4011
U7	IC MC14538	1102-4538
U8	IC MC14538	1102-4538
U9	IC LM340T-5	1100-7805
U10	NOT USED	
U11	NOT USED	
U12	IC LM555	1100-0555
U13	IC CD4001	1102-4001
U14	IC CD4518	1102-4518
XU1, XU4, XU12	IC SOCKET 8 PIN	2250-1008
XU2, XU3, XU13, XU6, XU5	IC SOCKET 14 PIN	2250-1014
XU14, XU8, XU7	IC SOCKET 16 PIN	2250-1016

This document contains proprietary information and is delivered upon the expressed condition that it will not be used directly or indirectly in any way detrimental to the interest of TFT Inc.

REVISIONS				
REV	DESCRIPTION	DR	DATE	APPD
A	RELEASE TO PRODUCTION			
B	INFORMATION UPDATE	KE	5/14/85	H. LAW
C	R16 WAS 10K P/N 1065-1002	LC	12/14/85	



- 4. = AC VOLTAGE TYPICAL VOLTAGES FOR 1mV RF INPUT
  - 3. = DC VOLTAGE
  - 2. ALL DC MEASUREMENTS MADE WITH NO RF INPUT
  - 1. RESISTOR VALUES ARE IN OHMS 1/4W 5%
- NOTES: UNLESS OTHERWISE SPECIFIED;

If You Didn't Get This From My Site,  
Then It Was Stolen From...  
[www.SteamPoweredRadio.Com](http://www.SteamPoweredRadio.Com)

844	6608-3411
MODEL	NEXT ASSY
APPLICATION	

SPECIFICATIONS UNLESS OTHERWISE NOTED:	
ANGULAR = ± _____	
DECIMAL = 2 PLACE ± _____	
3 PLACE ± _____	
BREAK = .010MIN	
SURFACE ROUGHNESS = _____ MICROINCHES RMS:MAX.	
DIAMETERS - CONCENTRIC WITHIN .005 TIR.	
FILLET RADIUS = _____ MAX	
THREADS - CLASS 2 MARK IN ACCORDANCE WITH TFT SPEC 8300-1058	
MATERIAL	
FINISH	
DR. BY. <i>KK</i>	5/14/85
CK. BY. <i>Shu</i>	3-20-85
ENGR.	
MFG. <i>ET</i>	6/11/85
Q.A.	

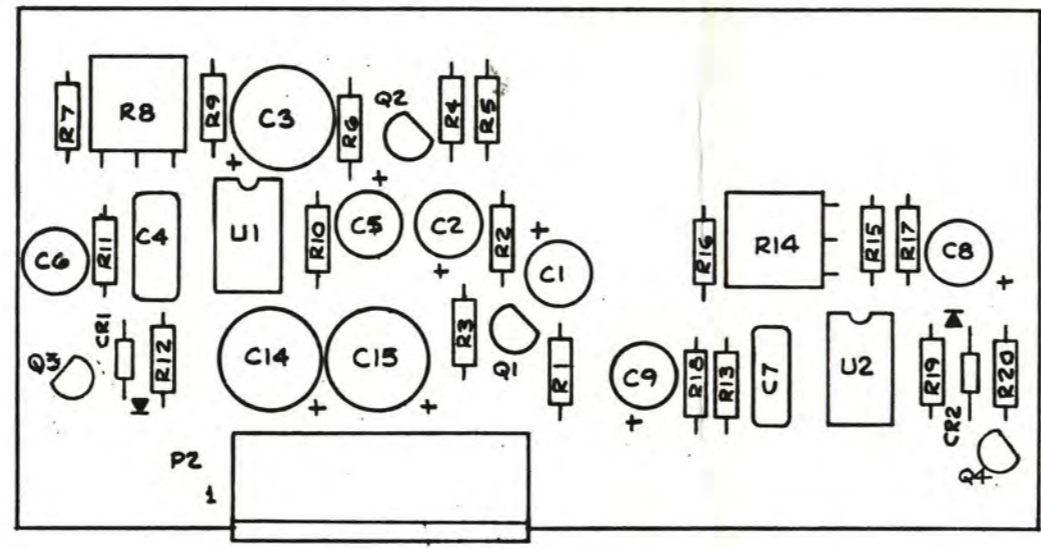
**TFT INC** 3090 OAKMEAD VILLAGE DR. SANTA CLARA, CA. 95051 (408) 727-7272 TWX 910-338-0594

### A7 ALARM OPTION

CODE IDENT NO.	SIZE	DRAWING NO.	REV.
	C	6601-3411	C
SCALE NONE	DO NOT SCALE PRINT	SHEET 1 OF 1	

This document contains proprietary information and is delivered upon the expressed condition that it will not be used directly or indirectly in any way detrimental to the interest of TFT Inc.

REVISIONS				
REV	DESCRIPTION	DR	DATE	APPD
A	RELEASE TO PRODUCTION			



www.SteamPoweredRadio.Com

- 3. FOR PCB SEE 1600-3411 (LATEST REV.)
  - 2. FOR SCHEMATIC SEE 6601-3411 (LATEST REV.)
  - 1. FOR MAT'L LIST SEE 6608-3411 (LATEST REV.)
- NOTES, UNLESS OTHERWISE SPECIFIED;

844	7100-3840
MODEL	NEXT ASSY
APPLICATION	

**SPECIFICATIONS UNLESS OTHERWISE NOTED:**  
 ANGULAR - ± \_\_\_\_\_  
 DECIMAL - 2 PLACE ± \_\_\_\_\_  
 3 PLACE ± \_\_\_\_\_  
 BREAK - .010MIN  
 SURFACE ROUGHNESS - MICROINCHES RMS: MAX.  
 DIAMETERS - CONCENTRIC WITHIN .005 TIR.  
 FILLET RADIUS - \_\_\_\_\_ MAX  
 THREADS - CLASS 2  
 MARK IN ACCORDANCE WITH TFT SPEC 6300-1058

ITEM	QTY	PART NO.	NOMENCLATURE OR DESCRIPTION			
MATERIAL			3090 OAKMEAD VILLAGE DR. SANTA CLARA, CA. 95051 (408) 727-7272 TWX 910-338-0584			
FINISH						
DR. BY. JDB 10/9/04			CODE IDENT NO.	SIZE	DRAWING NO.	REV.
CK. BY.			C		6608-3411	A
ENGR.			SCALE 2/1 DO NOT SCALE PRINT SHEET 1 OF 1			
MFG. EF 7/1/15						
Q.A.						

A7 ALARM (OPTION 01)

ASSEMBLY #. 6608-3411

REV.# A

CKT.REF.	DESCRIPTION	TFT PART #
C1	CAP ELECT VERT MT 10MF	1010-0099
C2	CAP ELECT VERT MT 10MF	1010-0099
C3	CAP ELECT VERT MT 100MF	1010-0110
C4	CAP MICA 1000PF	1001-0102
C5	CAP ELECT VERT MT 10MF	1010-0099
C6	CAP ELECT VERT MT 10MF	1010-0099
C7	CAP MICA 1000PF	1001-0102
C8	CAP ELECT VERT MT 10MF	1010-0099
C9	CAP ELECT VERT MT 10MF	1010-0099
C10	NOT USED	
C11	NOT USED	
C12	NOT USED	
C13	NOT USED	
C14	CAP ELECT VERT MT 100MF	1010-0110
C15	CAP ELECT VERT MT 100MF	1010-0110
CR1	DIODE 1N3064	1281-3064
CR2	DIODE 1N3064	1281-3064
CR3	NOT USED	
CR4	NOT USED	
P2	CONN 8 PIN MOLEX	2250-5208
PC1	PCB	1600-3411
Q1	TRANSISTOR 2N5087	1271-5087
Q2	TRANSISTOR 2N4275	1271-4275
Q3	TRANSISTOR 2N3643	1271-3643
Q4	TRANSISTOR 2N3643	1271-3643
Q5	NOT USED	
R1	RES CAR COMP 1/4W 5% 1K	1065-1001
R2	RES CAR COMP 1/4W 5% 560	1065-0560
R3	RES CAR COMP 1/4W 5% 150	1065-0150
R4	RES CAR COMP 1/4W 5% 1K	1065-1001
R5	RES CAR COMP 1/4W 5% 1K	1065-1001
R6	RES CAR COMP 1/4W 5% 100K	1065-1003
R7	RES CAR COMP 1/4W 5% 1K	1065-1001
R8	RES VARIABLE 1T 10K	1072-1002
R9	RES CAR COMP 1/4W 5% 1K	1065-1001
R10	RES CAR COMP 1/4W 5% 100	1065-0100
R11	RES CAR COMP 1/4W 5% 100	1065-0100
R12	RES CAR COMP 1/4W 5% 2.2K	1065-2201
R13	RES CAR COMP 1/4W 5% 10K	1065-1002
R14	RES VARIABLE 1T 1K	1072-1001
R15	RES CAR COMP 1/4W 5% 6.8K	1065-6801
R16	RES CAR COMP 1/4W 5% 10K	1065-1002
R17	RES CAR COMP 1/4W 5% 100	1065-0100
R18	RES CAR COMP 1/4W 5% 100	1065-0100
R19	RES CAR COMP 1/4W 5% 1K	1065-1001
R20	RES CAR COMP 1/4W 5% 1K	1065-1001
R21	NOT USED	
R22	NOT USED	

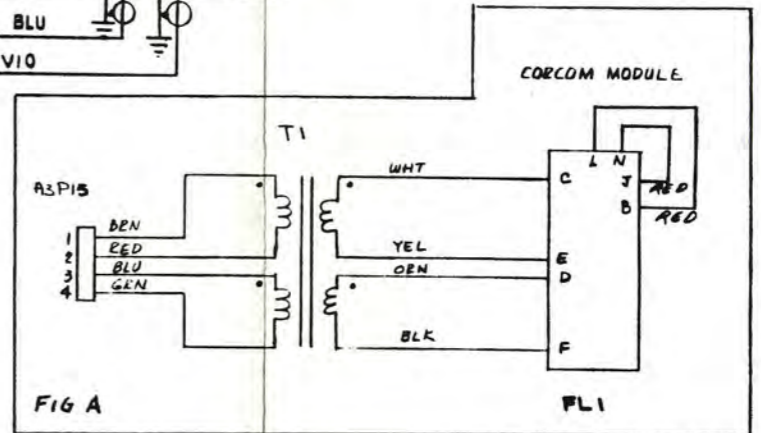
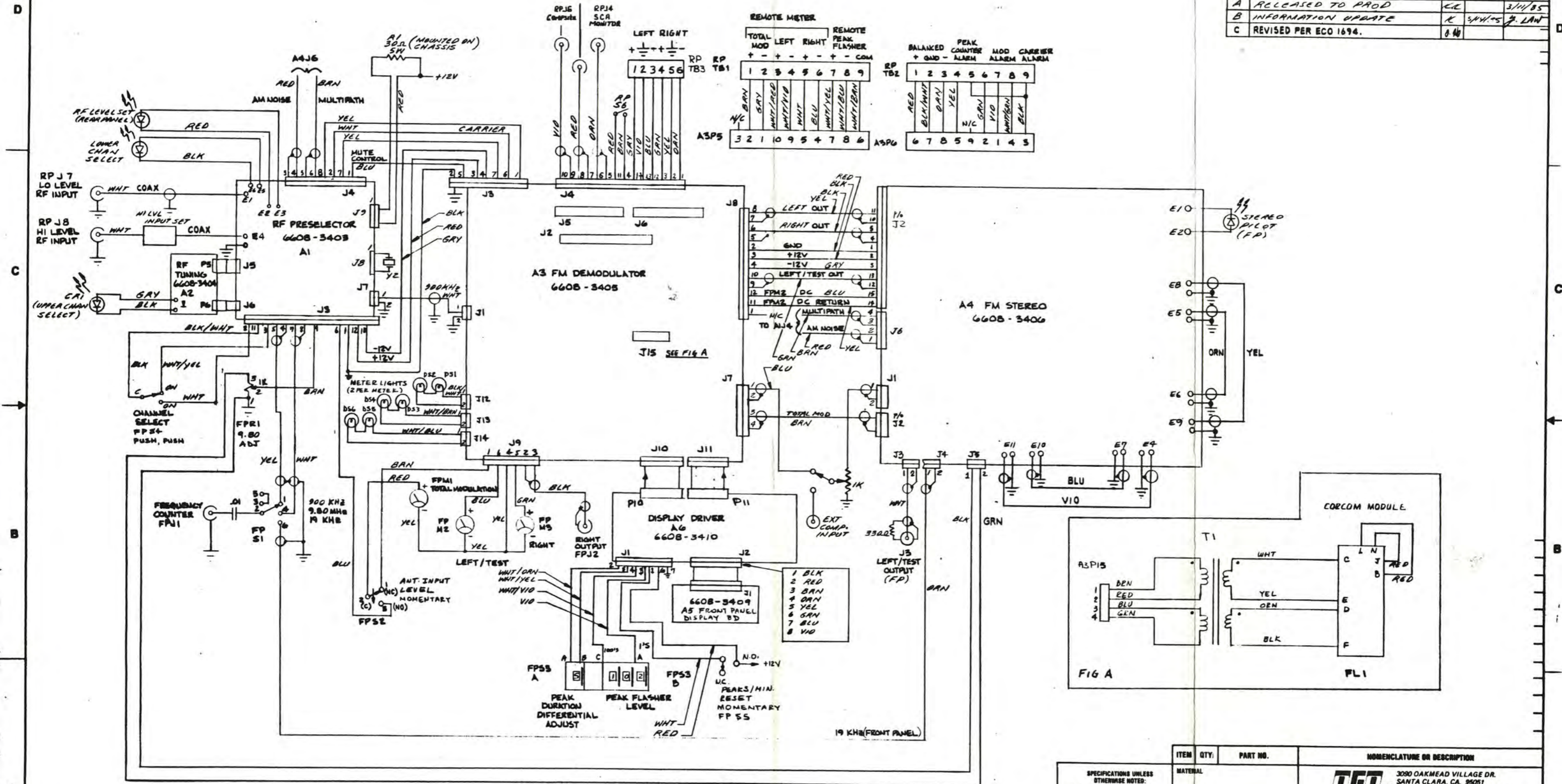
A7 ALARM (OPTION 01)

ASSEMBLY #. 6608-3411  
REV.# A

CKT.REF.	DESCRIPTION	TFT PART #
R23	NOT USED	
R24	NOT USED	
R25	NOT USED	
R26	NOT USED	
R27	NOT USED	
R28	NOT USED	
R29	NOT USED	
R30	NOT USED	
R31	NOT USED	
R32	NOT USED	
U1	IC LM741	1100-0741
U2	IC LM741	1100-0741
U3	NOT USED	
XU1	IC SOCKET 8 PINS	2250-1008
XU2	IC SOCKET 8 PINS	2250-1008

This document contains proprietary information and is delivered upon the expressed condition that it will not be used directly or indirectly in any way detrimental to the interest of TFT Inc.

REVISIONS				
REV	DESCRIPTION	DR	DATE	APPD
1	updated to latest schematics		2/3/85	JL
2	CHANGES		9-6-84	
3	EM-DESIGN			
A	RELEASED TO PROD	CC	3/11/85	
B	INFORMATION UPDATE	R	5/14/85	J. LAN
C	REVISED PER ECO 1694.			



ITEM	QTY	PART NO.	NOMENCLATURE OR DESCRIPTION
			<b>TFT</b> 3080 OAKMEAD VILLAGE DR. SANTA CLARA, CA. 95051 (408) 727-7272 TWX 910-338-0584
			<b>INTER - CONNECT DIAGRAM MODEL 844</b>
DR. BY		1/7/85	
CR. BY		3-21-85	
ENGR.		6/2/85	
MFR.			
Q.A.			

SPECIFICATIONS UNLESS OTHERWISE NOTED:  
 ANGULAR - ±  
 DECIMAL - 2 PLACE ±  
 3 PLACE ±  
 BREAK - .010MIN  
 SURFACE ROUGHNESS - MICROINCHES RMS MAX.  
 DIAMETERS - CONCENTRIC WITHIN .005 TIR  
 FILET RADIUS - MAX  
 THREADS - CLASS 2 MARK IN ACCORDANCE WITH TFT SPEC 5300-1000

844	5102-3393
MODEL	NEXT ASBY
APPLICATION	

If You Didn't Get This From My Site, Then It Was Stolen From...  
[www.SteamPoweredRadio.Com](http://www.SteamPoweredRadio.Com)