

FOR 240 VAC F1 SHOULD BE 1/2 OF 120 VAC FUSE RATING

T1 SIGNAL TRANSFORMER MODEL 326-0017 120/240 VAC INPUT 32VAC @ 2.5 AMPS OUT

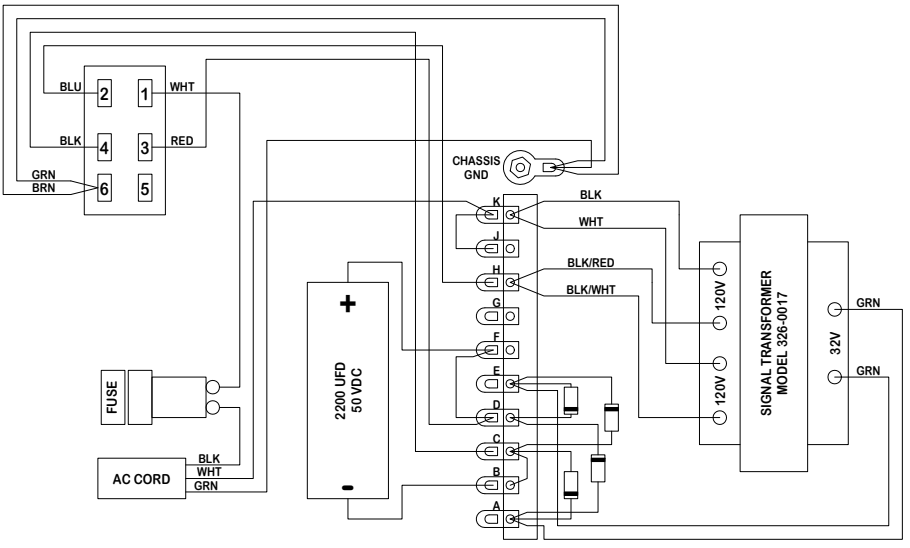
PLEASE READ:

THIS SCHEMATIC IS DRAWN FROM A SPARTA PS-8 POWER SUPPLY IN MY COLLECTION. IT IS A CETEC UNIT WITH SERIAL NUMBER 668. THE MANUFACTURERS TEST DATE IS 8/15/79. MY UNIT HAS HAD THE DIODES CHANGED OUT. I DO NOT KNOW WHAT THE ORIGINAL DIODES WERE. MY UNIT HAS 1N4004 WHICH ARE RATED FOR 1 AMP AND PROBABLY WRONG. MY UNIT ALSO HAS A 1 AMP SB FUSE, AGAIN WRONG.

SINCE MANUFACTURERS CAN CHANGE SPECS AND WIRING AT ANY TIME DURING A PRODUCTION CYCLE, USE THIS DRAWING AS A REFERENCE AND NOT THE GOSPEL TRUTH. YOUR CONSOLE MAY BE DIFFERENT! CHECK YOUR CONSOLES WIRING CAREFULLY! I AM NOT RESPONSIBLE FOR ANY DAMAGE THAT MAY OCCUR IF YOU FOLLOW THIS SCHEMATIC EXACTLY. AGAIN, THIS IS FOR REFERENCE ONLY AND DEPICTS THE UNIT I HAVE IN MY POSSESSION.

THAT SAID, THIS IS JUST A SIMPLE 2.5 AMP FULL WAVE RECTIFIED 40 VOLT DC POWER SUPPLY AND SHOULD BE EASILY DUPLICATED USING COMMON SENSE AND GOOD WIRING PRACTICES. IT DOES USE VOLTAGES THAT CAN BE LETHAL, SO CONSTRUCTION SHOULD BE UNDERTAKEN ONLY BY PERSONS WITH EXPERIENCE IN WIRING HIGH VOLTAGE PROJECTS!

WWW.STEAMPOWEREDRADIO.COM



COMPONENT LAYOUT

REDRAWN = DAVID WIGFIELD JULY 26, 2019

		TITLE	
		SPARTA PS-8 POWER SUPPLY	
DRAWN. SMU	DATE. 10-26-70	SHT OF	DWG. NO.
APPD. RKO	DATE.	1 1	T001-10

