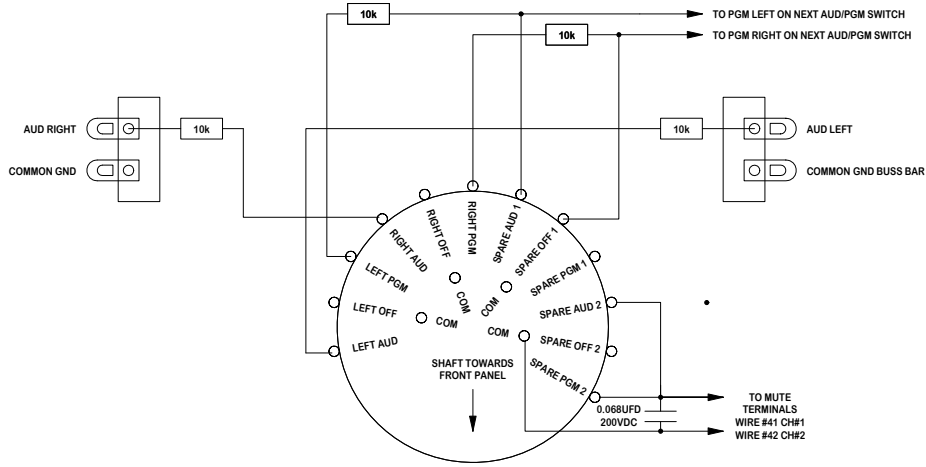
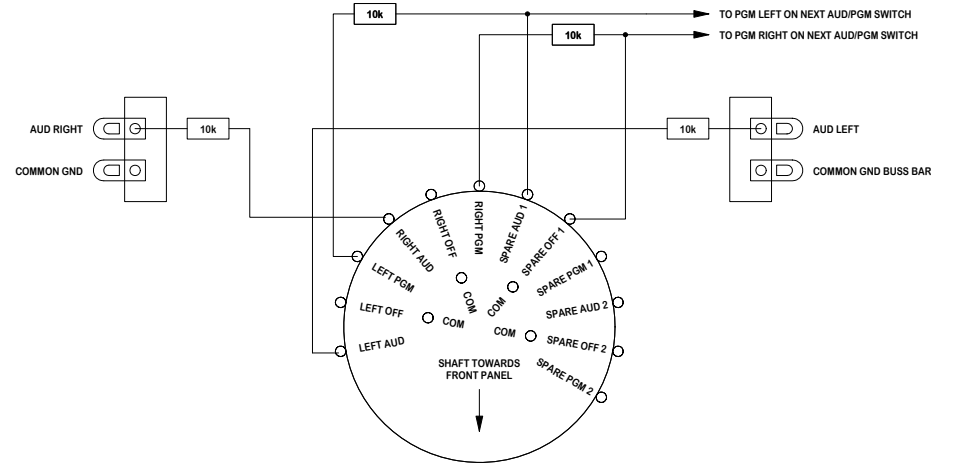


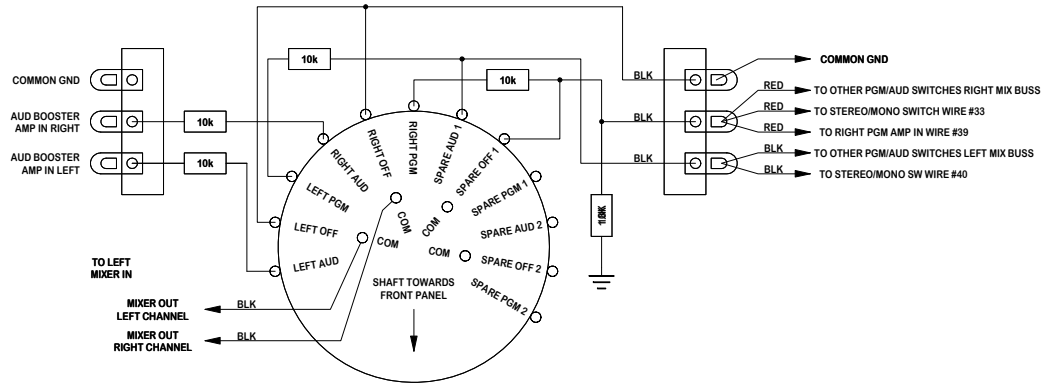
CHANNEL 1 (MIC) & CHANNEL 2 (MIC OR HI LEVEL) AUD/PGM SWITCH WIRING



CHANNEL 3 & 4 AUD/PGM SWITCH WIRING



CHANNEL 5 AUD/PGM SWITCH WIRING



- C** REDRAWN BY DAVID WIGFIELD 2-24-19
- B** THIS CONSOLE USES ALLEN BRADLEY DUAL 10K AUDIO TAPER POTS WITH Q
- A** THIS SCHEMATIC WAS DRAWN FROM SPARTA AS-30 CONSOLE SERIAL NUMBER 212. IT REFLECTS THE CONSOLE IN MY POSSESSION AND MAY OR MAY NOT BE REPRESENTATIVE OF ALL AS-30 CONSOLES MANUFACTURED BY SPARTA ELECTRONICS. THE DRAWING IS AS ACCURATE AS I CAN MAKE IT BUT IT MAY CONTAIN ERRORS THAT I DID NOT CATCH. USE CAUTION! I AM NOT RESPONSIBLE FOR ANY PROBLEMS YOU MAY ENCOUNTER WHEN USING THIS ON YOUR OWN CONSOLE! USE THIS DRAWING AT YOUR OWN RISK!

		TITLE	
		SPARTA AS30 AUDIO CONSOLE AUDITION/PROGRAM SWITCH WIRING	
DRAWN. <i>SMU</i>	DATE. <i>11-20-69</i>	SHT OF	DWG. NO.
APPD. <i>RKO</i>	DATE.	1 1	S-30C