

TM-152 AM STEREO TUNER

PLEASE READ BEFORE USING THIS EQUIPMENT



If You Didn't Get This From My Site,
Then It Was Stolen From...

www.SteamPoweredRadio.Com

REALISTIC[®]

The TM-152, a mini-sized Tuner, adds an exciting new dimension to your hi fi system . . . AM Stereo. Used with the Stereo Amplifier, Cat. No. 31-1955, you have a compact combination for mighty sound. With matching aluminum front panels they are harmonious in sight as well as sound.

Because of its line level outputs, this unit may also be used with a preamplifier, or a switching control center, that has line level or auxiliary inputs. This means your TM-152 may be incorporated with these components in an existing sound system.

WARNING: To reduce the risk of fire or electric shock, do not expose this appliance to rain or moisture.



CAUTION
RISK OF ELECTRIC SHOCK
DO NOT OPEN



CAUTION: TO REDUCE THE RISK OF ELECTRIC SHOCK, DO NOT REMOVE COVER (OR BACK). NO USER SERVICEABLE PARTS INSIDE. REFER SERVICING TO QUALIFIED SERVICE PERSONNEL.



The lightning flash with arrowhead symbol within an equilateral triangle is intended to alert the user to the presence of uninsulated "dangerous voltage" within the product's enclosure.



The exclamation point within an equilateral triangle is intended to alert the user to the presence of important operating and maintenance (servicing) instructions in the literature accompanying the appliance.

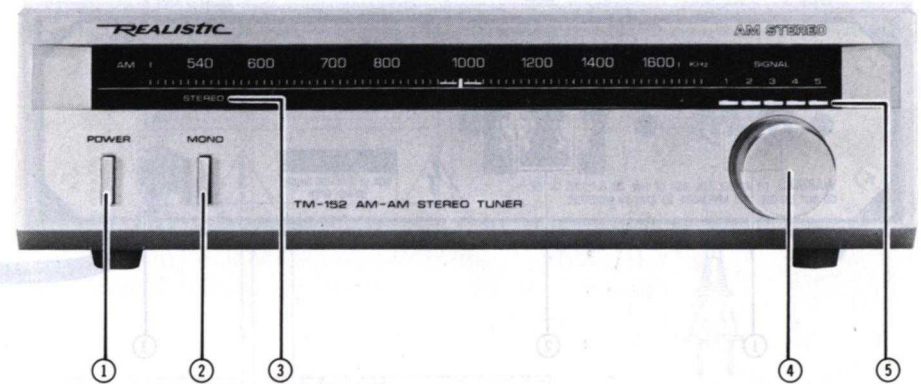
SPECIFICATIONS

Frequency Coverage 520 — 1620 kHz
Sensitivity 650 μ V/Meter nominal for 20 dB S+N/N
Output Level at RCA Jack 165 mV
Antenna Built-in Ferrite Bar Antenna

Stereo System Compatible with Motorola C-Quam stereo-encoded broadcasts
Power Requirements 120V AC, 60 Hz, 7 watts (240V AC, 50 Hz for the Unit purchased in Aust.)

Copyright 1985, Tandy Corporation

CONTROLS AND FUNCTIONS



① POWER

Push in to turn the tuner on. The dial will light. Press again to turn the tuner off.

② MONO Selector

To improve reception of monaural broadcasts, press it in. When tuning in stereo, leave it in the out position.

③ STEREO Indicator

With the MONO Switch in the out position, the indicator lights when you tune in Motorola C-Quam[®] encoded stereo broadcast.

④ TUNING Knob

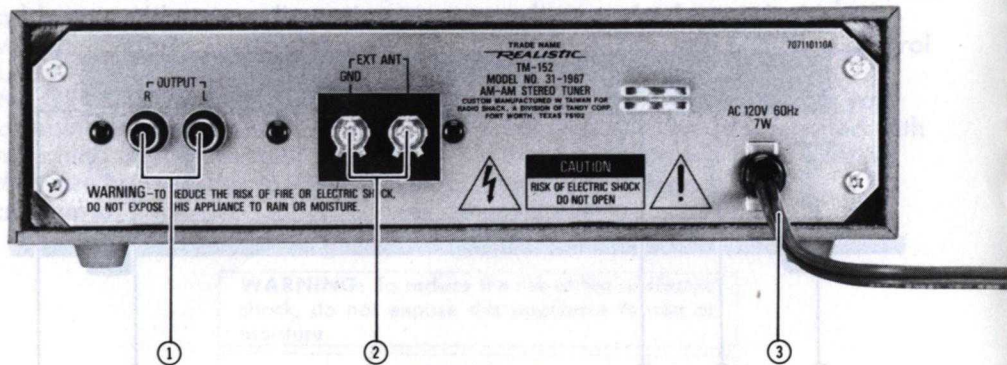
Rotate it to tune in stations.

⑤ SIGNAL Strength Meter

The meter consists of five LEDs for greater accuracy in tuning a broadcast.

Sometimes several of the LEDs will light, sometimes all five, depending on the strength of the signal. Experimenting a little with the tuning gives you an idea of the meter's capabilities.

Carefully, turn the Tuning Knob until the maximum number of LEDs light for the specific station.



① Left and Right OUTPUT

Connect a stereo audio cable from OUTPUT jacks to the input jacks of an amplifier.

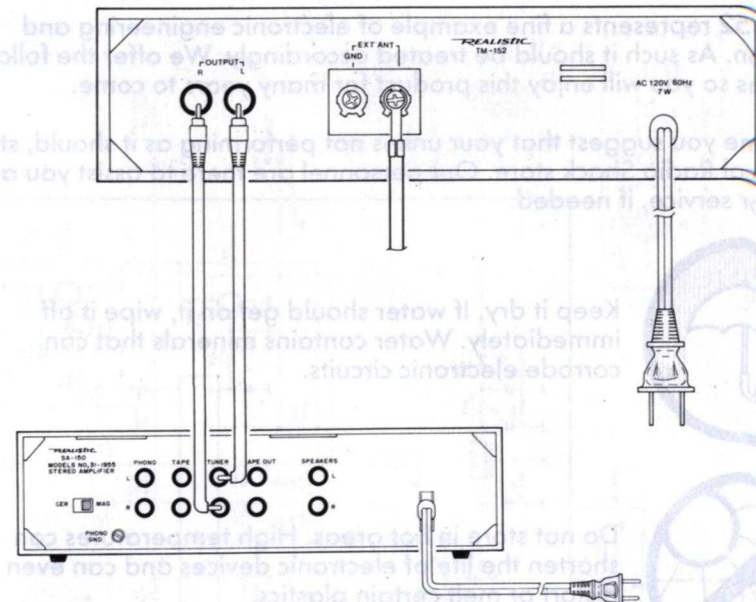
② AM ANTENNA Screw Terminals

Connect an external AM antenna to the screws for long-distance AM reception. If necessary, connect ground wire to GND terminal. In most areas, the built-in antenna will provide excellent reception.

③ AC Power Line Cord

Plug into standard AC household wall outlet.

CONNECTIONS



The TM-152 provides a high level output signal designed to feed into an amplifier or preamplifier, or switching control center, depending on your system's design.

Before making the connections, be sure the tuner and the other components involved in the connection, are turned off.

Using a shielded pair of audio cables that terminate in RCA type plugs, insert one end of one lead into the R OUTPUT jack on the Tuner. Connect the other end of the cable to the R INPUT jack or AUX jack on the amplifier, preamplifier, or switching tuner. Connect the L OUTPUT jack and L INPUT jack in the same way.

OPERATING HINTS

If you notice hum present in the signal, try reversing the position of the AC cord in the wall outlet. Also do not place audio cables right next to your AC Line Cord.

Your TM-152 has a built-in AM antenna. The antenna is capable of excellent reception under a wide

range of conditions. However, AM reception can vary depending upon your terrain, weather conditions, and the orientation of the antenna. It is also susceptible to external sources of interference. If you experience uneven reception, try rotating the tuner, if your installation will permit.

MAINTENANCE

Your TM-152 represents a fine example of electronic engineering and construction. As such it should be treated accordingly. We offer the following suggestions so you will enjoy this product for many years to come.

If at anytime you suggest that your unit is not performing as it should, stop by your local Radio Shack store. Our personnel are there to assist you and arrange for service, if needed.



Keep it dry. If water should get on it, wipe it off immediately. Water contains minerals that can corrode electronic circuits.



Do not store in hot areas. High temperatures can shorten the life of electronic devices and can even distort or melt certain plastics.



Do not drop your product. This will likely result in failure to operate. Circuit boards can crack and cases may not survive the impact. Handling your product roughly will shorten its useful life.

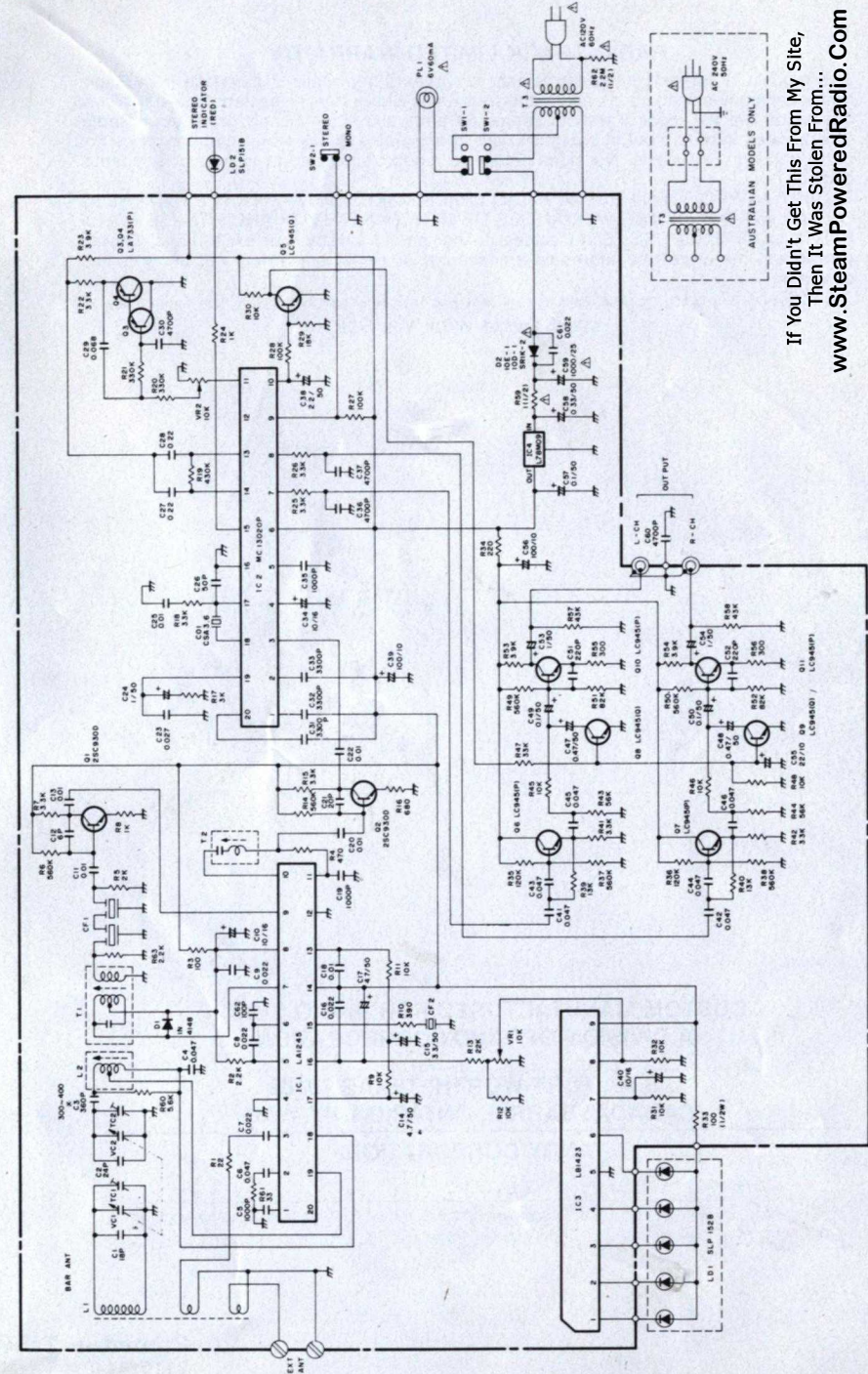


Do not use or store in areas of high levels of dirt or dust. The electronics may be contaminated. Any moving parts will wear prematurely.



Do not use harsh chemicals, cleaning solvents or strong detergents to keep your unit looking new. You need only wipe it with a dampened cloth from time to time.

SCHEMATIC DIAGRAM



Schematic subject to change without notice.
 In U.S., contact Tandy Electronics, National Parts Dept., Fort Worth, TX 76101
 In U.K., contact Tandy Electronics, National Parts Dept., Bliston Road, Worsborough, Wetherby, West Yorkshire LS10 7JN.
 In Australia, contact Tandy Australia Limited, National Parts Dept., 91 Kurragong Avenue, Mount Druitt, N.S.W. 2770.

NOTES: (1) ALL RESISTANCE VALUES ARE INDICATED IN "OHMS" (K=10³ OHMS, M=10⁶ OHMS).
 (2) ALL CAPACITANCE VALUES ARE INDICATED IN "µF" (P=10⁻⁸ µF).
 (3) MAY VARY FROM UNIT TO UNIT FOR BEST PERFORMANCE.

If You Didn't Get This From My Site,
 Then It Was Stolen From...
www.SteamPoweredRadio.Com

RADIO SHACK LIMITED WARRANTY

This product is warranted against defects for 2 years from date of purchase from Radio Shack company-owned stores and authorized Radio Shack franchisees and dealers. Within this period, we will repair it without charge for parts and labor. Simply **bring your Radio Shack sales slip** as proof of purchase date to any Radio Shack store. Warranty does not cover transportation costs. Nor does it cover a product subjected to misuse or accidental damage.

EXCEPT AS PROVIDED HEREIN, RADIO SHACK MAKES NO WARRANTIES, EXPRESS OR IMPLIED, INCLUDING WARRANTIES OF MERCHANTABILITY AND FITNESS FOR A PARTICULAR PURPOSE. Some states do not permit limitation or exclusion of implied warranties; therefore, the aforesaid limitation(s) or exclusion(s) may not apply to the purchaser.

This warranty gives you specific legal rights and you may also have other rights which vary from state to state.

We Service What We Sell

**CUSTOM MANUFACTURED FOR RADIO SHACK
A DIVISION OF TANDY CORPORATION**

**U.S.A.: FORT WORTH, TEXAS 76102
CANADA: BARRIE, ONTARIO L4M 4W5**

TANDY CORPORATION

AUSTRALIA

91 KURRAJONG AVENUE
MOUNT DRUITT, N. S. W. 2770

BELGIUM

PARC INDUSTRIEL
5140 NANINNE (NAMUR)

U. K.

BILSTON ROAD WEDNESBURY
WEST MIDLANDS WS10 7JN