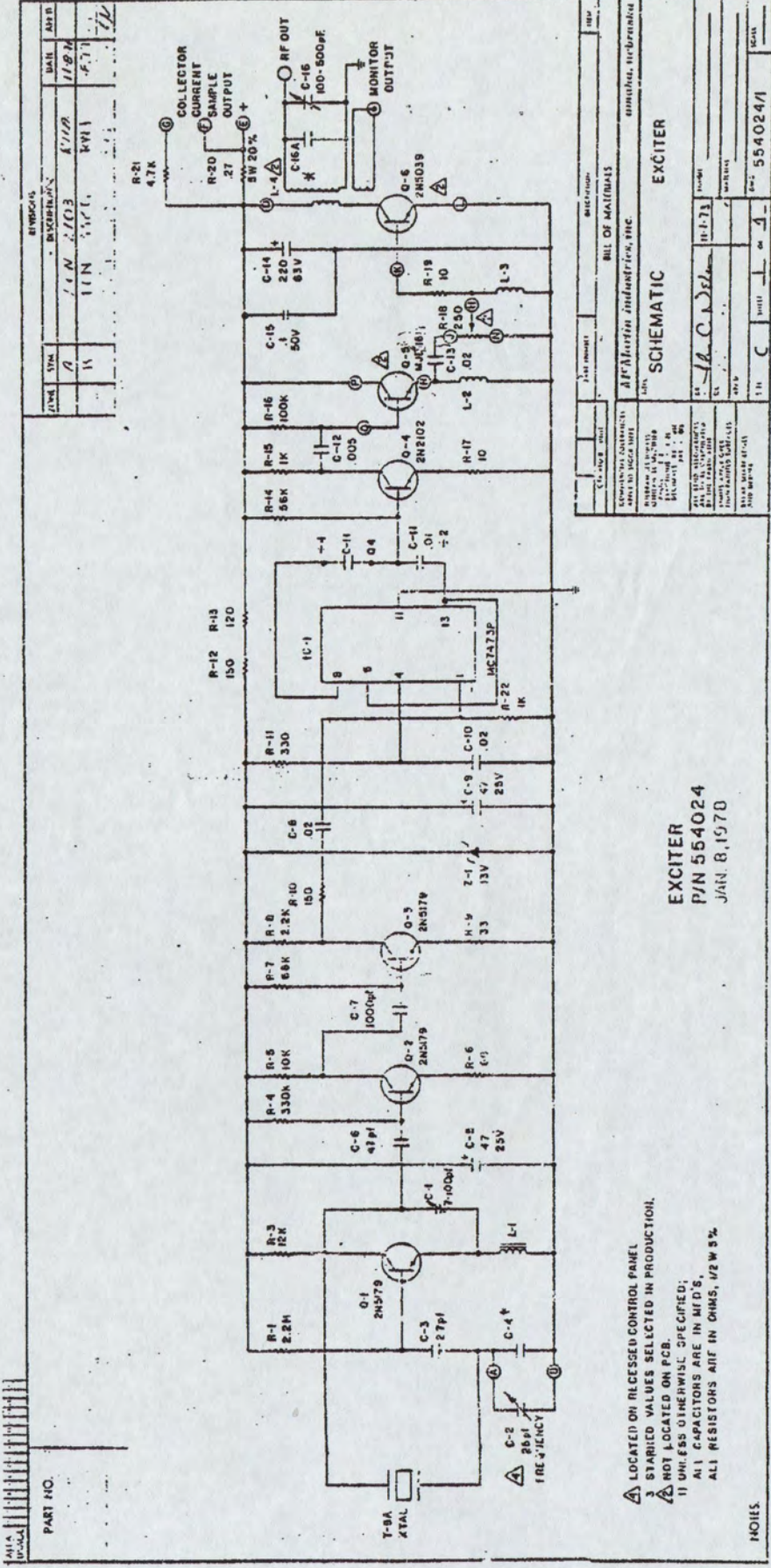


If You Didn't Get This From My Site,  
Then It Was Stolen From...  
www.SteamPoweredRadio.Com

4. FOR DOMESTIC USE CONNECT JUMPER FROM TB13-2 TO TB15-4. FOR INTERNATIONAL USE CONNECT TRANSFORMER DRAWING #90010 AS FOLLOWS (DO NOT USE JUMPER).  
5. \* VALUE SELECTED IN PRODUCTION.  
6. □ DENOTES FRONT PANEL FUNCTION.  
7. CAPACITORS IN P.F., RESISTORS IN OHMS, 1/2 WATT.  
NOTES: (UNLESS OTHERWISE SPECIFIED)

BA-1K  
MASTER SCHEMATIC  
000256  
June 30, 1981





DATE	REVISED	BY	APP'D
JAN 11 1970	11/88		
11N	11/88		
11N	11/88		

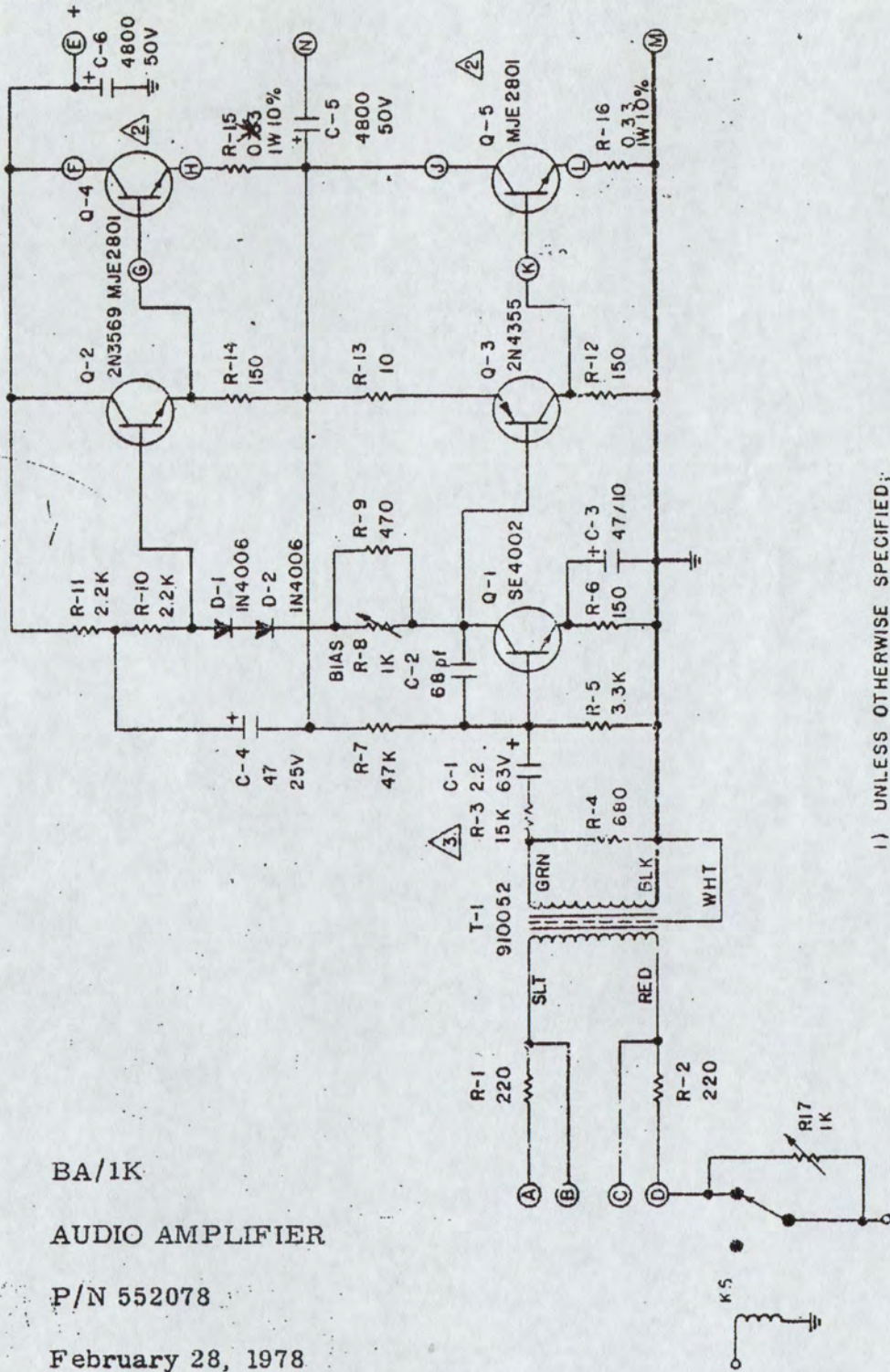
DATE	REVISED	BY	APP'D
JAN 11 1970	11/88		
11N	11/88		
11N	11/88		

**EXCITER**  
**P/N 554024**  
**JAN. 8, 1970**

BILL OF MATERIALS  
 ALMARTIN INDUSTRIES, INC.  
 SCHEMATIC  
 EXCITER  
 554024/1

- △ LOCATED ON RECESSED CONTROL PANEL
- 3 STARRED VALUES SELECTED IN PRODUCTION.
- △ NOT LOCATED ON PCB.
- 1) UNLESS OTHERWISE SPECIFIED;
- ALL CAPACITORS ARE IN MFD'S.
- ALL RESISTORS ARE IN OHMS, 1/2 W 5%

HOLES



BA/1K

AUDIO AMPLIFIER

P/N 552078

February 28, 1978

- 1) UNLESS OTHERWISE SPECIFIED;  
 ALL CAPACITORS ARE IN MFD'S,  
 ALL RESISTORS ARE IN OHMS, 1/2W ±5%  
 2) NOT MOUNTED ON P.C. BOARD.  
 NOTES: 3 ADJUST FOR SPECIFIED INPUT LEVEL.