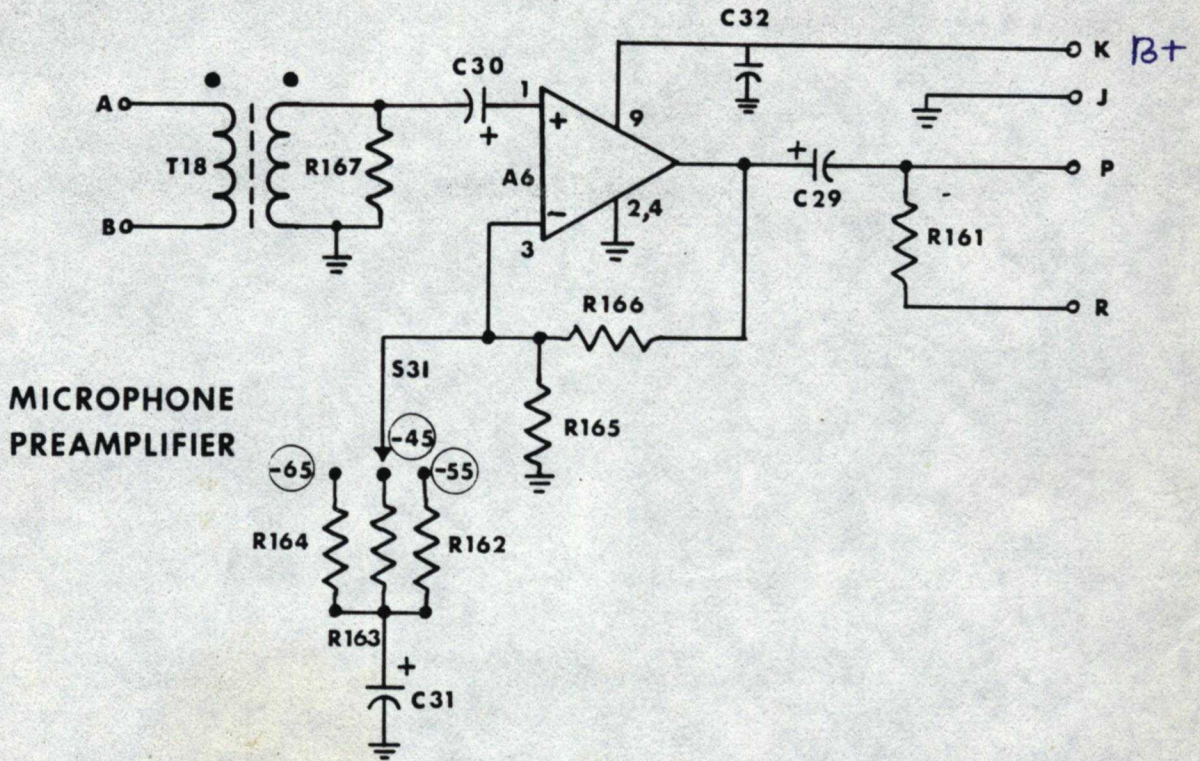
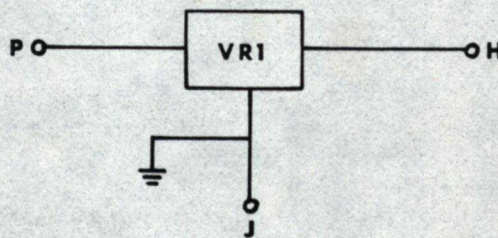


# Signature II SERIES PLUG-IN CIRCUITS



**VOLTAGE REGULATOR**



PARTS LIST

Signature II Series Plug-In Modules

Microphone Preamplifier  
(Variable Gain)

R161	Resistor, 10K ohm, 1/2 watt, +5%
R162	Resistor, 620 ohm, 1/2 watt, +5%
R163	Resistor, 3K ohm, 1/2 watt, +5%
R164	Resistor, 180 ohm, 1/2 watt, +5%
R165	Resistor, 6.8K ohm, 1/2 watt, +5%
R166	Resistor, 68K ohm, 1/2 watt, +5%
R167	Resistor, 10K ohm, 1/2 watt, +1%
C29	Capacitor, 15 $\mu$ f, 35 v dc tantalum
C30	Capacitor, 2.2 $\mu$ f, 50 v dc tantalum
C31	Capacitor, 100 $\mu$ f, 20 v dc tantalum
C32	Capacitor, 0.1 $\mu$ f, 50 v dc disc
A6	Op amp, LM381IC
T18	Transformer, Beyer TR/BV 351007004
S31	Toggle Switch, Alco MTA 206PA

Voltage Regulator  
(3-terminal type)

VR1	3-terminal Regulator, LPB part VR1
-----	------------------------------------