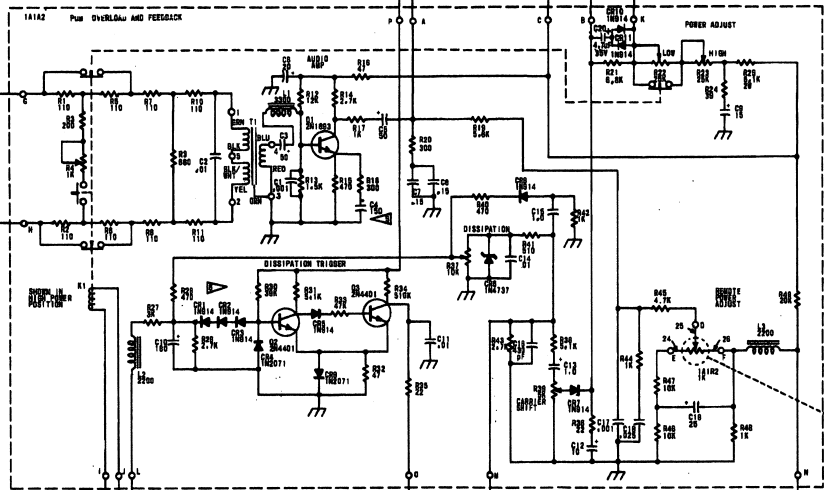
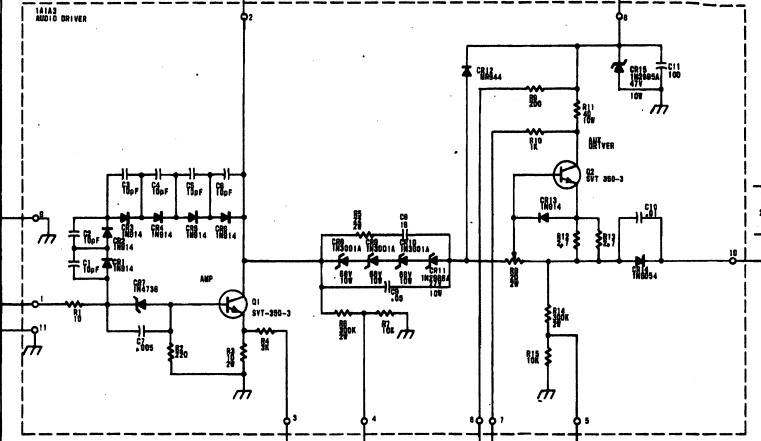
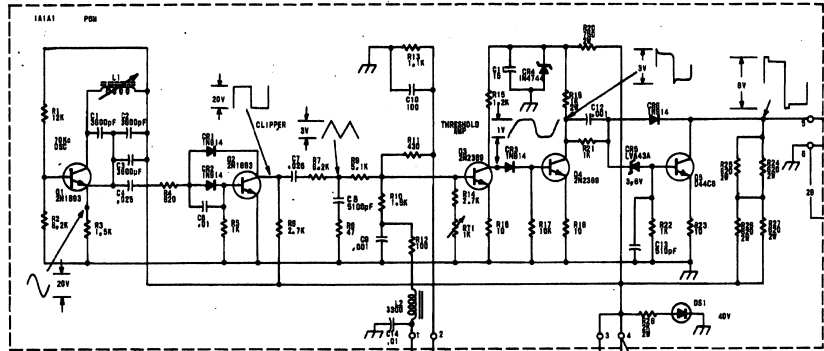
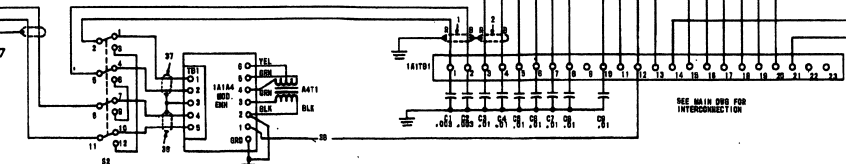


REV	DATE	BY	CHK	APP	REV	DATE	BY	CHK	APP
1	1/15/52	W. J.	1	1/15/52	W. J.
2	1/15/52	2	1/15/52
3	1/15/52	3	1/15/52
4	1/15/52	4	1/15/52



1. ALL DIMENSIONS IN INCHES UNLESS OTHERWISE SPECIFIED.
 2. DIMENSIONS IN PARENTHESIS ARE FOR REFERENCE ONLY.
 3. DIMENSIONS IN PARENTHESIS ARE FOR REFERENCE ONLY.
 4. DIMENSIONS IN PARENTHESIS ARE FOR REFERENCE ONLY.
 5. DIMENSIONS IN PARENTHESIS ARE FOR REFERENCE ONLY.
 6. DIMENSIONS IN PARENTHESIS ARE FOR REFERENCE ONLY.
 7. DIMENSIONS IN PARENTHESIS ARE FOR REFERENCE ONLY.
 8. DIMENSIONS IN PARENTHESIS ARE FOR REFERENCE ONLY.
 9. DIMENSIONS IN PARENTHESIS ARE FOR REFERENCE ONLY.
 10. DIMENSIONS IN PARENTHESIS ARE FOR REFERENCE ONLY.



SEE MAIN DWG FOR INTERCONNECTION

REV	DATE	BY	CHK	APP	REV	DATE	BY	CHK	APP
1	1/15/52	W. J.	1	1/15/52	W. J.
2	1/15/52	2	1/15/52
3	1/15/52	3	1/15/52
4	1/15/52	4	1/15/52

ALL DIM IN THIS DOCUMENT CONTAINS PROPRIETARY DATA OF HARRIS CORP.
 REPRODUCTION OR DISSEMINATION OF THIS DOCUMENT IS PROHIBITED.
 UNLESS OTHERWISE NOTED.

1A1A1 PWR	1A1A2 AUDIO DRIVER
1A1A2 PWR OVERLOAD AND FEEDBACK	INTERLOCK
1A1A1 PWR	1A1A2 AUDIO DRIVER
1A1A2 PWR OVERLOAD AND FEEDBACK	INTERLOCK

825-1851-005