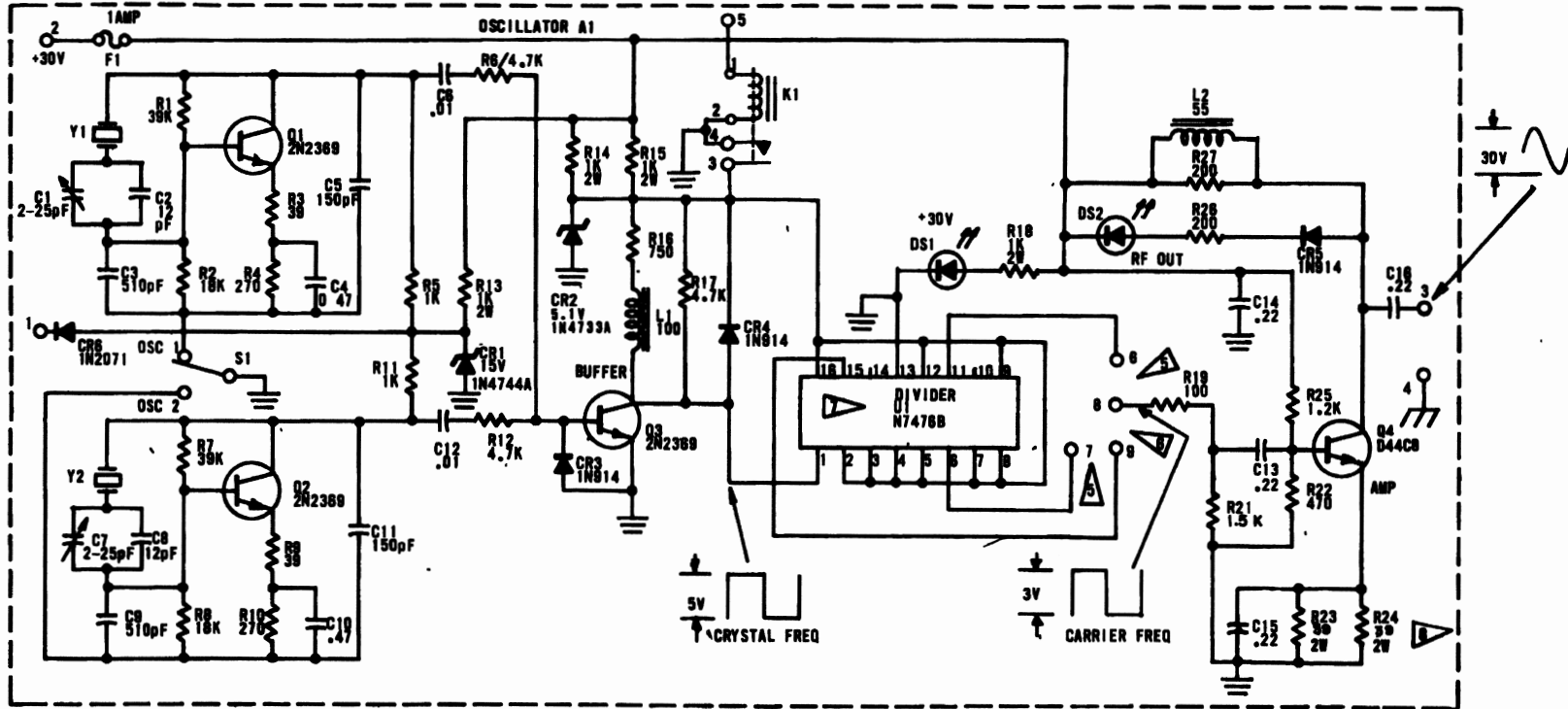


REV		DATE	REVISION	BY	ENG	ECN
M	A	11-27-73	REV PER ELN	GF	MC	24874
M	B	11-28-73	R23 + R24 WAS 47 NOW 39	CR	MC	27170



- ▷ R23, R24 MAY BE CHANGED TO 100 OHMS IN FINAL TEST
 ▷ DIVIDE BY 4 FROM 540 TO 1250KHZ
 ▷ DIVIDE BY 2 FROM 1251 TO 1600KHZ
 ▷ JUMPER TO DIVIDE BY 2 (0 TO 0)
 ▷ JUMPER TO DIVIDE BY 4 (0 TO 7, 8 TO 0)
 4. INDUCTANCE IN uH
 3. CAPACITANCE IN uF
 2. RESISTANCE IN OHMS
 1. RESISTORS ARE 1/2 WATT 5% UNLESS OTHERWISE NOTED.

QTY	ITEM	PART NUMBER	DESCRIPTION
<p>THIS DOCUMENT CONTAINS PROPRIETARY DATA OF HARRIS CORPORATION NO DISCLOSURE, REPRODUCTION, OR USE OF ANY PART THERE OF MAY BE MADE EXCEPT BY WRITTEN PERMISSION</p>			
<p>DR BY <i>GLC 9/2/78</i></p>		<p>TITLE SCHEMATIC</p>	
<p>CHKD <i>V. Knoll 5/25/78</i></p>		<p>OSCILLATOR BOARD,</p>	
<p>M E</p>		<p>COMMON DRIVE</p>	
<p>PROJ ENG <i>Ben 23718 MK</i></p>		<p>SCALE <i>1x</i></p>	
<p>MFG</p>		<p>REF. REC. <i>1x</i></p>	
<p>NEXT ASSY <i>994-8220-001</i></p>		<p>MAT'L <i>1x</i></p>	
<p>USED ON <i>994-8220-001</i></p>		<p>FIN <i>1x</i></p>	
<p>USED ON</p>		<p>DRG NO 859-4643-001</p>	
<p>USED ON</p>		<p>SHEET 1 OF 1</p>	
<p>USED ON</p>		<p>SCALE 001</p>	